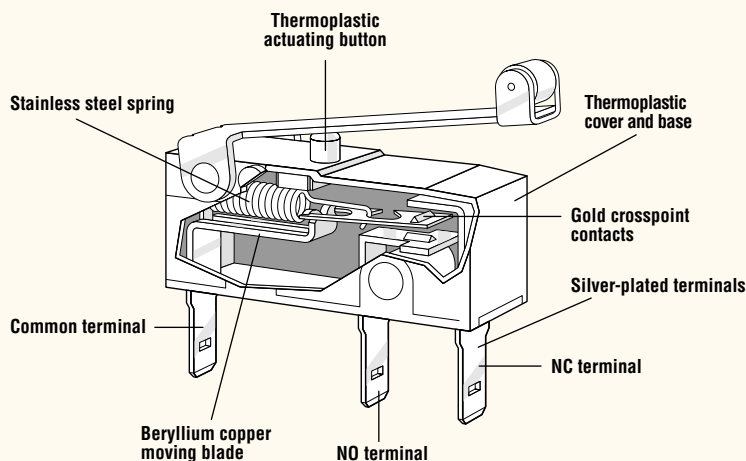


SUBMINIATURE DA Series

Features

- Long life coil spring construction
- Standard gold crosspoint contacts (0.1 amp) for low level switching applications
- Silver contact low voltage DAB version also available. Consult factory.
- Five standard terminals to choose from
- Automated assembly insures high quality and reliability
- Choice of external snap-on actuators
- Custom actuators available
- VDE approved



Electrical Ratings

| Switch Series | EN61058 Rating | UL1054 Rating | Electrical Life at Rated Load | |
|---------------|-------------------|---------------|------------------------------------|-----------------------------------|
| | | | According to VDE (Min. Operations) | According to UL (Min. Operations) |
| DA3 | 0.1(0.05)A, 50VAC | 0.1A, 125VAC | 50,000 | 100,000 |
| DAB | N/A | 5A, 24VDC | N/A | 6,000 |

Specifications

Electrical

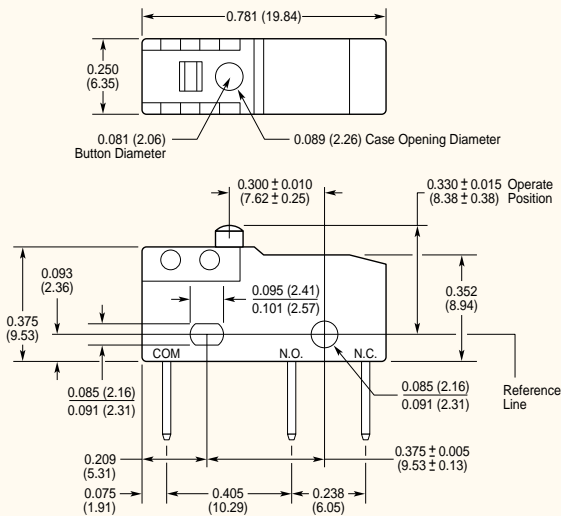
| | |
|----------------------|---------------|
| Temperature Rating: | -40° to +85°C |
| Flammability Rating: | UL94V-O |

Materials

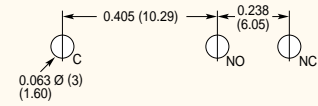
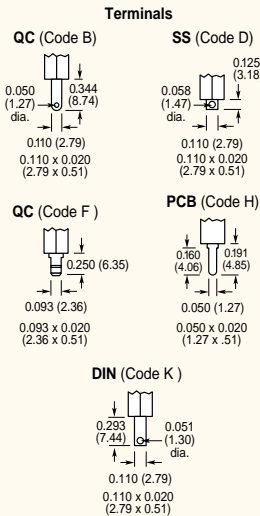
| | |
|---------------------|-------------------------------------|
| Case: | Thermoplastic Polyester |
| Actuating Button: | Thermoplastic Acetal |
| Terminals: | Silver-Plated Bronze |
| Moving Blade: | Silver-Plated Beryllium Copper |
| Spring: | Copper-Coated Stainless Steel |
| Auxiliary Actuator: | Stainless Steel |
| Roller: | Stainless Steel |
| Contacts: | Gold Crosspoint (DA3), Silver (DAB) |



Dimensions inches (mm)

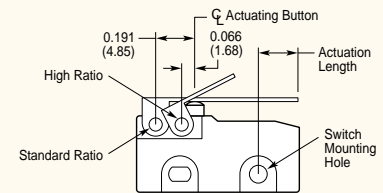


PCB Footprint



Actuators

Many special forms and lengths of actuators are available. External actuators can be snapped on in either of two locations (standard lever ratio or high lever ratio). Actuation lengths are dimensioned from centerline of switch mounting hole (see drawing).

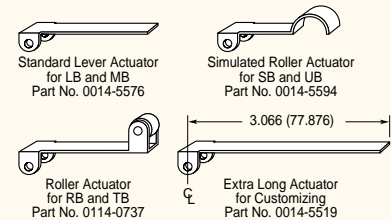


Actuator Specifications

| Actuator Type | Switch Type | Maximum Operating Force (gms.) | Maximum Pre-Travel inches (mm) | Operating Point inches (mm) | Minimum Over-Travel inches (mm) | Max. Movement Differential inches (mm) | Actuation Length inches (mm) |
|---------------|-------------|--------------------------------|--------------------------------|-----------------------------|---------------------------------|--|------------------------------|
| -AA | | 90 | 0.030 (0.76) | 0.330±0.015 (8.38±0.38) | 0.035 (0.89) | 0.007 (0.18) | — |
| -LB | | 27 | 0.144 (3.66) | 0.348±0.060 (8.84±1.52) | 0.054 (1.37) | 0.028 (0.71) | 0.271 (6.88) |
| -MB | | 9 | 0.416 (10.57) | 0.350±0.173 (8.90±4.39) | 0.078 (1.98) | 0.081 (2.06) | 0.396 (10.06) |
| -RB | | 30 | 0.131 (3.33) | 0.571±0.054 (14.50±1.37) | 0.046 (1.17) | 0.025 (0.64) | 0.201 (5.11) |
| -TB | | 10 | 0.379 (9.63) | 0.571±0.173 (14.50±4.39) | 0.067 (1.70) | 0.074 (1.88) | 0.326 (8.28) |
| -SB | | 30 | 0.131 (3.33) | 0.571±0.054 (14.50±1.37) | 0.046 (1.17) | 0.025 (0.64) | 0.197 (5.00) |
| -UB | | 10 | 0.379 (9.63) | 0.571±0.173 (14.50±4.39) | 0.067 (1.70) | 0.074 (1.88) | 0.322 (8.18) |

Ordering Actuators Separately

There are three standard actuators available, plus an extra long actuator which may be used for customizing forms and lengths. To order actuators for the DA3 Series Subminiature Switch, use the actuator part number shown. Actuators may be ordered separately and installed on switches as required.



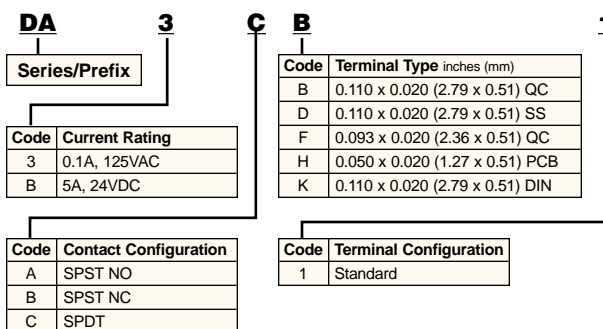
Circuitry

Contact arrangement available in choice of single pole double throw, or single pole single throw, either normally open or normally closed.

Mounting

Recommended mounting screw size: #2-56 round head. Recommended torque on screw: 2 inch lbs. max. (with flat washer min. 0.240" [6.10mm] outside diameter).

Ordering Information



| Code | Actuator Type | Actuation Length inches (mm) | | |
|------|---------------------------------|------------------------------|---------------|---------------|
| | | A | B | C |
| AA | Button | — | — | — |
| L | Lever Standard Ratio | 0.154 (3.91) | 0.271 (6.88) | 0.403 (10.24) |
| M | Lever High Ratio | 0.279 (7.09) | 0.396 (10.06) | 0.528 (13.41) |
| R | Roller Standard Ratio | -0.061 (-1.55) | 0.201 (5.11) | 0.330 (8.38) |
| T | Roller High Ratio | 0.064 (1.63) | 0.326 (8.28) | 0.455 (11.56) |
| S | Simulated Roller Standard Ratio | 0.110 (2.79) | 0.197 (5.00) | 0.258 (6.55) |
| U | Simulated Roller High Ratio | 0.235 (5.97) | 0.322 (8.18) | 0.383 (9.73) |

Actuation lengths are dimensioned from center line of switch mounting hole. Refer to dimensional drawing.