

\*ROHS COMPLIANT

**BOURNS®**

## Features

- Contact type: contact spring
- Variety of lever lengths
- Additional models and versions available

# 1543 - Push Switch

### Characteristics

Switch Travel.....0.6 to 0.8 mm  
 Actuating Force.....0.8 to 2.4 N  
 Bounce Time .....45 µsec. max.  
 Switch Function .....1 pole push switch  
 Switch Rating .....24 V/0.01 A  
                                   without inductive load  
 Temperature Range.....-25 °C to +70 °C  
 Switch Life .....50,000 clicks

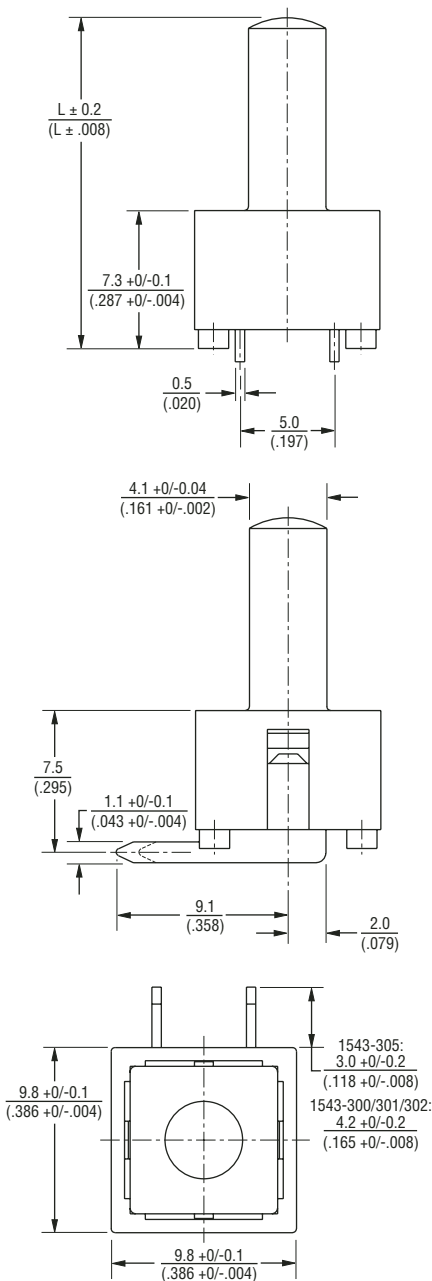
### How to Order

**1543 - 300 - 113**

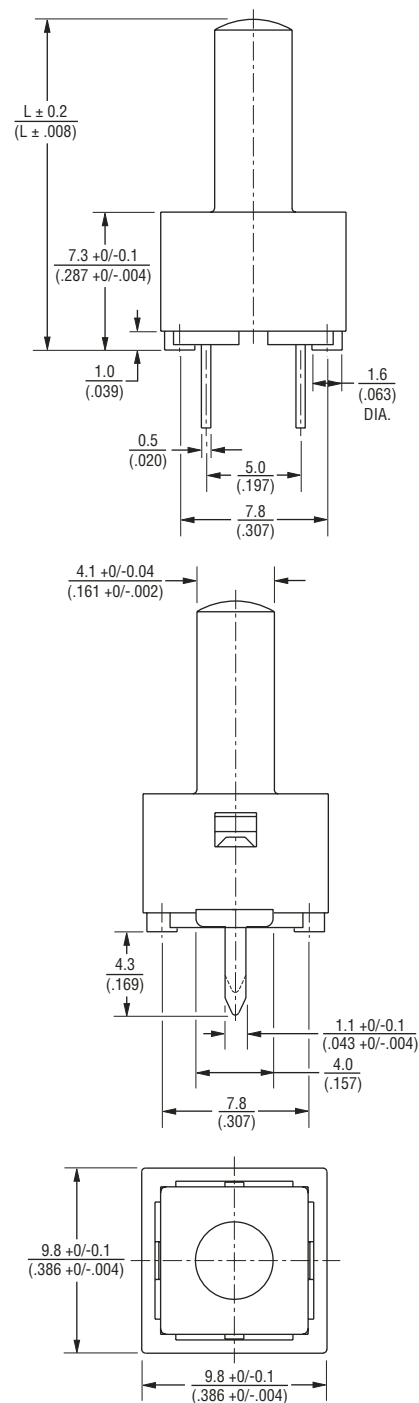
- Model Type \_\_\_\_\_  
 • 1543
- Terminal & Lever Style \_\_\_\_\_  
 • 300  
 • 650  
 Other versions available upon request.
- Lever Length \_\_\_\_\_  
 113 = 11.3 mm  
 130 = 13.0 mm  
 135 = 13.5 mm  
 149 = 14.9 mm  
 185 = 18.5 mm  
 200 = 20.0 mm  
 Other lengths available upon request.
- Other versions available upon request.

### Product Dimensions

#### 1543-300



#### 1543-650



DIMENSIONS ARE:  $\frac{\text{MM}}{\text{(INCHES)}}$



**Asia-Pacific:**  
 Tel: +886-2 2562-4117  
 Fax: +886-2 2562-4116

**Europe:**  
 Tel: +41-41 768 5555  
 Fax: +41-41 768 5510

**The Americas:**  
 Tel: +1-951 781-5500  
 Fax: +1-951 781-5700  
[www.bourns.com](http://www.bourns.com)

REV. 06/08

\*RoHS Directive 2002/95/EC Jan 27 2003 including Annex  
 Specifications are subject to change without notice.  
 Customers should verify actual device performance in their specific applications.