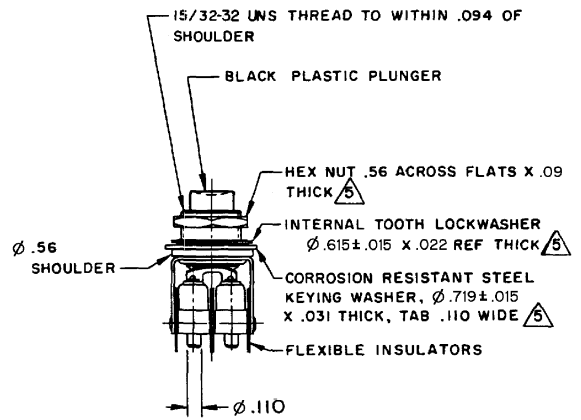
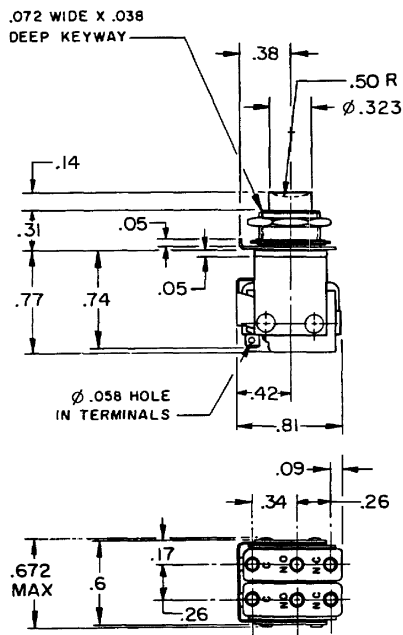


HONEYWELL  
PART NUMBER  
2PB1000

REV	DOCUMENT	CHANGED BY	CHECK
B	0051698	MBN 29APR09	CMH

CHARACTERISTICS:  
OPERATING FORCE: 1 1/2 LB APPROX

ELECTRICAL DATA:  
CONTACT ARRANGEMENT: S P D T (2)  
250 VAC : 5 AMP  
30 VOLTS DC RATING  
INDUCTIVE --- SEA LEVEL --- 3 AMP  
50,000 FT --- 2.5 AMP  
RESISTIVE --- SEA LEVEL --- 5 AMP  
50,000 FT --- 5 AMP  
MAXIMUM INRUSH ----- 24 AMP



- NOTES  
1 - UNIT INCLUDES CAT. LIST, "ISM" TYPE BASIC SWITCH (2)  
2 - TERMINALS ARE PLATED FOR SOLDERING  
3 - BASIC SWITCHES OPERATE WITHIN .008 OF EACH OTHER (PUSHBUTTON PLUNGER TRAVEL)  
4 - UNIT WILL PERFORM SATISFACTORILY IN TEMPERATURES TO MINUS 65°F  
△ MOUNTING HARDWARE FURNISHED UNASSEMBLED

DESIGN UNITS: INCH	DRAWN	SPK	20APR05
TOLERANCES UNLESS NOTED:	CHECK	AK	20APR05
NO PLACE X ± -	THIS DRAWING COVERS A PROPRIETARY ITEM AND IS THE PROPERTY OF HONEYWELL. THIS DRAWING IS NOT TO BE COPIED OR USED WITHOUT THE PERMISSION OF HONEYWELL.		
ONE PLACE .X ± 0.030	INTERPRET PER ASME Y14.5M-1994 OTHER HONEYWELL ENGINEERING STANDARDS MAY APPLY		
TWO PLACE .XX ± 0.015	THIRD ANGLE PROJECTION		
THREE PLACE .XXX ± 0.005	RASTER		
FOUR PLACE .XXXX ± -			
ANGLES ± -			

<b>Honeywell</b>			
TITLE ASSEMBLY, PUSH BUTTON SWITCH			
SIZE	TYPE	DRAWING NAME	REV
B	I	2PB1000	B
SCALE	NONE	SHEET	1 OF 1

RAW MATERIAL : COMMERCIAL STANDARD