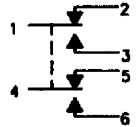


MICRO SWITCH
a Honeywell Division

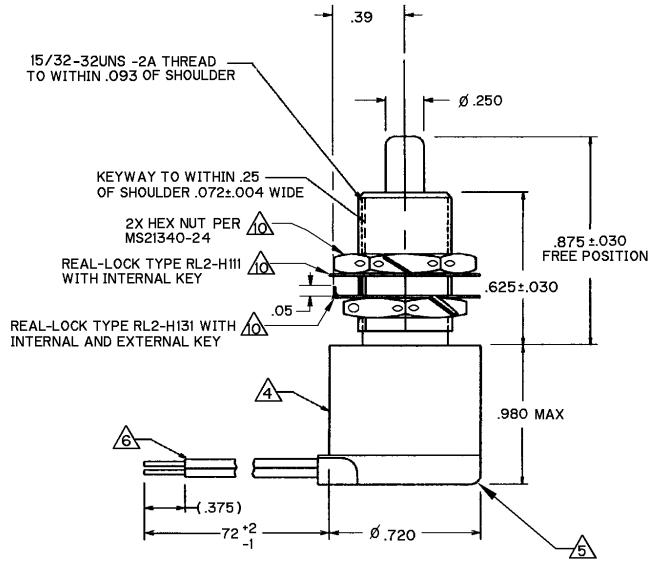
SWITCH - ENCLOSED

CATALOG LISTING
ML-1491

FED. WFS. CODE 81929



CIRCUIT DIAGRAM



NOTES

- 1 - COINCIDENCE OF OPERATION AND RELEASE POINTS 0.010 OF PLUNGER TRAVEL
- 2 - CORROSION RESISTANT STEEL ENCLOSURE AND PLUNGER
- 3 - SWITCH SEALED PER MIL-PRF-8805 SYMBOL 4
- 4 - CIRCUIT DIAGRAM, CATALOG LISTING AND DATECODE ARE SHOWN ON NAMEPLATE
- 5 - PLASTIC MATERIALS SHALL CONFORM TO MIL-M-14 OR MIL-W-24519
- 6 - NO. 20 LEADWIRE PER MIL-22759/7 WITH CIRCUIT IDENTIFICATION AND WIRE GAGE (1-20, 2-20 ETC) PER MIL-W-5088
- 7 - MINIMUM MECHANICAL LIFE 100,000 CYCLES
- 8 - MINIMUM ELECTRICAL LIFE 25,000 CYCLES AT RATED LOAD
- 9 - TEMPERATURE:
MECHANICAL LIFE -67° F TO +300° F
ELECTRICAL LIFE -67° F TO +257° F
- 10 - HARDWARE MAY BE PACKAGED UNASSEMBLED PER MIL-PRF-8805
- 11 - SHOCK PER MIL-PRF-8805, SYMBOL M
- 12 - SINUSOIDAL VIBRATION PER MIL-PRF-8805, GRADE 1
- 13 - RANDOM VIBRATION PER ML SERIES SWITCH

ANSI Y14.5M-1982 APPLIES

THIS DRAWING COVERS A PROPRIETARY ITEM AND IS THE PROPERTY OF MICRO SWITCH, A DIVISION OF HONEYWELL. THIS DRAWING IS NOT TO BE COPIED OR USED WITHOUT THE APPROVAL OF MICRO SWITCH

THIRD ANGLE PROJECTION



DO NOT SCALE PRINT

CHARACTERISTICS	ELECTRICAL DATA		SCALE
OPERATING FORCE - - - - - 6-12 LBS	CONTACT ARRANGEMENT		2:1
FULL OVERTRAVEL FORCE - - - 30 LBS MAX	2X SPDT		UNLESS OTHERWISE SPECIFIED TOLERANCES ARE
RELEASE FORCE - - - - - 4 LBS MIN	LOAD (AMPS)	28 VDC	ONE PLACE (.01) ± .030
PRETRAVEL - - - - - .040 MAX	SEA LEVEL	50,000 FT	TWO PLACE (.001) ± .015
DIFFERENTIAL TRAVEL - .020 MAX	RES	1.0	THREE PLACE (.000) ± .005
OVERTRAVEL - - - - - .125 MIN	IND	1.0	ANGLES ± 4°
			WEIGHT

CATALOG LISTING
ML-1491
 ISSUE 1
 M
 PAGE 1 OF 1
 RELEASE NO. 202384
 REVISIONS
 CHECK
 SAV
 14 FEB 01
 CHECK
 RASTER
 DRAWN
 C S L 14 FEB 01