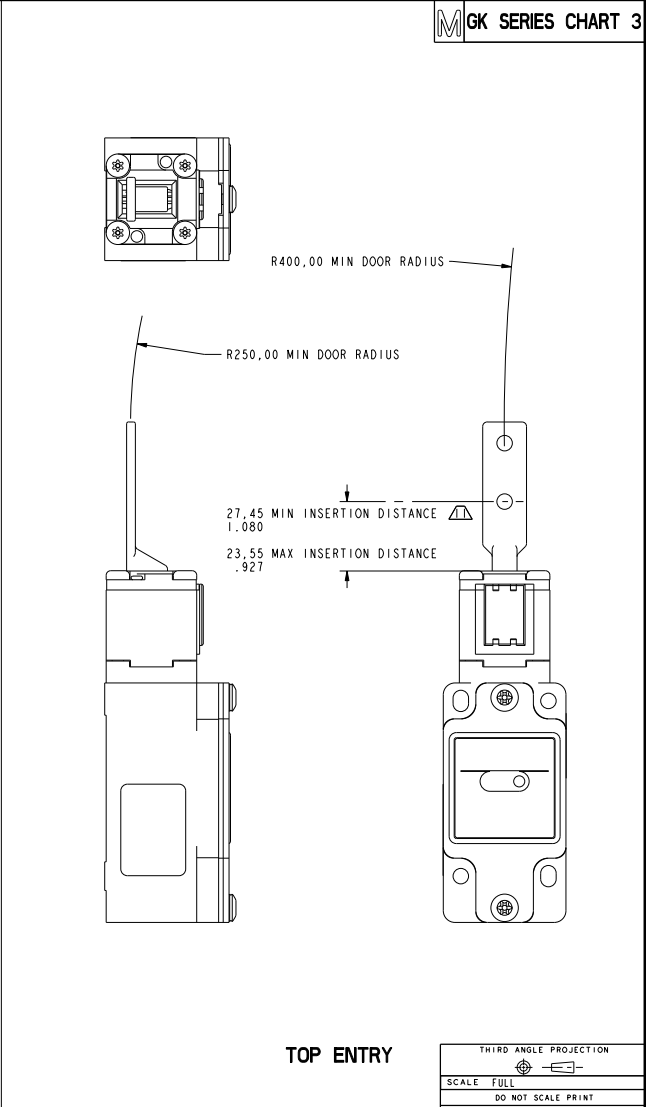


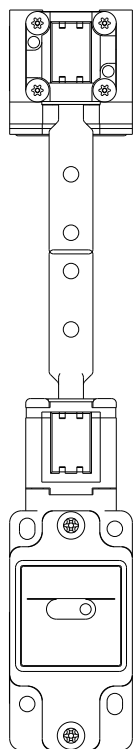
FRONT ENTRY



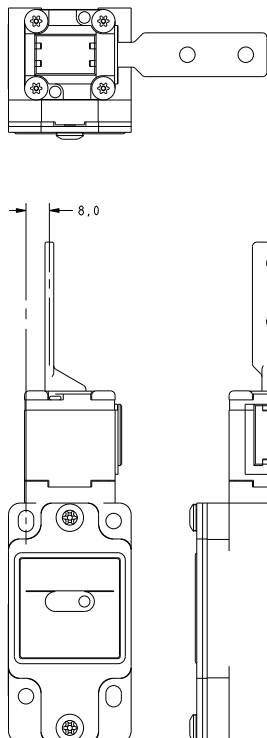
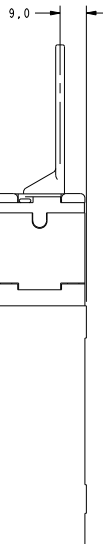
TOP ENTRY

P.T.C./CAD 30
REV. 01 JAN 09
REV. 02 SEP 08
REV. 03 JUL 96
REV. 04 APR 95
REV. 05 MAR 95
REV. 06 FEB 95
REV. 07 DEC 94
REV. 08 NOV 94
REV. 09 OCT 94
REV. 10 SEP 94
REV. 11 AUG 94
REV. 12 JUL 94
REV. 13 JUN 94
REV. 14 MAY 94
REV. 15 APR 94
REV. 16 MAR 94
REV. 17 FEB 94
REV. 18 JAN 94
REV. 19 DEC 93
REV. 20 NOV 93
REV. 21 OCT 93
REV. 22 SEP 93
REV. 23 AUG 93
REV. 24 JUL 93
REV. 25 JUN 93
REV. 26 MAY 93
REV. 27 APR 93
REV. 28 MAR 93
REV. 29 FEB 93
REV. 30 JAN 93

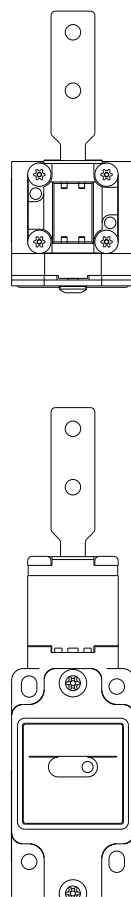
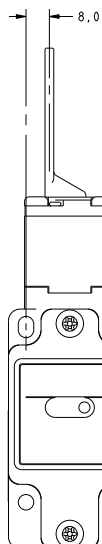
MICRO SWITCH a Honeywell Division FED. MFG. CODE 91828	SWITCH - LIMIT	THIS DRAWING COVERS A PROPRIETARY ITEM AND IS THE PROPERTY OF MICRO SWITCH, A DIVISION OF HONEYWELL. THIS DRAWING IS NOT TO BE COPIED OR USED WITHOUT THE APPROVAL OF MICRO SWITCH.
		CATALOG LISTING
		ANSI Y14.5M-1982 APPLIES
		THIRD ANGLE PROJECTION
		SCALE FULL
DO NOT SCALE PRINT		
UNLESS OTHERWISE SPECIFIED TOLERANCES ARE		
ONE PLACE	± .01	± .030
TWO PLACES	± .001	± .015
THREE PLACES	± .0001	± .005
ANGLES		±
WEIGHT APPROX .5 KG / 1 LB		



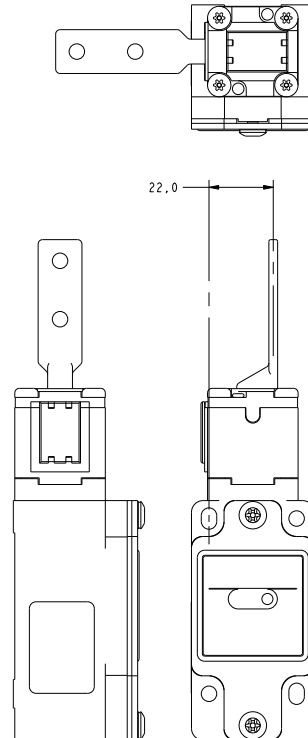
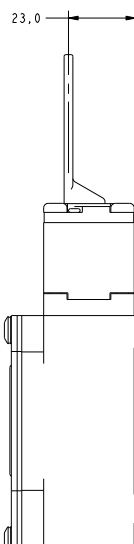
HEAD CODE L



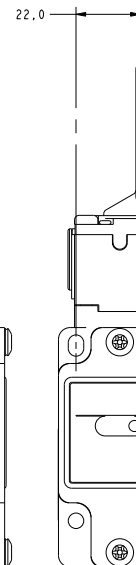
HEAD CODE M



HEAD CODE N



HEAD CODE P



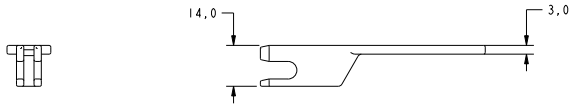
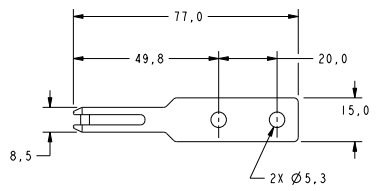
ISSUE 30
 MICRO SWITCH
 GK SERIES CHART 3
 PAGE 3 OF 8
 REVISED 01 JAN 09
 RS
 21 SEP 06
 DW
 13 AUG 08
 JNF
 72 MAY 93
 P.T.C./CAD 30
 MAM

MICRO SWITCH
 a Honeywell Division
 SWITCH - LIMIT
 CATALOG LISTING
 GK SERIES CHART 3
 THIS DRAWING COVERS A PROPRIETARY ITEM AND IS THE PROPERTY OF MICRO SWITCH, A DIVISION OF HONEYWELL. THIS DRAWING IS NOT TO BE COPIED OR USED WITHOUT THE APPROVAL OF MICRO SWITCH.
 ANSI Y14.5M-1982 APPLIES
 FED. MFG. CODE 91329

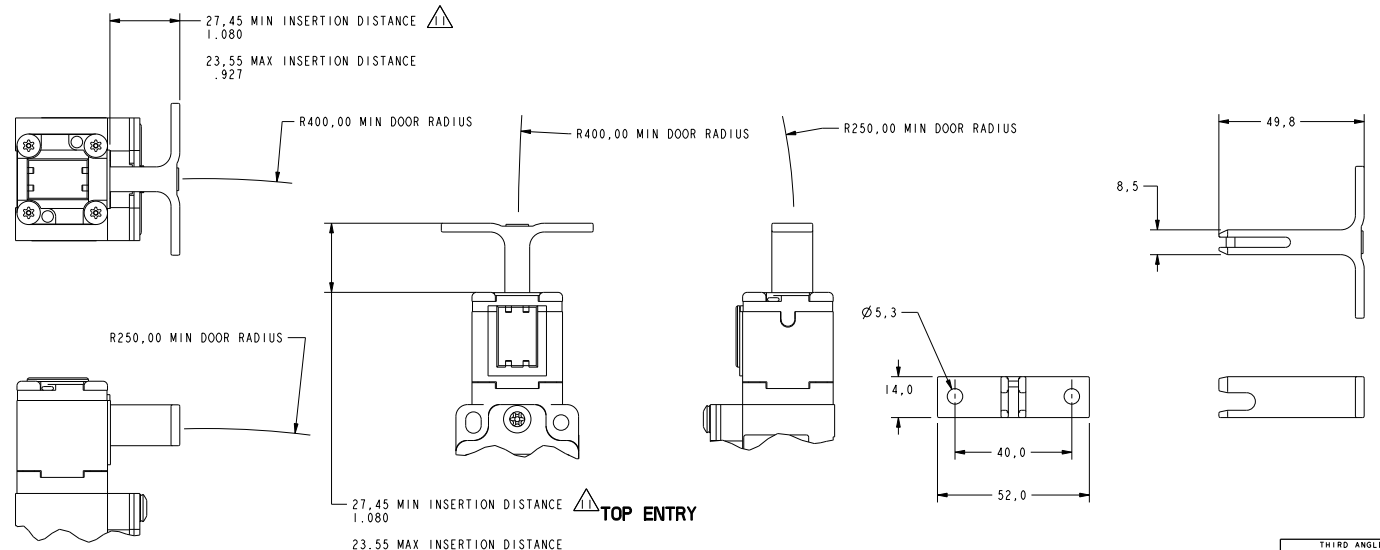
THIRD ANGLE PROJECTION		
SCALE FULL		
DO NOT SCALE PRINT		
UNLESS OTHERWISE SPECIFIED TOLERANCES ARE		
ONE PLACE	(.01)	±.030
TWO PLACES	(.001)	±.015
THREE PLACES	(.000)	±.005
ANGLES		±
WEIGHT APPROX .5 HG / 1 LB		

P.T.C./CAD 30
 MAN 131 AUG 88
 REV 100
 ISSUE 00
 M
 GK SERIES CHART 3
 PART 4 OF 8
 07 JAN 83
 RS
 21 SEP 82
 DM
 208974
 208975
 208976
 208977
 208978
 208979
 208980
 208981
 208982
 208983
 208984
 208985
 208986
 208987
 208988
 208989
 208990
 208991
 208992
 208993
 208994
 208995
 208996
 208997
 208998
 208999
 209000

M GK SERIES CHART 3



KEY CODE 6



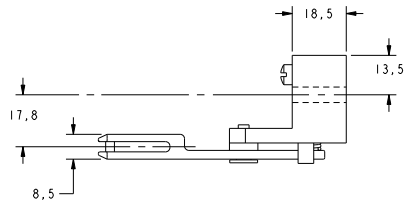
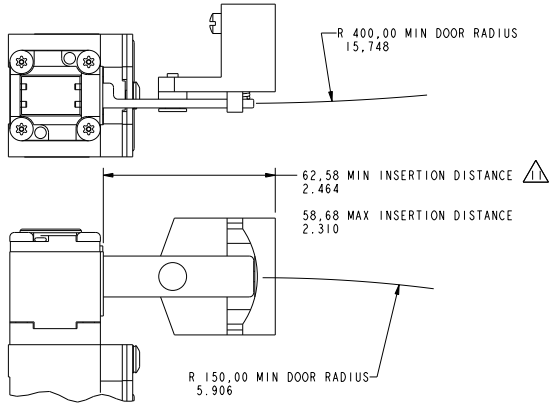
FRONT ENTRY

KEY CODE 7

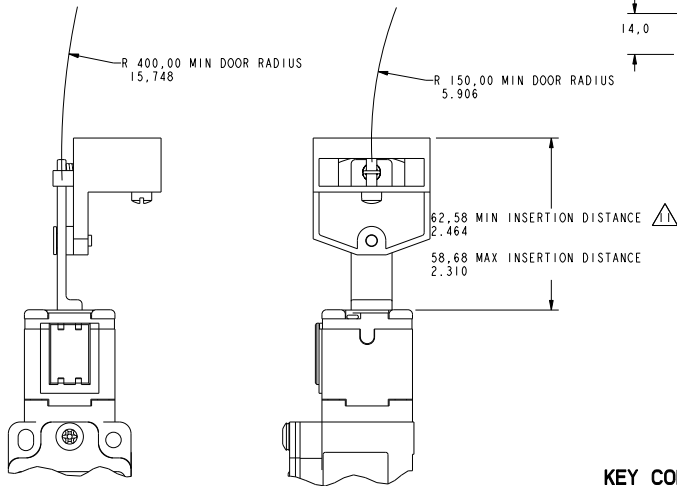
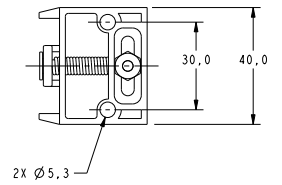
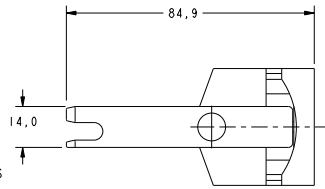
THIS DRAWING COVERS A PROPRIETARY ITEM AND IS THE PROPERTY OF MICRO SWITCH, A DIVISION OF HONEYWELL. THIS DRAWING IS NOT TO BE COPIED OR USED WITHOUT THE APPROVAL OF MICRO SWITCH.
MICROSWITCH
 a Honeywell Division
SWITCH - LIMIT
 CATALOG LISTING
GK SERIES CHART 3

THIRD ANGLE PROJECTION		
SCALE FULL		
DO NOT SCALE PRINT		
UNLESS OTHERWISE SPECIFIED TOLERANCES ARE		
ONE PLACE	(.01)	±.030
TWO PLACES	(.00)	±.015
THREE PLACES	(.000)	±.005
ANGLES		±
WEIGHT APPROX .5 KG / 1 LB		

ANSI Y14.5M-1982 APPLIES



FRONT ENTRY



TOP ENTRY

KEY CODE 8

THIS DRAWING COVERS A PROPRIETARY ITEM AND IS THE PROPERTY OF MICRO SWITCH, A DIVISION OF HONEYWELL. THIS DRAWING IS NOT TO BE COPIED OR USED WITHOUT THE APPROVAL OF MICRO SWITCH.

MICROSWITCH
a Honeywell Division

SWITCH - LIMIT

CATALOG LISTING
GK SERIES CHART 3

THIRD ANGLE PROJECTION		
SCALE FULL		
DO NOT SCALE PRINT		
UNLESS OTHERWISE SPECIFIED TOLERANCES ARE		
ONE PLACE	(.01)	± .030
TWO PLACES	(.001)	± .015
THREE PLACES	(.0001)	± .005
ANGLES		±
WEIGHT APPROX .5 KG / 1 LB		

ANSI Y14.5M-1982 APPLIES

FED. MFG. CODE 91829

ISSUE 30
 REV. 5 OF 8
 DATE 21 SEP 88
 P.T.C./CAD 130
 DRAWN 11 SEP 88
 CHECKED JNF 12 MAY 93
 APPROVED JNF 12 MAY 93
 DATE 21 SEP 88
 MICROSWITCH
 HONEYWELL
 GK SERIES CHART 3
 PART NO. 208174
 TYP. 208174
 DIM. 208174
 MFG. 208174
 C. 208174
 D. 208174
 E. 208174
 F. 208174
 G. 208174
 H. 208174
 I. 208174
 J. 208174
 K. 208174
 L. 208174
 M. 208174
 N. 208174
 O. 208174
 P. 208174
 Q. 208174
 R. 208174
 S. 208174
 T. 208174
 U. 208174
 V. 208174
 W. 208174
 X. 208174
 Y. 208174
 Z. 208174

MICRO SWITCH
a Honeywell Division
FED. MFG. CODE 91929

SWITCH - DOOR INTERLOCK

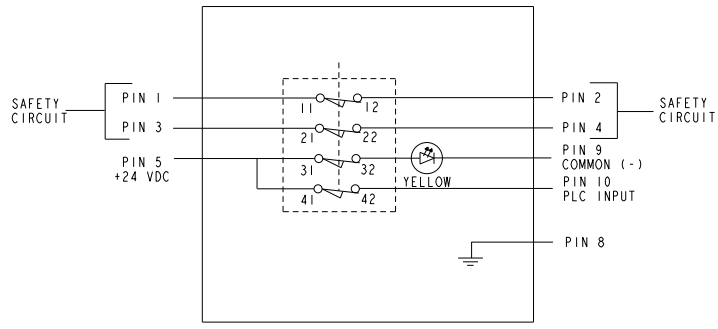
CATALOG LISTING
GK SERIES CHART 3

THIS DRAWING COVERS A PROPRIETARY ITEM AND IS THE PROPERTY OF MICRO SWITCH, A DIVISION OF HONEYWELL. THIS DRAWING IS NOT TO BE COPIED OR USED WITHOUT THE APPROVAL OF MICRO SWITCH

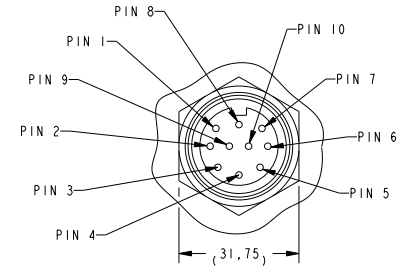
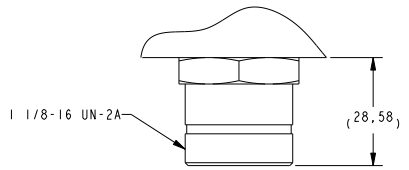
CATALOG LISTING
GK SERIES CHART 3

ISSUE	30	PAGE 7 OF 8	REPLACES
REVISIONS	RS	07 JAN 09	RELEASE NO. PR-23758
A	206394	21 SEP 06	CHECK
B	206443		
C	206976		
D	207003		
E	207211		
F	207576		
G	208038		
H	208508		
J	208742		
LJK	11 NOV 99	JAF	11 NOV 99
PTC/CAD	3D		

MODIFICATION CODE: F06



SWITCH DIAGRAM STATE SHOWN WITH KEY INSERTED



300V 2.5A
BRAD HARRISON PART NO. 47205-22
OR EQUIVALENT

THIRD ANGLE PROJECTION			
DO NOT SCALE PRINT			
TOLERANCES			
APPLY TO DESIGN UNITS. CONVERSIONS ARE ONLY FOR REFERENCE. UNLESS NOTED, TOLERANCES ARE:			
	FR.	TOL.	FR.
	mm	mm/16	in
NO PLACES	±	1/64	± 0.0151
ONE PLACE	±	0.0012	± 0.000305
TWO PLACES	±	0.000076	± 0.000019
THREE PLACES	±	0.000005	± 0.0000013
ANGLES		°	°
DESIGN UNITS	SI METRIC <input checked="" type="checkbox"/>		US CUSTOMARY <input type="checkbox"/>
WEIGHT APPROX .5KG / 1LB			

ANSI Y14.5M-1982 APPLIES

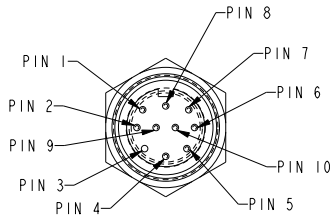
MICRO SWITCH
a Honeywell Division
FED. MFG. CODE 91929

SWITCH - DOOR INTERLOCK

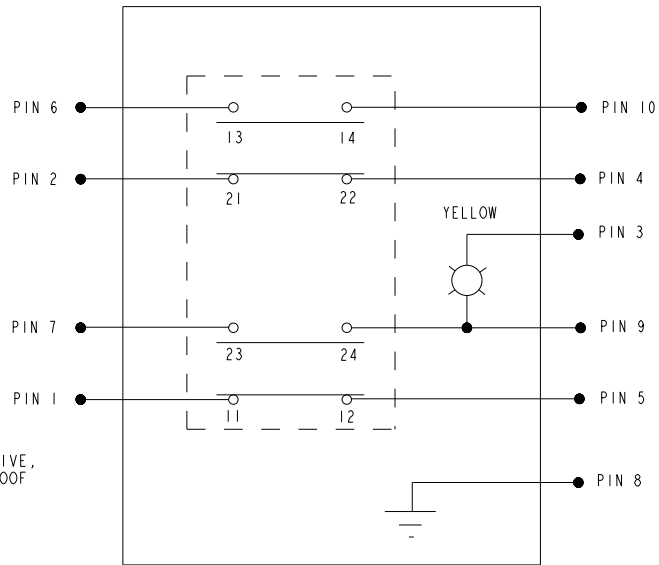
CATALOG LISTING
GK SERIES CHART 3

THIS DRAWING COVERS A PROPRIETARY ITEM AND IS THE PROPERTY OF MICRO SWITCH, A DIVISION OF HONEYWELL. THIS DRAWING IS NOT TO BE COPIED OR USED WITHOUT THE APPROVAL OF MICRO SWITCH

MODIFICATION CODE: FW



10-PIN CONNECTOR $\triangle 2$



**BASIC SWITCH TO 10-PIN CONNECTOR
CIRCUIT DIAGRAM
DIAGRAM SHOWN WITH KEY INSERTED**

NOTES

- 1 - THE TWO COVER SCREWS ARE COMBINATION DRIVE, THE FOUR HEAD SCREWS ARE T-15 TAMPER PROOF TORX DRIVE (DRIVER BIT IS PROVIDED)



ISSUE	30	RS	07 JAN 09	RELEASE NO. PR-23758	REPLACES
	CATALOG LISTING GK SERIES CHART 3 PAGE 8 OF 8				
REVISIONS	A	206394	SM	21 SEP 06	CHECK
	B	204443	JLH	21 SEP 02	DVM
	C	206976	JLH	21 SEP 02	SAV
	D	207003	SM	18 JAN 00	CHECK
	E	207211	SM	18 JAN 00	SAV
	F	207576	SM	18 JAN 00	SAV
	G	0000385	SM	18 JAN 00	SAV
	H	0025008	SM	18 JAN 00	SAV
	J	0047425	SM	07 JAN 09	SAV
PTC/CAD	3D				

ANSI Y14.5M-1982 APPLIES

THIRD ANGLE PROJECTION			
SCALE	NONE		
DO NOT SCALE PRINT			
TOLERANCES			
APPLY TO DESIGN UNITS. CONVERSIONS ARE ONLY FOR REFERENCE, UNLESS NOTED. TOLERANCES ARE:			
	FR.	TOL.	FR.
	mm	mm ±	in
NO PLACES	±	1/.04	±1 0.01/0.1
ONE PLACE	±.1	0.07/0.16	±.01 0.30/0.65
TWO PLACES	±.01	0.157/0.06	±.001 0.13/0.45
THREE PLACES			
ANGLES			
DESIGN UNITS	<input checked="" type="checkbox"/> SI METRIC	<input type="checkbox"/> US CUSTOMARY	
WEIGHT	0,4 KG / 1LB		