

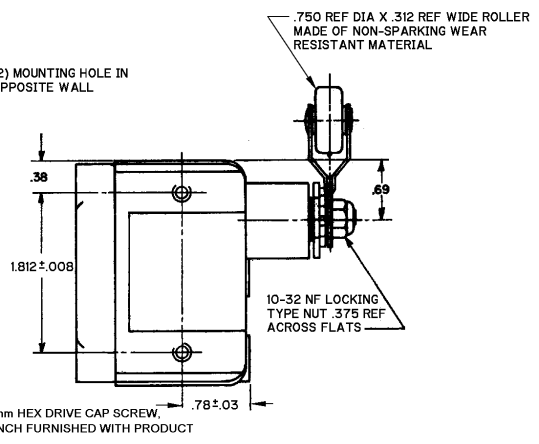
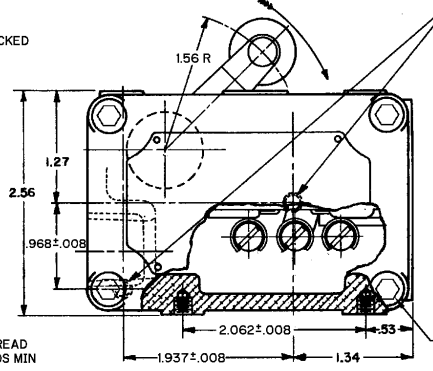
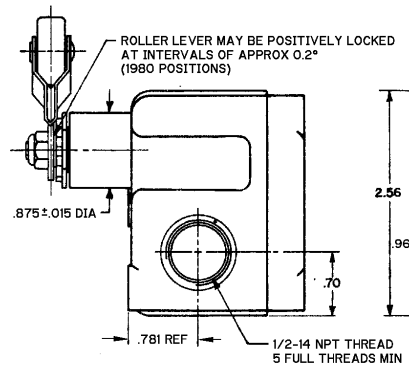
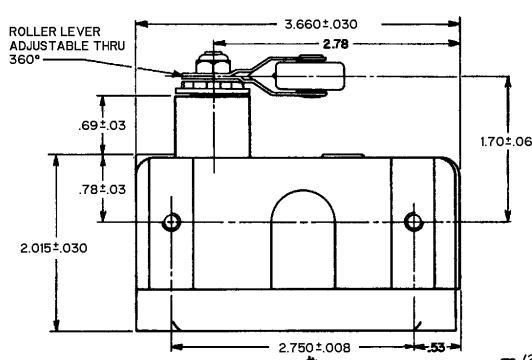
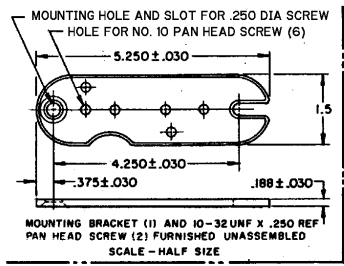
CATALOG LISTING  
EX-AR400  
ISSUE 14  
PAGE 1 OF 1

REVISIONS  
A CO995917  
SM  
29 SEP 99  
B 0012790  
KSR  
25APR05  
CHECK AK  
SAV  
29 SEP 99  
TSM  
29 SEP 99  
DRAWN

**MICRO SWITCH**  
a Honeywell Division  
FED. WFS. CODE 91929

**SWITCH - ENCLOSED**

CATALOG LISTING  
**EX-AR400**



THIS DRAWING COVERS A PROPRIETARY ITEM AND IS THE PROPERTY OF MICRO SWITCH, A DIVISION OF HONEYWELL. THIS DRAWING IS NOT TO BE COPIED OR USED WITHOUT THE APPROVAL OF MICRO SWITCH.

CHARACTERISTICS	ELECTRICAL DATA
OPERATING FORCE - - - - - 8-20 OZ	CONTACT ARRANGEMENT SPDT
RELEASE FORCE - - - - - 4 OZ MIN	L35 5A 125, 250 OR 480 VAC
PRETRAVEL - - - - - .219 MAX (8°)	1/2A 125 VDC, 1/4A 250 VDC
DIFFERENTIAL TRAVEL - - .007 MAX (1/4°)	
DO NOT OVERTRAVEL MORE THAN 90°	
SWITCH BASIC REPLACEMENT - - - BZ-2R244-P1	

THIRD ANGLE PROJECTION	
SCALE	FULL
DO NOT SCALE PRINT	
UNLESS OTHERWISE SPECIFIED TOLERANCES ARE	
ONE PLACE	(.01) ± .030
TWO PLACE	(.001) ± .015
THREE PLACE	(.0001) ± .005
ANGLES	±
WEIGHT	

- NOTES**
- (8) MOUNTING SCREW HOLES, 10-32 NF-28 THREAD X .219 REF DEEP
  - 8-32 NC X .219 REF TERMINAL SCREWS AND CUP WASHERS
  - EXPLOSION PROOF - UNDERWRITER'S LAB. INC. LISTED RATING FOR HAZARDOUS LOCATIONS NEMA 7, CLASS I, GROUPS C AND D, NEMA 9, CLASS II, GROUPS E, F AND G
  - SWITCH WILL WITHSTAND 400°F FOR 100 HOURS
  - SEAL RATING: NEMA 1