

4

3

2

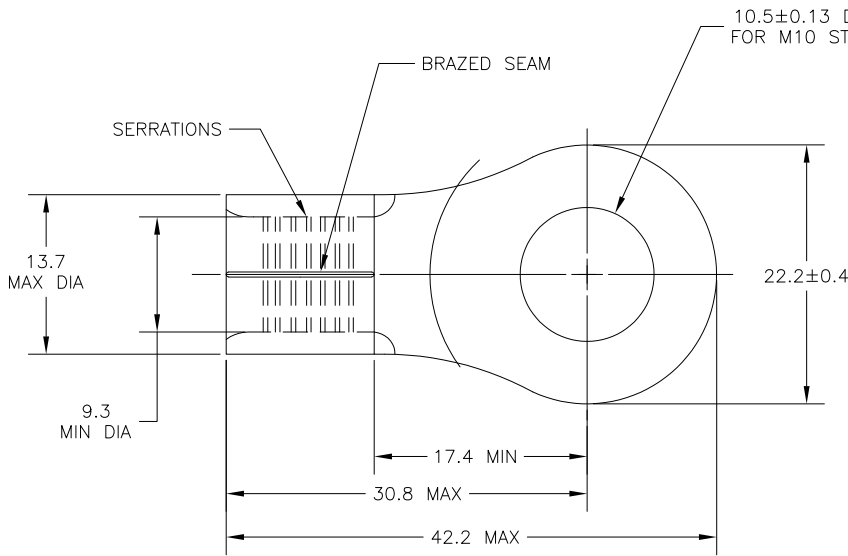
1

THIS DRAWING IS UNPUBLISHED. RELEASED FOR PUBLICATION
 © COPYRIGHT - BY TYCO ELECTRONICS CORPORATION. ALL RIGHTS RESERVED.

LOC	DIST	REVISIONS			
P	LTR	DESCRIPTION	DATE	DWN	APVD
G	14				
	A1	REV PER ECR 07-026079	31OCT07	JR	TM

1 TONGUE THK IS 1.80±0.06

2 TIN PLATE PER ASTM B545 ANNEALED



	160002
FINISH	PART NO

THIS DRAWING IS A CONTROLLED DOCUMENT.		DWN	jr_ruth	02FEB06	Tyco Electronics Corporation Harrisburg, PA 17105-3608		
DIMENSIONS: INCHES		CHK	MJ_SPICER	02FEB06			
TOLERANCES UNLESS OTHERWISE SPECIFIED: 0 PLC ± - 1 PLC ± - 2 PLC ± - 3 PLC ± 0.20 4 PLC ± - ANGLES ± 5°		APVD	MJ_SPICER	02FEB06	NAME	TERMINAL, SOLISTRAND, RING TONGUE, WIRE SIZE : #2	
MATERIAL: COPPER ASTM B152		FINISH: SEE TABLE		WEIGHT	SIZE	A3	
				CAGE CODE	00779	DRAWING NO	C=160002
				CUSTOMER DRAWING	SCALE	3:1	SHEET 1 of 1
					REV	A1	

AMP 1470-19 REV 31MAR2000