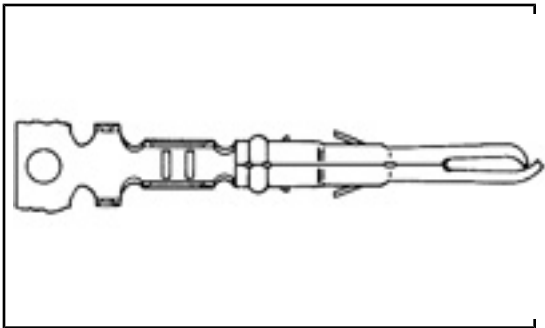


640579-1 Product Details



640579-1

TE Internal Number: 640579-1



[Active](#)

.165" Centerline, 250 V, 9 A max.



[Always EU RoHS/ELV Compliant \(Statement of Compliance\)](#)

Product Highlights:

- Contact
- Packaging Method = Loose Piece
- Contact Type = Split Pin
- Wire Range = 0.12-0.24² [26-24] mm [AWG]
- Wire Insulation Diameter = .64 - 1.27 mm

[View all Features](#)

Documentation & Additional Information

Product Drawings:

- [PIN, LOOSE PIECE, MR](#) (PDF, English)

Catalog Pages/Data Sheets:

- [SOFT SHELL PIN AND SOCKET CONNECTORS CATALOG](#) (PDF, English)

Product Specifications:

- None Available

Application Specifications:

- [Miniature Rectangular \(MR\) Contacts and Housings](#) (PDF, English)

Instruction Sheets:

- None Available

CAD Files: ([CAD Format & Compression Information](#))

- [2D Drawing](#) (DXF, Version C)
- [3D Model](#) (IGES, Version C)
- [3D Model](#) (STEP, Version C)

[List all Documents](#)

Additional Information:

- [Product Line Information](#)

Related Products:

- [Tooling](#)

Product Features (Please use the Product Drawing for all design activity)

Product Type Features:

- Product Type = Contact
- Wire Insulation Diameter (mm [in]) = 0.64 – 1.27 [0.025 – 0.050]
- Connector Line = Mini Rectangular
- Material = Phosphor Bronze
- Comment = Contact Extraction Tool No. 455822-2 (IS 9570); Contact Insertion Tool No. 455830-1 (IS 7984)

Electrical Characteristics:

- Voltage (VAC) = 250
- Current Rating (Amps.) = 9

Termination Related Features:

- Solder Tail Contact Plating = Pre-Tin

Body Related Features:

- Wire Range (mm [AWG]) = 0.12-0.24² [26-24]
- Contact Diameter (mm [in]) = 1.73 [0.068]
- Stock Thickness (mm [in]) = 0.20 [0.008]

Contact Related Features:

- Contact Type = Split Pin

Industry Standards:

- [RoHS/ELV Compliance](#) = RoHS compliant, ELV compliant
- [Lead Free Solder Processes](#) = Not relevant for lead free process
- RoHS/ELV Compliance History = Always was RoHS compliant

Packaging Related Features:

- Packaging Method = Loose Piece

Other:

- Brand = AMP