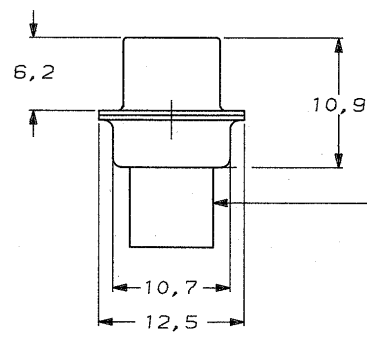
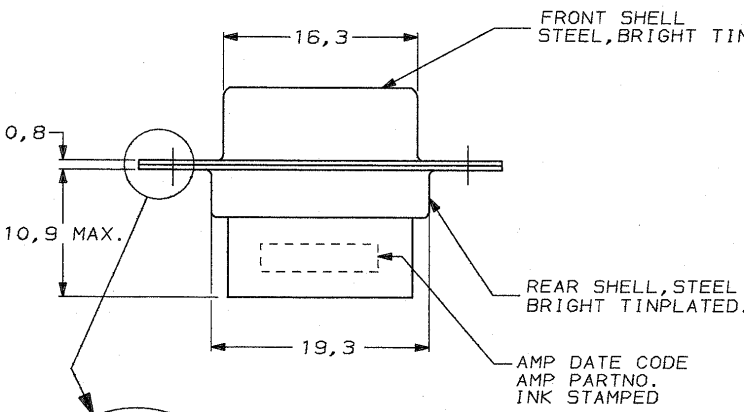


DO NOT SCALE METRIC

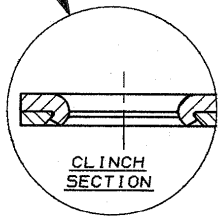
THIRD ANGLE PROJECTION

DIMENSIONS IN mm

- NOTES: 1 THIS RECEPTACLE ACCEPTS SIZE 22 REC. CONTACTS.
 2 RETENTION TINES ARE AN INTEGRAL PART OF INSERT.
 3 CONTACT INSERTION/REMOVAL TOOL AMP P.N. 91285-1 IS RECOMMENDED FOR USE WITH THESE CONNECTORS:



INSERTS: NYLON GLASS-FILLED SELF-EXTINGUISHING COLOR: BLACK



SEE DRAWING	SEE DRAWING	216164-1
FINISH	MATERIAL	PARTNUMBER
CUSTOMER DRAWING	AMP	AMP-HOLLAND B.V. 's-Hertogenbosch, The Netherlands.
FOR REFERENCE ONLY WILL NOT BE UPDATED	THIS DRAWING IS UNPUBLISHED RELEASED FOR PRODUCTION	
DR. J. V. D. MEIJDEN. DATE 06-12-88	WIRE RANGE	NAME HDP-22 REC. CONNECTOR, SIZE 1, (15 POSITION)
CHK. <i>C. Hilborn</i> DATE 2-1-89	INSUL. RANGE	REV. DATE 06 12 88
APP. <i>JP</i> DATE 4.1.89	SIZE A3	SHEET 1 OF 1
	DWG. No. C-216164	REV. LTR. 0

8 | 7 | 6 | 5 | 4 | 3 | 2 | 1