

CAT5120, CAT5121, CAT5122

16-Tap MiniPot™ Digitally Programmable Potentiometers with 2-Wire Interface

Description

CAT5120/5121/5122 linear-taper digitally programmable potentiometers perform the same function as a mechanical potentiometer or a variable resistor. These devices consist of a fixed resistor and a wiper contact with 16-tap points that are digitally controlled through a 2-wire up/down serial interface.

The CAT5120 is configured as a potentiometer. The CAT5121 and CAT5122 are configured as variable resistors. See *Pin Configurations* for part functionality.

Three resistance values are available: 10 k Ω , 50 k Ω and 100 k Ω . These are available in space-saving 5-pin and 6-pin SC-70 and SOT-23 packages.

Features

- 0.3 μ A Ultra-low Standby Current
- Single-supply Operation: 2.7 V to 5.5 V
- Glitchless Switching between Resistor Taps
- Power-on Reset to Midscale
- 2-wire Up/Down Serial Interface
- Resistance Values: 10 k Ω , 50 k Ω and 100 k Ω
- Available in SC-70 and SOT-23 Packages
- These Devices are Pb-Free, Halogen Free/BFR Free and are RoHS Compliant

Applications

- LCD Screen Adjustment
- Volume Control
- Mechanical Potentiometer Replacement
- Gain Adjustment
- Line Impedance Matching



ON Semiconductor®

<http://onsemi.com>



SC-70
SD SUFFIX
CASE 419AD



SOT-23
TB SUFFIX
CASE 527AJ

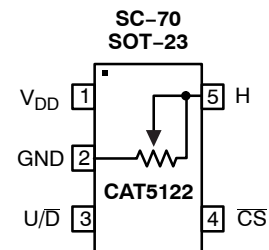
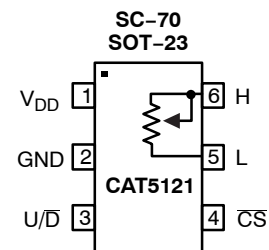
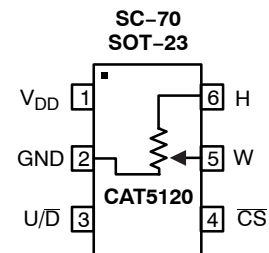


SC-70
SD SUFFIX
CASE 419AC



SOT-23
TB SUFFIX
CASE 527AH

PIN CONFIGURATIONS



ORDERING INFORMATION

See detailed ordering and shipping information in the package dimensions section on page 11 of this data sheet.

CAT5120, CAT5121, CAT5122

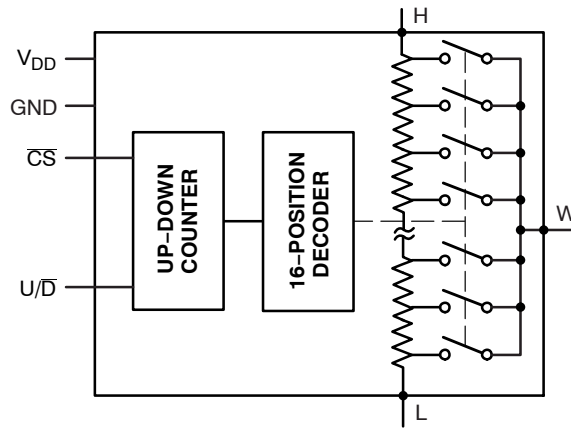


Figure 1. Functional Diagram

Table 1. PIN DESCRIPTIONS

Name	Description
V _{DD}	Power Supply
GND	Ground
U/ \bar{D}	Up/ \bar{D} own Control Input. With \bar{CS} low, a low-to-high transition increments or decrements the wiper position.
\bar{CS}	Chip Select Input. A high-to-low \bar{CS} transition determines the mode: increment if U/ \bar{D} is high, or decrement if U/ \bar{D} is low.
L	Low Terminal of Resistor
W	Wiper Terminal of Resistor
H	High Terminal of Resistor

Table 2. ABSOLUTE MAXIMUM RATINGS

Parameters	Ratings	Units
V _{DD} to GND	-0.3 to +6	V
All Other Pins to GND	-0.3 to (V _{DD} + 0.3)	V
Input and Output Latch-Up Immunity	±200	mA
Maximum Continuous Current into H, L and W		mA
100 kΩ	±0.6	
50 kΩ	±1.3	
10 kΩ	±1.3	
Continuous Power Dissipation (T _A = +70°C)		mW
5-pin SC-70 (Note 1)	247	
6-pin SC-70 (Note 1)	245	
Operating Temperature Range	-40 to +85	°C
Junction Temperature	+150	°C
Storage Temperature Range	-65 to +150	°C
Soldering Temperature (soldering, 10 s)	+300	°C

Stresses exceeding Maximum Ratings may damage the device. Maximum Ratings are stress ratings only. Functional operation above the Recommended Operating Conditions is not implied. Extended exposure to stresses above the Recommended Operating Conditions may affect device reliability.

- Derate 3.1 mW/°C above T_A = +70°C

CAT5120, CAT5121, CAT5122

Table 3. ELECTRICAL CHARACTERISTICS

($V_{DD} = 2.7\text{ V to }5.5\text{ V}$, $V_H = V_{DD}$, $V_L = 0$, $T_A = -40^\circ\text{C to }+85^\circ\text{C}$. Typical values are at $V_{DD} = 2.7\text{ V}$, $T_A = 25^\circ\text{C}$, unless otherwise noted.)

Parameter	Symbol	Conditions	Min	Typ	Max	Units
DC PERFORMANCE						
Resolution			16			Taps
End-to-End Resistance (-00)			75	100	125	k Ω
End-to-End Resistance (-50)			37.5	50	62.5	
End-to-End Resistance (-10)			7.5	10	12.5	
End-to-End Resistance Tempco	TC_R			200		ppm/ $^\circ\text{C}$
Ratiometric Resistance Tempco				5		ppm/ $^\circ\text{C}$
Integral Nonlinearity	INL				± 0.5	LSB
Differential Nonlinearity	DNL				± 0.5	LSB
Zero/Full-Scale Error				± 0.1	± 0.5	LSB
Wiper Resistance	R_W			200	600	Ω

DIGITAL INPUTS

Input High Voltage	V_{IH}		$0.7 \times V_{DD}$			V
Input Low Voltage	V_{IL}				$0.3 \times V_{DD}$	V

TIMING CHARACTERISTICS (Figures 7, 8)

U/ \bar{D} Mode to \bar{CS} Setup	t_{CU}		25			ns
\bar{CS} to U/ \bar{D} Step Setup	t_{CI}		50			ns
\bar{CS} to U/ \bar{D} Step Hold	t_{CH}		25			ns
U/ \bar{D} Step Low Period	t_{L}		25			ns
U/ \bar{D} Step High Period	t_{H}		25			ns
Up/Down Toggle Rate (Note 2)	f_{TOGGLE}			1		MHz
Output Settling Time (Note 3)	t_{SETTLE}	100 k Ω variable resistor configuration, $C_L = 10\text{ pF}$		1		μs
		100 k Ω potentiometer configuration, $C_L = 10\text{ pF}$		0.25		

POWER SUPPLY

Supply Voltage	V_{DD}		2.7		5.5	V
Active Supply Current (Note 4)	I_{DD}				25	μA
Standby Supply Current (Note 5)	I_{SB}	$V_{DD} = +5\text{ V}$		0.3	1	μA

2. Up/Down Toggle Rate: $f_{TOGGLE} = 1 / t_{SETTLE}$
3. Typical settling times are dependent on end-to-end resistance.
4. Supply current measured while changing wiper tap, $f_{TOGGLE} = 1\text{ MHz}$.
5. Supply current measured while wiper position is fixed.

CAT5120, CAT5121, CAT5122

TYPICAL OPERATING CHARACTERISTICS

($T_A = 25^\circ\text{C}$, unless otherwise noted.)

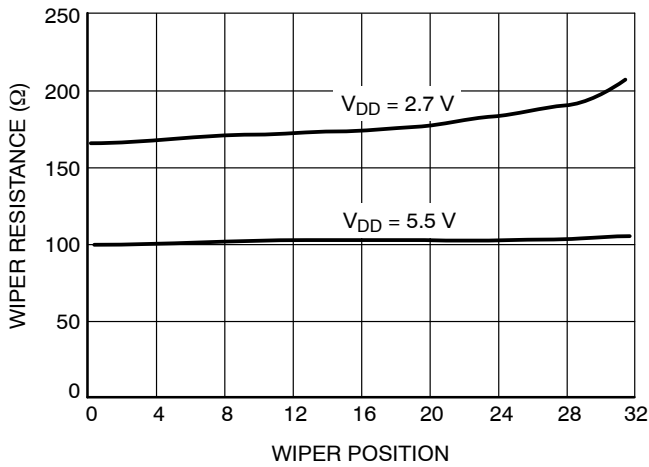


Figure 2. Wiper Resistance vs. Tap Position

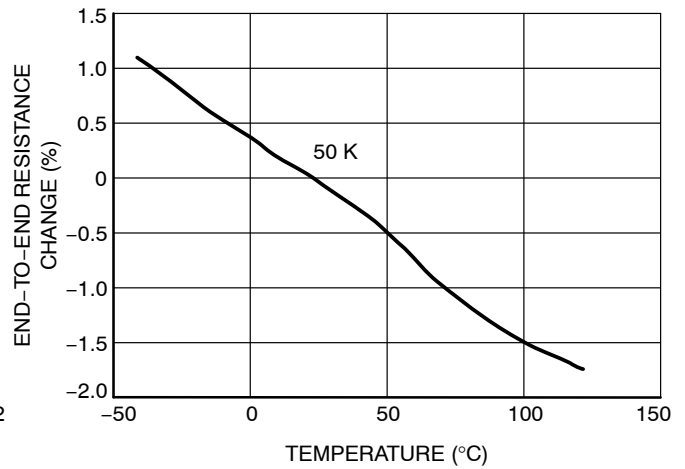


Figure 3. Change in End-to-End Resistance vs. Temperature

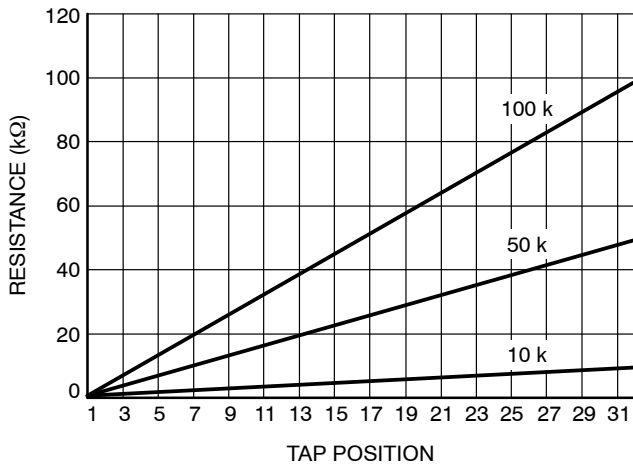


Figure 4. W-to-L Resistance vs. Tap Position

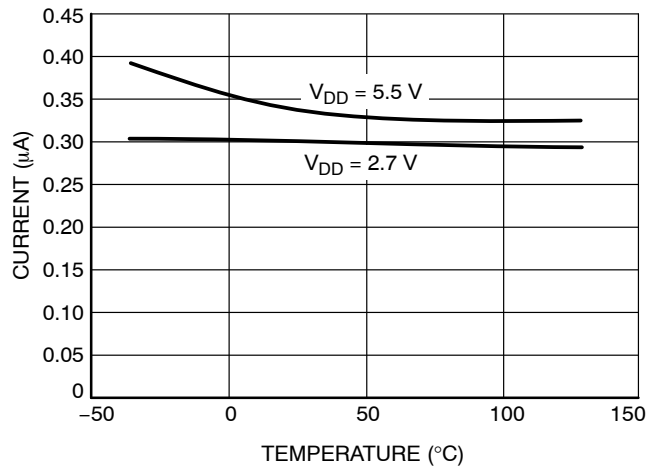


Figure 5. Supply Current vs. Temperature

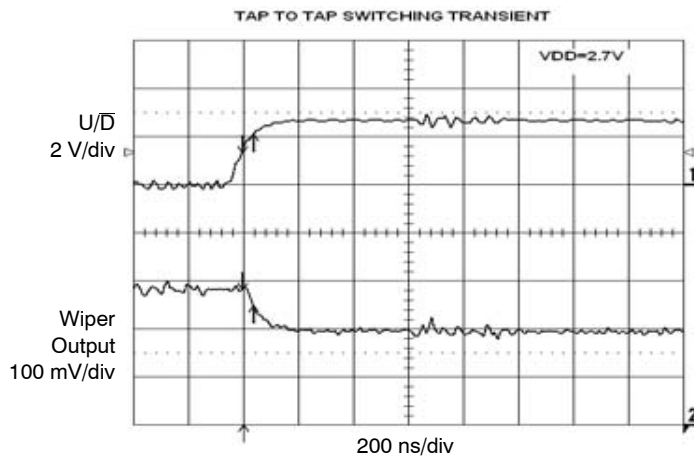


Figure 6. Tap-to-Tap Switching Transient

CAT5120, CAT5121, CAT5122

Functional Description

The CAT5120/5121/5122 consist of a fixed resistor and a wiper contact with 16-tap points that are digitally controlled through a 2-wire up/down serial interface. Three end-to-end resistance values are available: 10 kΩ, 50 kΩ and 100 kΩ.

The CAT5120 is designed to operate as a potentiometer. In this configuration, the low terminal of the resistor array is connected to ground (pin 2).

The CAT5122 performs as a variable resistor. In this device, the wiper terminal and high terminal of the resistor array is connected at pin 5. The CAT5121 is a similar variable resistor, except the low terminal is connected to pin 5.

Digital Interface Operation

The MiniPots have two modes of operation when the serial interface is active: increment and decrement mode. The serial interface is only active when \overline{CS} is low.

The \overline{CS} and U/\overline{D} inputs control the position of the wiper along the resistor array. When \overline{CS} transitions from high to low, the part will go into increment mode if U/\overline{D} input is high, and into decrement mode when U/\overline{D} input is low. Once the mode is set, the device will remain in that mode until \overline{CS} goes high again. A low-to-high transition at the U/\overline{D} pin will increment or decrement the wiper position depending on the current mode (Figures 7 and 8).

When the \overline{CS} input transitions to high (serial interface inactive), the value of the counter is stored and the wiper position is maintained.

Note that when the wiper reaches the maximum (or minimum) tap position, the wiper will not wrap around to the minimum (or maximum) position.

Power-On Reset

All parts in this family feature power-on reset (POR) circuitry that sets the wiper position to midscale at power-up. By default, the chip is in the increment mode.

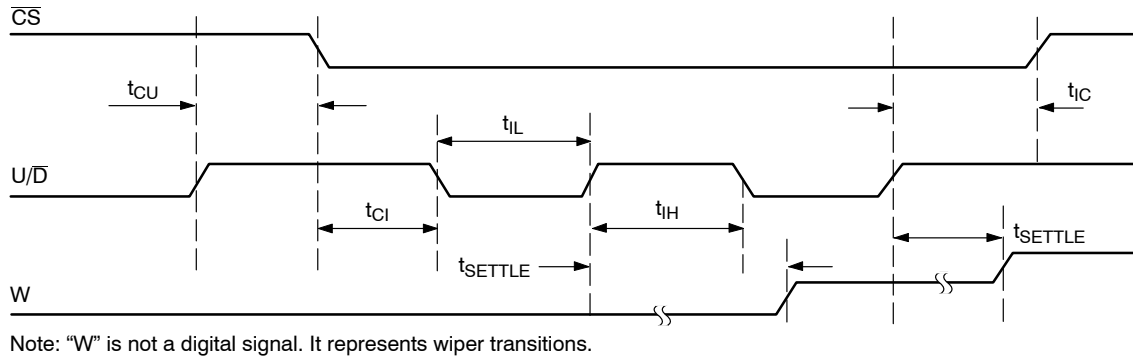


Figure 7. Serial Interface Timing Diagram, Increment Mode

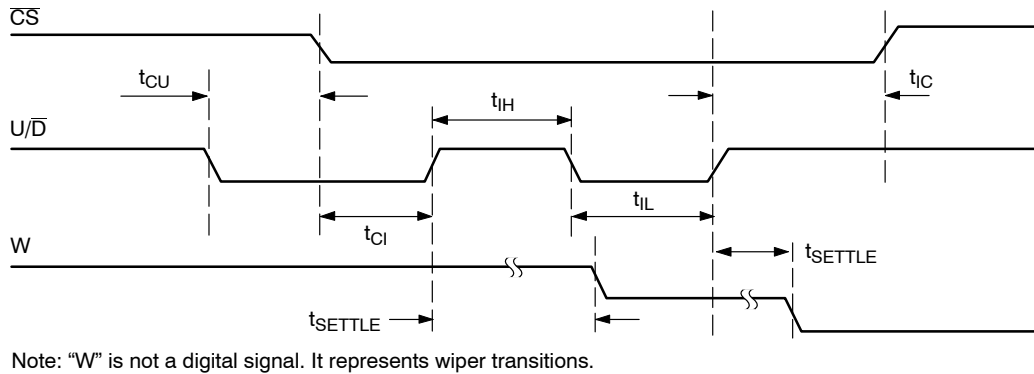


Figure 8. Serial Interface Timing Diagram, Decrement Mode

CAT5120, CAT5121, CAT5122

Applications Information

The MiniPots are intended for circuits requiring digitally controlled adjustable resistance, such as LCD contrast control, where voltage biasing adjusts the display contrast.

Alternative Positive LCD Bias Control

Use an op amp to provide buffering and gain on the output of the CAT5120. Connect the mechanical potentiometer to the positive input of a noninverting op amp (Figure 9) to select a portion of the input signal by digitally controlling the wiper terminal. Figure 10 shows a similar circuit for the CAT5121.

Adjustable Gain

Figures 11 and 12 show how to use the variable resistor to digitally adjust the gain of a noninverting op amp configuration. Connect the CAT5121 in series with a resistor to ground to form the adjustable gain control of a noninverting amplifier. The Minipots have a low 5 ppm/°C ratiometric tempco that allows for a very stable adjustable gain configuration over temperature.

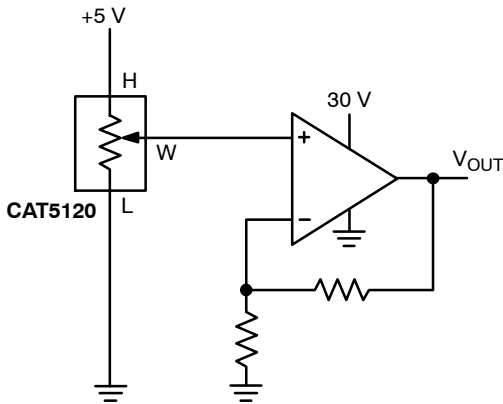


Figure 9. Positive LCD Bias Control

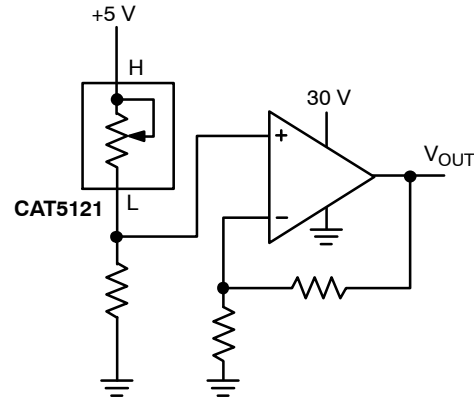


Figure 10. Positive LCD Bias Control

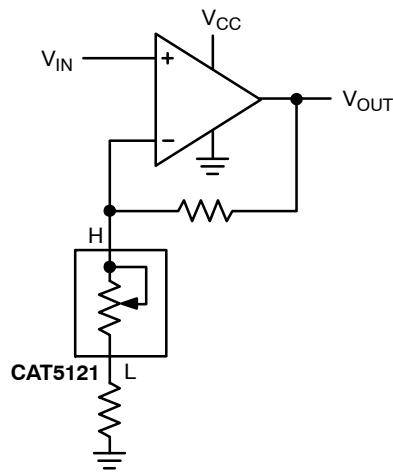


Figure 11. Adjustable Gain Circuit

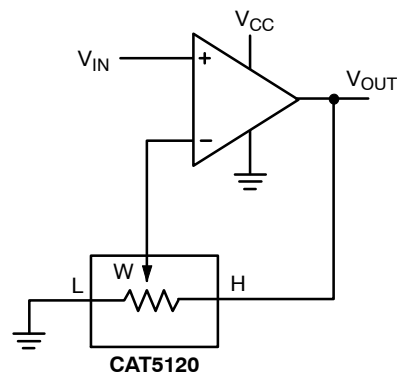
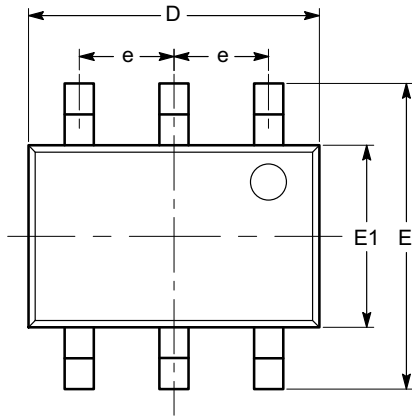


Figure 12. Adjustable Gain Circuit

CAT5120, CAT5121, CAT5122

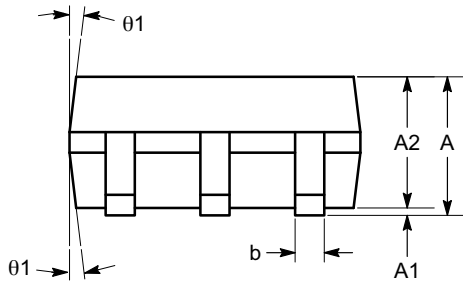
PACKAGE DIMENSIONS

SC-70, 6 Lead, 1.25x2
 CASE 419AD-01
 ISSUE O

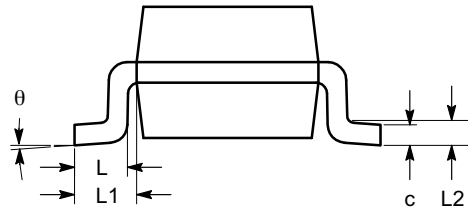


TOP VIEW

SYMBOL	MIN	NOM	MAX
A	0.80		1.10
A1	0.00		0.10
A2	0.80		1.00
b	0.15		0.30
c	0.10		0.18
D	1.80	2.00	2.20
E	1.80	2.10	2.40
E1	1.15	1.25	1.35
e	0.65 BSC		
L	0.26	0.36	0.46
L1	0.42 REF		
L2	0.15 BSC		
θ	0°		8°
θ_1	4°		10°



SIDE VIEW



END VIEW

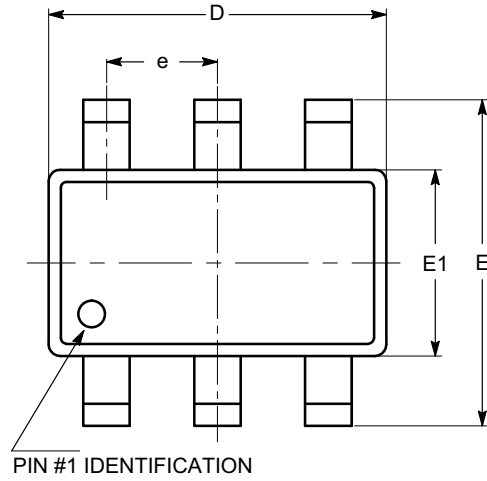
Notes:

- (1) All dimensions are in millimeters. Angles in degrees.
- (2) Complies with JEDEC MO-203.

CAT5120, CAT5121, CAT5122

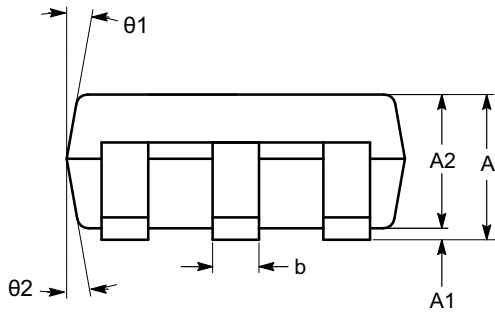
PACKAGE DIMENSIONS

SOT-23, 6 Lead
CASE 527AJ-01
ISSUE O

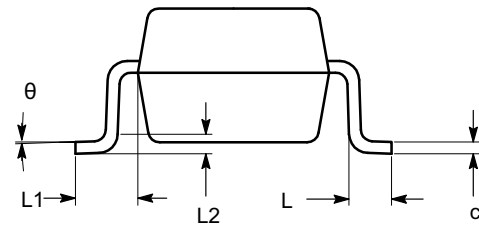


TOP VIEW

SYMBOL	MIN	NOM	MAX
A	0.90		1.45
A1	0.00		0.15
A2	0.90	1.15	1.30
b	0.30		0.50
c	0.08		0.22
D	2.90 BSC		
E	2.80 BSC		
E1	1.60 BSC		
e	0.95 BSC		
L	0.30	0.45	0.60
L1	0.60 REF		
L2	0.25 REF		
θ	0°	4°	8°
$\theta 1$	5°	10°	15°
$\theta 2$	5°	10°	15°



SIDE VIEW



END VIEW

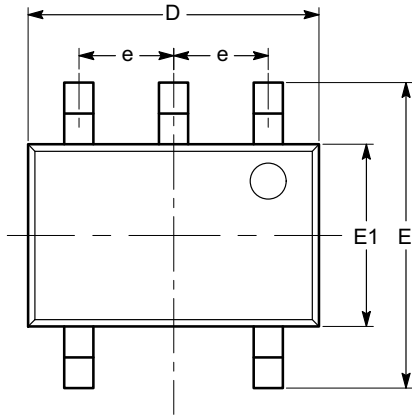
Notes:

- (1) All dimensions in millimeters. Angles in degrees.
- (2) Complies with JEDEC standard MO-178.

CAT5120, CAT5121, CAT5122

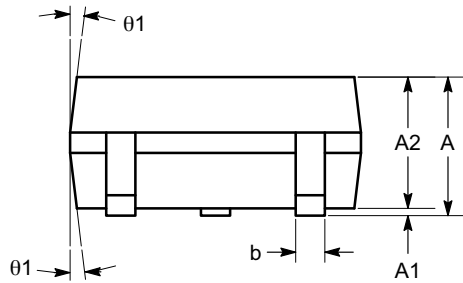
PACKAGE DIMENSIONS

SC-70, 5 Lead, 1.25x2
 CASE 419AC-01
 ISSUE O

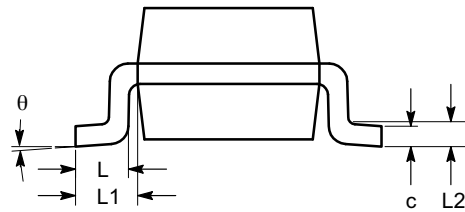


TOP VIEW

SYMBOL	MIN	NOM	MAX
A	0.80		1.10
A1	0.00		0.10
A2	0.80		1.00
b	0.15		0.30
c	0.10		0.18
D	1.80	2.00	2.20
E	1.80	2.10	2.40
E1	1.15	1.25	1.35
e	0.65 BSC		
L	0.26	0.36	0.46
L1	0.42 REF		
L2	0.15 BSC		
θ	0°		8°
θ_1	4°		10°



SIDE VIEW



END VIEW

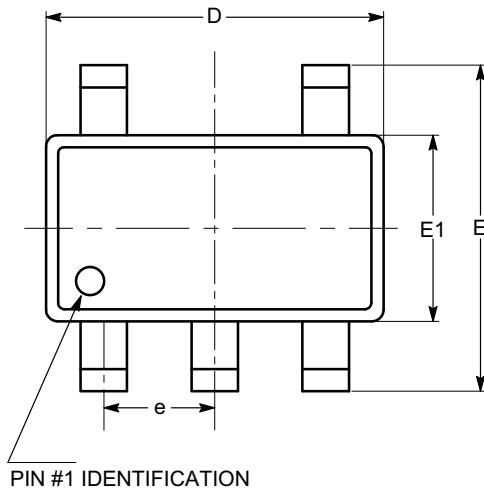
Notes:

- (1) All dimensions are in millimeters. Angles in degrees.
- (2) Complies with JEDEC MO-203.

CAT5120, CAT5121, CAT5122

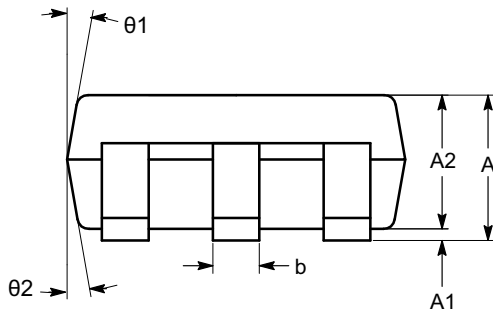
PACKAGE DIMENSIONS

SOT-23, 5 Lead
CASE 527AH-01
ISSUE O

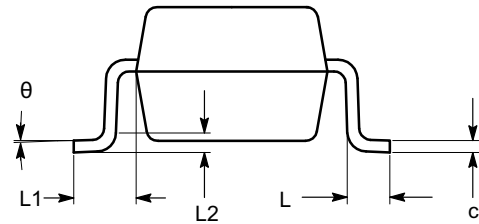


TOP VIEW

SYMBOL	MIN	NOM	MAX
A	0.90		1.45
A1	0.00		0.15
A2	0.90	1.15	1.30
b	0.30		0.50
c	0.08		0.22
D	2.90 BSC		
E	2.80 BSC		
E1	1.60 BSC		
e	0.95 BSC		
L	0.30	0.45	0.60
L1	0.60 REF		
L2	0.25 REF		
θ	0°	4°	8°
$\theta 1$	5°	10°	15°
$\theta 2$	5°	10°	15°



SIDE VIEW



END VIEW

Notes:

- (1) All dimensions in millimeters. Angles in degrees.
- (2) Complies with JEDEC standard MO-178.

CAT5120, CAT5121, CAT5122

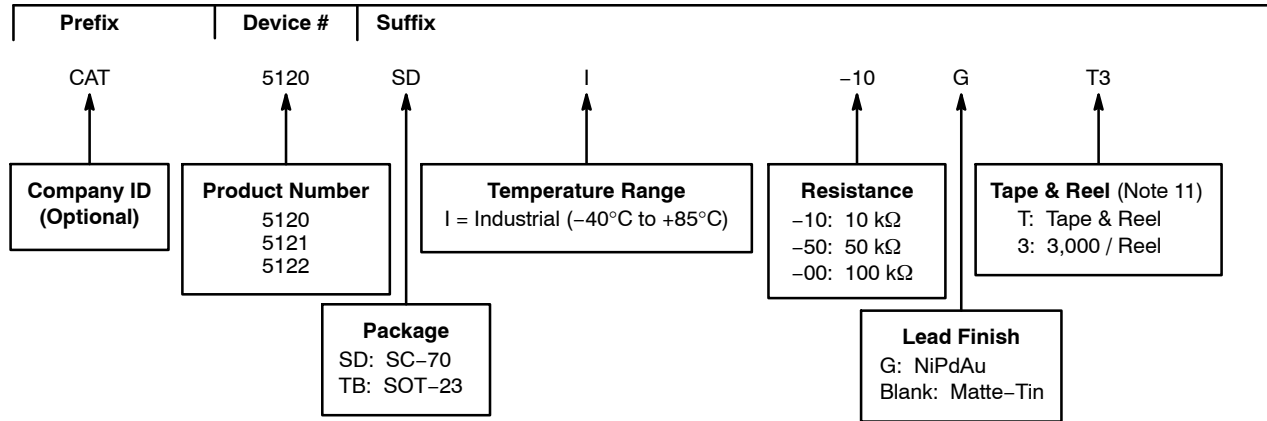
Table 4. ORDERING INFORMATION

Orderable Part Number	Resistor [kΩ]	Pin Package	Quantity per Reel
CAT5120SDI-10GT3	10	SC70-6	3,000
CAT5120TBI-10-T3 (Note 6)	10	SOT23-6	3,000
CAT5120TBI-10GT3	10	SOT23-6	3,000
CAT5120SDI-50GT3	50	SC70-6	3,000
CAT5120TBI-50-T3 (Note 6)	50	SOT23-6	3,000
CAT5120TBI-50GT3	50	SOT23-6	3,000
CAT5120SDI-00GT3	100	SC70-6	3,000
CAT5120TBI-00-T3 (Note 6)	100	SOT23-6	3,000
CAT5120TBI-00GT3	100	SOT23-6	3,000
CAT5121SDI-10GT3	10	SC70-6	3,000
CAT5121TBI-10-T3 (Note 6)	10	SOT23-6	3,000
CAT5121TBI-10GT3	10	SOT23-6	3,000
CAT5121SDI-50GT3	50	SC70-6	3,000
CAT5121TBI-50-T3 (Note 6)	50	SOT23-6	3,000
CAT5121TBI-50GT3	50	SOT23-6	3,000
CAT5121SDI-00GT3	100	SC70-6	3,000
CAT5121TBI-00-T3 (Note 6)	100	SOT23-6	3,000
CAT5121TBI-00GT3	100	SOT23-6	3,000
CAT5122SDI-10GT3	10	SC70-5	3,000
CAT5122TBI-10-T3 (Note 6)	10	SOT23-5	3,000
CAT5122TBI-10GT3	10	SOT23-5	3,000
CAT5122SDI-50GT3	50	SC70-5	3,000
CAT5122TBI-50-T3 (Note 6)	50	SOT23-5	3,000
CAT5122TBI-50GT3	50	SOT23-5	3,000
CAT5122SDI-00GT3	100	SC70-5	3,000
CAT5122TBI-00-T3 (Note 6)	100	SOT23-5	3,000
CAT5122TBI-00GT3	100	SOT23-5	3,000

6. Part number is not exactly the same as the "Example of Ordering Information" shown on page 12.
For part numbers marked with (1) there are two hyphens in the orderable part number.


CAT5120, CAT5121, CAT5122

Example of Ordering Information (Note 9)



7. All packages are RoHS-compliant (Lead-free, Halogen-free).
8. The standard finish is NiPdAu.
9. The device used in the above example is a CAT5120SDI-10GT3 (SC-70, Industrial Temperature, 10 kΩ, NiPdAu, Tape & Reel, 3,000/Reel).
10. For additional package and temperature options, please contact your nearest ON Semiconductor Sales office.
11. For information on tape and reel specifications, including part orientation and tape sizes, please refer to our Tape and Reel Packaging Specifications Brochure, BRD8011/D.

MiniPot is a trademark of Semiconductor Components Industries, LLC.

ON Semiconductor and  are registered trademarks of Semiconductor Components Industries, LLC (SCILLC). SCILLC reserves the right to make changes without further notice to any products herein. SCILLC makes no warranty, representation or guarantee regarding the suitability of its products for any particular purpose, nor does SCILLC assume any liability arising out of the application or use of any product or circuit, and specifically disclaims any and all liability, including without limitation special, consequential or incidental damages. "Typical" parameters which may be provided in SCILLC data sheets and/or specifications can and do vary in different applications and actual performance may vary over time. All operating parameters, including "Typicals" must be validated for each customer application by customer's technical experts. SCILLC does not convey any license under its patent rights nor the rights of others. SCILLC products are not designed, intended, or authorized for use as components in systems intended for surgical implant into the body, or other applications intended to support or sustain life, or for any other application in which the failure of the SCILLC product could create a situation where personal injury or death may occur. Should Buyer purchase or use SCILLC products for any such unintended or unauthorized application, Buyer shall indemnify and hold SCILLC and its officers, employees, subsidiaries, affiliates, and distributors harmless against all claims, costs, damages, and expenses, and reasonable attorney fees arising out of, directly or indirectly, any claim of personal injury or death associated with such unintended or unauthorized use, even if such claim alleges that SCILLC was negligent regarding the design or manufacture of the part. SCILLC is an Equal Opportunity/Affirmative Action Employer. This literature is subject to all applicable copyright laws and is not for resale in any manner.

PUBLICATION ORDERING INFORMATION

LITERATURE FULFILLMENT:
Literature Distribution Center for ON Semiconductor
P.O. Box 5163, Denver, Colorado 80217 USA
Phone: 303-675-2175 or 800-344-3860 Toll Free USA/Canada
Fax: 303-675-2176 or 800-344-3867 Toll Free USA/Canada
Email: orderlit@onsemi.com

N. American Technical Support: 800-282-9855 Toll Free
USA/Canada
Europe, Middle East and Africa Technical Support:
Phone: 421 33 790 2910
Japan Customer Focus Center
Phone: 81-3-5773-3850

ON Semiconductor Website: www.onsemi.com

Order Literature: <http://www.onsemi.com/orderlit>

For additional information, please contact your local Sales Representative

CAT5120/D