

**10-CHANNEL HIGH DEFINITION AUDIO CODEC**
**STAC9271/9274**
**Description**

The STAC9271/74 are Theater Quality 10-channel audio CODECs that enable systems with 7.1 audio playing simultaneously with VoIP or another stereo audio stream. IDT's proprietary  $\Sigma\Delta$  technology provides high fidelity with an estimated DAC SNR up to 105dB. Up to four digital microphones are supported enabling high quality voice input for increased usability of voice applications.

**Features**

- **High performance HD Audio CODEC provides Theater Quality Audio**
- **High performance  $\Sigma\Delta$  technology**
  - 105dB DAC SNR
  - 90dB ADC SNR
- **Five Stereo DACs and three stereo ADCs**
  - Supports 7.1 Audio with simultaneous Real Time Communication (RTC) channel such as VoIP or separate stereo audio stream
- **24-bit resolution with up to 192 KHz sample rates**
- **Digital Microphone Interface (STAC9274)**
  - Direct interface up to four Digital Microphones
- **Analog Stereo Microphone**
  - Microphone Boost 0, 10, 20, 30, 40dB
  - Six adjustable Vref outputs for microphone bias
- **Integrated Headphone Amps (3)**
- **S/PDIF In and Out**
- **ADAT<sup>®</sup> Optical "Lightpipe" Output Support (STAC9274)**
- **Volume Up/Down Control**
- **Jack Insertion Detect and Impedance Sensing supports Jack Retasking and Universal Jacks**



- **Digital PC Beep to all outputs**
- **+5 V analog power supply options**
- **Environmental 48-pin LQFP package**

**Software Support**

- **SKPI (Kernel Processing Interface)**
  - Enables plug-ins that can operate globally on all audio streams of the system
- **12 band parametric equalizer SKPI plug-in**
  - Constant, system-level effects tuned to optimize a particular platform can be combined with user-mode "presets" tailored for specific acoustical environments and applications
  - System-level effects automatically disabled when external connections made
- **Dynamics Processing SKPI plug-in**
  - Enables improved voice articulation
  - Compressor/limiter allows higher average noise level without resonances
- **Dolby PC Entertainment Experience Logo Program**
  - Dolby Master Studio<sup>™</sup> (STAC9274D)
  - Dolby Home Theater<sup>™</sup> (STAC9271D, STAC9274D)
  - Dolby Sound Room<sup>™</sup> (STAC9271D, STAC9274D)
- **Dolby Technologies**
  - Dolby Headphone<sup>™</sup>, Dolby Virtual Speaker<sup>™</sup>
  - Dolby ProLogic II<sup>™</sup>, Dolby ProLogic IIX<sup>™</sup>
  - Dolby Digital Live<sup>™</sup>
- **Intel Audio Studio<sup>™</sup> from Sonic Focus**
- **Maxx Player<sup>™</sup> from Waves**
- **Microphone Beam Forming, Acoustic Echo Cancellation, & Noise Suppression from Knowles<sup>™</sup>**

## Table of Contents

<b>1. DESCRIPTION</b> .....	<b>14</b>
<b>2. CHARACTERISTICS</b> .....	<b>15</b>
2.1. Audio Fidelity .....	15
2.2. Electrical Specifications .....	15
2.2.1. Absolute Maximum Ratings .....	15
2.2.2. Recommended Operation Conditions .....	15
2.3. STAC9271/74 5 V, 4.5 V, 4.0 V and 3.3 V Analog Performance Characteristics .....	17
<b>3. DETAILED DESCRIPTION</b> .....	<b>21</b>
3.1. Universal Jacks™ .....	21
3.1.1. Audio Jack Presence Detect .....	21
3.2. SPDIF Input .....	22
3.3. SPDIF Output .....	23
3.4. ADAT® Output (STAC9274) .....	23
3.5. Digital Microphone Support (STAC9274) .....	23
3.6. Analog PC-Beep .....	27
3.7. Headphone Drivers (Restrictions) .....	27
3.8. Device IDs .....	27
<b>4. FUNCTIONAL BLOCK DIAGRAMS</b> .....	<b>28</b>
4.1. STAC9274 .....	28
4.2. STAC9271 .....	29
<b>5. WIDGET DIAGRAM</b> .....	<b>30</b>
5.1. Pin Configuration Default Register Settings .....	31
<b>6. WIDGET INFORMATION</b> .....	<b>32</b>
6.1. Root Node (NID = 0x00) .....	34
6.1.1. Root ID .....	34
6.1.2. Root RevID .....	34
6.1.3. Root NodeInfo .....	35
6.2. AFG Node (NID = 0x01) .....	35
6.2.1. AFG Reset .....	35
6.2.2. AFG NodeInfo .....	36
6.2.3. AFG Type .....	36
6.2.4. AFG Type .....	36
6.2.5. AFG PCMCap .....	37
6.2.6. AFG Stream .....	38
6.2.7. AFG InAmpCap .....	39
6.2.8. AFG SupPwrState .....	39
6.2.9. AFG GPIOCnt .....	40
6.2.10. AFG OutAmpCap .....	41
6.2.11. AFG PwrState .....	41
6.2.12. AFG UnsolResp .....	42
6.2.13. AFG GPIO .....	42
6.2.14. AFG GPIOEn .....	43
6.2.15. AFG GPIODir .....	44
6.2.16. AFG GPIOWakeEn .....	45
6.2.17. AFG GPIOUnsol .....	46
6.2.18. AFG GPIOSticky .....	47
6.2.19. AFG SubID .....	48
6.2.20. AFG TCKT .....	49
6.2.21. AFG Sply .....	49
6.2.22. AFG DACMode .....	50
6.2.23. AFG GPIOPlrty .....	51
6.2.24. AFG GPIODrive .....	52
6.2.25. AFG DMic .....	53

6.3. DAC0 Node (NID = 0x02)	54
6.3.1. DAC0 Cnvtr	54
6.3.2. DAC0 OutAmpRight	55
6.3.3. DAC0 OutAmpLeft	55
6.3.4. DAC0 WCap	56
6.3.5. DAC0 PwrState	57
6.3.6. DAC0 CnvtrID	57
6.3.7. DAC0 LR	58
6.4. DAC1 Node (NID = 0x03)	58
6.4.1. DAC1 Cnvtr	58
6.4.2. DAC1 OutAmpRight	60
6.4.3. DAC1 OutAmpLeft	60
6.4.4. DAC1 WCap	60
6.4.5. DAC1 PwrState	61
6.4.6. DAC1 CnvtrID	62
6.4.7. DAC1 LR	63
6.5. DAC2 Node (NID = 0x04)	63
6.5.1. DAC2 Cnvtr	63
6.5.2. DAC2 OutAmpRight	64
6.5.3. DAC2 OutAmpLeft	65
6.5.4. DAC2 WCap	65
6.5.5. DAC2 PwrState	66
6.5.6. DAC2 CnvtrID	67
6.5.7. DAC2 LR	67
6.6. DAC3 Node (NID = 0x05)	68
6.6.1. DAC3 Cnvtr	68
6.6.2. DAC3 OutAmpRight	69
6.6.3. DAC3 OutAmpLeft	70
6.6.4. DAC3 WCap	70
6.6.5. DAC3 PwrState	71
6.6.6. DAC3 CnvtrID	72
6.6.7. DAC3 LR	72
6.7. DAC4 Node (NID = 0x06)	73
6.7.1. DAC4 Cnvtr	73
6.7.2. DAC4 OutAmpRight	74
6.7.3. DAC4 OutAmpLeft	74
6.7.4. DAC4 WCap	75
6.7.5. DAC4 PwrState	76
6.7.6. DAC4 CnvtrID	76
6.7.7. DAC4 LR	77
6.8. ADC0 Node (NID = 0x07)	77
6.8.1. ADC0 Cnvtr	77
6.8.2. ADC0 WCap	79
6.8.3. ADC0 ConLst	80
6.8.4. ADC0 ConLstEntry	80
6.8.5. ADC0 ProcState	80
6.8.6. ADC0 PwrState	81
6.8.7. ADC0 CnvtrID	82
6.9. ADC1 Node (NID = 0x08)	82
6.9.1. ADC1 Cnvtr	82
6.9.2. ADC1 WCap	83
6.9.3. ADC1 ConLst	84
6.9.4. ADC1 ConLstEntry	85
6.9.5. ADC1 ProcState	85
6.9.6. ADC1 PwrState	86

6.9.7. ADC1 CnvtrID .....	87
6.10. ADC2 Node (NID = 0x09) .....	87
6.10.1. ADC2 Cnvtr .....	87
6.10.2. ADC2 WCap .....	88
6.10.3. ADC2 ConLst .....	89
6.10.4. ADC2 ConLstEntry .....	90
6.10.5. ADC2 ProcState .....	90
6.10.6. ADC2 PwrState .....	91
6.10.7. ADC2 CnvtrID .....	92
6.11. SPDIFOut Node (NID = 0x1E) .....	92
6.11.1. SPDIFOut Cnvtr .....	92
6.11.2. SPDIFOut WCap .....	93
6.11.3. SPDIFOut PCM .....	94
6.11.4. SPDIFOut Stream .....	96
6.11.5. SPDIFOut CnvtrID .....	96
6.11.6. SPDIFOut DigCnvtr .....	97
6.12. SPDIFIn Node (NID = 0x20) .....	97
6.12.1. SPDIFIn Cnvtr .....	97
6.12.2. SPDIFIn WCap .....	99
6.12.3. SPDIFIn PCMCap .....	100
6.12.4. SPDIFIn Stream .....	101
6.12.5. SPDIFIn ConLst .....	101
6.12.6. SPDIFIn ConLstEntry .....	101
6.12.7. SPDIFIn CnvtrID .....	102
6.12.8. SPDIFIn DigCnvtr .....	102
6.12.9. SPDIFIn VCSRO .....	103
6.13. PortA Node (NID = 0x0A) .....	105
6.13.1. PortA WCap .....	105
6.13.2. PortA PinCap .....	106
6.13.3. PortA ConLst .....	107
6.13.4. PortA ConLstEntry .....	108
6.13.5. PortA ConSelectCtrl .....	108
6.13.6. PortA PinWCntrl .....	109
6.13.7. PortA UnsolResp .....	109
6.13.8. PortA ChSense .....	110
6.13.9. PortA ConfigDefault .....	111
6.14. PortB Node (NID = 0x0B) .....	111
6.14.1. PortB WCap .....	111
6.14.2. PortB PinCap .....	112
6.14.3. PortB ConLst .....	113
6.14.4. PortB ConLstEntry .....	114
6.14.5. PortB ConSelectCtrl .....	114
6.14.6. PortB PinWCntrl .....	115
6.14.7. PortB UnsolResp .....	115
6.14.8. PortB ChSense .....	116
6.14.9. PortB ConfigDefault .....	117
6.15. PortC Node (NID = 0x0C) .....	117
6.15.1. PortC WCap .....	117
6.15.2. PortC PinCap .....	118
6.15.3. PortC ConLst .....	119
6.15.4. PortC ConLstEntry .....	120
6.15.5. PortC PinWCntrl .....	120
6.15.6. PortC UnsolResp .....	121
6.15.7. PortC ChSense .....	121
6.15.8. PortC ConfigDefault .....	122

6.16. PortD Node (NID = 0x0D) .....	123
6.16.1. PortD WCap .....	123
6.16.2. PortD PinCap .....	124
6.16.3. PortD ConLst .....	124
6.16.4. PortD ConLstEntry .....	125
6.16.5. PortD PinWCntrl .....	125
6.16.6. PortD UnsolResp .....	126
6.16.7. PortD ChSense .....	127
6.16.8. PortD ConfigDefault .....	127
6.17. PortE Node (NID = 0x0E) .....	128
6.17.1. PortE WCap .....	128
6.17.2. PortE PinCap .....	129
6.17.3. PortE ConLst .....	130
6.17.4. PortE ConLstEntry .....	130
6.17.5. PortE PinWCntrl .....	131
6.17.6. PortE UnsolResp .....	131
6.17.7. PortE ChSense .....	132
6.17.8. PortE ConfigDefault .....	132
6.18. PortF Node (NID = 0x0F) .....	133
6.18.1. PortF WCap .....	133
6.18.2. PortF PinCap .....	134
6.18.3. PortF ConLst .....	135
6.18.4. PortF ConLstEntry .....	136
6.18.5. PortF PinWCntrl .....	136
6.18.6. PortF UnsolResp .....	137
6.18.7. PortF ChSense .....	137
6.18.8. PortF ConfigDefault .....	138
6.19. PortG Node (NID = 0x10) .....	139
6.19.1. PortG WCap .....	139
6.19.2. PortG PinCap .....	140
6.19.3. PortG ConLst .....	140
6.19.4. PortG ConLstEntry .....	141
6.19.5. PortG PinWCntrl .....	141
6.19.6. PortG UnsolResp .....	142
6.19.7. PortG ChSense .....	142
6.19.8. PortG ConfigDefault .....	143
6.20. PortH Node (NID = 0x11) .....	144
6.20.1. PortH WCap .....	144
6.20.2. PortH PinCap .....	145
6.20.3. PortH ConLst .....	145
6.20.4. PortH ConLstEntry .....	146
6.20.5. PortH PinWCntrl .....	146
6.20.6. PortH UnsolResp .....	147
6.20.7. PortH ChSense .....	147
6.20.8. PortH ConfigDefault .....	148
6.21. DMic0 Node (NID = 0x13) .....	149
6.21.1. DMic0 WCap .....	149
6.21.2. DMic0 PinCap .....	150
6.21.3. DMic0 PinWCntrl .....	151
6.21.4. DMic0 ConfigDefault .....	151
6.22. DMic1 Node (NID = 0x14) .....	152
6.22.1. DMic1 WCap .....	152
6.22.2. DMic1 PinCap .....	153
6.22.3. DMic1 PinWCntrl .....	154
6.22.4. DMic1 ConfigDefault .....	154

6.23. DigOut0 Node (NID = 0x21)	155
6.23.1. DigOut0 WCap	155
6.23.2. DigOut0 PinCap	156
6.23.3. DigOut0 ConLst	157
6.23.4. DigOut0 ConLstEntry0	157
6.23.5. DigOut0 ConLstEntry4	158
6.23.6. DigOut0 ConSelectCtrl	158
6.23.7. DigOut0 PinWCntrl	158
6.23.8. DigOut0 ConfigDefault	159
6.24. DigIn Node (NID = 0x22)	160
6.24.1. DigIn WCap	160
6.24.2. DigIn PinCap	161
6.24.3. DigIn PwrState	161
6.24.4. DigIn PinWCntrl	162
6.24.5. DigIn UnsolResp	162
6.24.6. DigIn ChSense	163
6.24.7. DigIn EAPD	164
6.24.8. DigIn ConfigDefault	164
6.25. InPort0Mux Node (NID = 0x15)	165
6.25.1. InPort0Mux WCap	165
6.25.2. InPort0Mux ConLst	166
6.25.3. InPort0Mux OutAmpCap	166
6.25.4. InPort0Mux OutAmpRight	167
6.25.5. InPort0Mux OutAmpLeft	167
6.25.6. InPort0Mux ConSelectCtrl	168
6.25.7. InPort0Mux ConLstEntry0	168
6.25.8. InPort0Mux ConLstEntry4	169
6.25.9. InPort0Mux ConLstEntry8	169
6.26. InPort1Mux Node (NID = 0x16)	170
6.26.1. InPort1Mux WCap	170
6.26.2. InPort1Mux ConLst	171
6.26.3. InPort1Mux OutAmpCap	171
6.26.4. InPort1Mux OutAmpRight	172
6.26.5. InPort1Mux OutAmpLeft	172
6.26.6. InPort1Mux ConSelectCtrl	173
6.26.7. InPort1Mux ConLstEntry0	173
6.26.8. InPort1Mux ConLstEntry4	173
6.26.9. InPort1Mux ConLstEntry8	174
6.27. InPort2Mux Node (NID = 0x17)	174
6.27.1. InPort2Mux WCap	174
6.27.2. InPort2Mux ConLst	175
6.27.3. InPort2Mux OutAmpCap	176
6.27.4. InPort2Mux OutAmpRight	176
6.27.5. InPort2Mux OutAmpLeft	177
6.27.6. InPort2Mux ConSelectCtrl	177
6.27.7. InPort2Mux ConLstEntry0	178
6.27.8. InPort2Mux ConLstEntry4	178
6.27.9. InPort2Mux ConLstEntry8	179
6.28. PCBEEP Node (NID = 0x23)	179
6.28.1. PCBEEP OutAmpLeft	179
6.28.2. PCBEEP WCap	180
6.28.3. PCBEEP OutAmpCap	180
6.28.4. PCBEEP Gen	181
6.29. CD Node (NID = 0x12)	182
6.29.1. CD WCap	182

6.29.2. CD PinCap .....	183
6.29.3. CD PinWCntrl .....	183
6.29.4. CD ConfigDefault .....	184
6.30. ADATOut Node (NID = 0x1F) .....	185
6.30.1. ADATOut Cnvtr .....	185
6.30.2. ADATOut WCap .....	186
6.30.3. ADATOut CnvtrID .....	187
6.30.4. ADATOut DigCnvtr .....	187
6.30.5. ADATOut VCSR0 .....	188
6.31. VolumeKnob Node (NID = 0x24) .....	189
6.31.1. VolumeKnob WCap .....	189
6.31.2. VolumeKnob VolKnobCap .....	190
6.31.3. VolumeKnob ConLst .....	190
6.31.4. VolumeKnob ConLstEntry0 .....	191
6.31.5. VolumeKnob ConLstEntry4 .....	191
6.31.6. VolumeKnob UnsolResp .....	192
6.31.7. VolumeKnob Cntrl .....	192
6.31.8. VolumeKnob VCSR0 .....	193
6.32. InPort0Vol Node (NID = 0x18) .....	193
6.32.1. InPort0Vol WCap .....	193
6.32.2. InPort0Vol ConLst .....	194
6.32.3. InPort0Vol InAmpRight .....	195
6.32.4. InPort0Vol InAmpLeft .....	195
6.32.5. InPort0Vol ConLstEntry .....	196
6.33. InPort1Vol Node (NID = 0x19) .....	196
6.33.1. InPort1Vol WCap .....	196
6.33.2. InPort1Vol ConLst .....	197
6.33.3. InPort1Vol InAmpRight .....	198
6.33.4. InPort1Vol InAmpLeft .....	198
6.33.5. InPort1Vol ConLstEntry .....	198
6.34. InPort2Vol Node (NID = 0x1A) .....	199
6.34.1. InPort2Vol WCap .....	199
6.34.2. InPort2Vol ConLst .....	200
6.34.3. InPort2Vol InAmpRight .....	200
6.34.4. InPort2Vol InAmpLeft .....	201
6.34.5. InPort2Vol ConLstEntry .....	201
6.35. ADC0Mux Node (NID = 0x1B) .....	202
6.35.1. ADC0Mux WCap .....	202
6.35.2. ADC0Mux ConLst .....	203
6.35.3. ADC0Mux ConSelectCtrl .....	203
6.35.4. ADC0Mux ConLstEntry .....	203
6.35.5. ADC0Mux LR .....	204
6.35.6. ADC0Mux OutAmpCap .....	204
6.35.7. ADC0Mux OutAmpRight .....	205
6.35.8. ADC0Mux OutAmpLeft .....	205
6.36. ADC1Mux Node (NID = 0x1C) .....	206
6.36.1. ADC1Mux WCap .....	206
6.36.2. ADC1Mux ConLst .....	207
6.36.3. ADC1Mux ConSelectCtrl .....	207
6.36.4. ADC1Mux ConLstEntry .....	208
6.36.5. ADC1Mux LR .....	208
6.36.6. ADC1Mux OutAmpCap .....	209
6.36.7. ADC1Mux OutAmpRight .....	209
6.36.8. ADC1Mux OutAmpLeft .....	210
6.37. ADC2Mux Node (NID = 0x1D) .....	210

6.37.1. ADC2Mux WCap .....	210
6.37.2. ADC2Mux ConLst .....	211
6.37.3. ADC2Mux ConSelectCtrl .....	212
6.37.4. ADC2Mux ConLstEntry .....	212
6.37.5. ADC2Mux LR .....	213
6.37.6. ADC2Mux OutAmpCap .....	213
6.37.7. ADC2Mux OutAmpRight .....	214
6.37.8. ADC2Mux OutAmpLeft .....	214
<b>7. ORDERING INFORMATION .....</b>	<b>215</b>
7.1. Part Order Numbers .....	215
<b>8. PIN INFORMATION .....</b>	<b>216</b>
8.1. Pin Diagram .....	216
8.2. Pin Table .....	217
<b>9. PACKAGE OUTLINE AND PACKAGE DIMENSIONS .....</b>	<b>219</b>
9.1. 48-Pin LQFP .....	219
<b>10. SOLDER REFLOW PROFILE .....</b>	<b>220</b>
10.1. Standard Reflow Profile Data .....	220
10.2. Pb Free Process - Package Classification Reflow Temperatures .....	221
<b>11. REVISION HISTORY .....</b>	<b>222</b>

## List of Figures

Figure 1. Single Digital Microphone (data is ported to both left and right channels) .....	25
Figure 2. Stereo Digital Microphone Configuration .....	25
Figure 3. Quad Digital Microphone Configuration .....	26
Figure 4. 48-Pin LQFP Pinout .....	216
Figure 5. 48-Pin LQFP Package Outline and Package Dimensions .....	219
Figure 6. Reflow Profile .....	220

## List of Tables

Table 1. Impedance Sense .....	26
Table 3. Valid Digital Microphone Configurations .....	29
Table 4. DMIC_CLK and DMIC_0,1 Operation During Power States .....	29
Table 5. CODEC IDs .....	32
Table 6. Pin Configuration Default Settings .....	36
Table 7. High Definition Audio Widget .....	37
Table 8. Root ID Command Verb Format .....	39
Table 9. Root ID Command Response Format .....	39
Table 10. Root ReVID Command Verb Format .....	39
Table 11. Root ReVID Command Response Format .....	39
Table 12. Root NodeInfo Command Verb Format .....	40
Table 13. Root NodeInfo Command Response Format .....	40
Table 14. AFG Reset Command Verb Format .....	40
Table 15. AFG Reset Command Response Format .....	40
Table 16. AFG NodeInfo Command Verb Format .....	41
Table 17. AFG NodeInfo Command Response Format .....	41
Table 18. AFG Type Command Verb Format .....	41
Table 19. AFG Type Command Response Format .....	41
Table 20. AFG Cap Command Verb Format .....	41



Table 21. AFG Cap Command Response Format .....	42
Table 22. AFG PCMCap Command Verb Format .....	42
Table 23. AFG PCMCap Command Response Format .....	42
Table 24. AFG Stream Command Verb Format .....	43
Table 25. AFG Stream Command Response Format .....	43
Table 26. AFG InAmpCap Command Verb Format .....	44
Table 27. AFG InAmpCap Command Response Format .....	44
Table 28. AFG SupPwrState Command Verb Format .....	44
Table 29. AFG SupPwrState Command Response Format .....	44
Table 30. AFG GPIOCnt Command Verb Format .....	45
Table 31. AFG GPIOCnt Command Response Format .....	45
Table 32. AFG OutAmpCap Command Verb Format .....	46
Table 33. AFG OutAmpCap Command Response Format .....	46
Table 34. AFG PwrState Command Verb Format .....	46
Table 35. AFG PwrState Command Response Format .....	46
Table 36. AFG UnsolResp Command Verb Format .....	47
Table 37. AFG UnsolResp Command Response Format .....	47
Table 38. AFG GPIO Command Verb Format .....	47
Table 39. AFG GPIO Command Response Format .....	48
Table 40. AFG GPIOEn Command Verb Format .....	48
Table 41. AFG GPIOEn Command Response Format .....	49
Table 42. AFG GPIODir Command Verb Format .....	49
Table 43. AFG GPIODir Command Response Format .....	49
Table 44. AFG GPIOWakeEn Command Verb Format .....	50
Table 45. AFG GPIOWakeEn Command Response Format .....	50
Table 46. AFG GPIOUnsol Command Verb Format .....	51
Table 47. AFG GPIOUnsol Command Response Format .....	51
Table 48. AFG GPIOSticky Command Verb Format .....	52
Table 49. AFG GPIOSticky Command Response Format .....	52
Table 50. AFG SubID Command Verb Format .....	53
Table 51. AFG SubID Command Response Format .....	54
Table 52. AFG TCKT Command Verb Format .....	54
Table 53. AFG TCKT Command Response Format .....	54
Table 54. AFG Sply Command Verb Format .....	54
Table 55. AFG Sply Command Response Format .....	55
Table 56. AFG DACMode Command Verb Format .....	55
Table 57. AFG DACMode Command Response Format .....	55
Table 58. AFG GPIOIrty Command Verb Format .....	56
Table 59. AFG GPIOIrty Command Response Format .....	56
Table 60. AFG GPIODrive Command Verb Format .....	57
Table 61. AFG GPIODrive Command Response Format .....	57
Table 62. AFG DMic Command Verb Format .....	58
Table 63. AFG DMic Command Response Format .....	58
Table 64. DAC0 Cnvtr Command Verb Format .....	59
Table 65. DAC0 Cnvtr Command Response Format .....	59
Table 66. DAC0 OutAmpRight Command Verb Format .....	60
Table 67. DAC0 OutAmpRight Command Response Format .....	60
Table 68. DAC0 OutAmpLeft Command Verb Format .....	60
Table 69. DAC0 OutAmpLeft Command Response Format .....	61
Table 70. DAC0 WCap Command Verb Format .....	61
Table 71. DAC0 WCap Command Response Format .....	61
Table 72. DAC0 PwrState Command Verb Format .....	62
Table 73. DAC0 PwrState Command Response Format .....	62
Table 74. DAC0 CnvtrID Command Verb Format .....	62
Table 75. DAC0 CnvtrID Command Response Format .....	63

Table 76. DAC0 LR Command Verb Format .....	63
Table 77. DAC0 LR Command Response Format .....	63
Table 78. DAC1 Cnvtr Command Verb Format .....	63
Table 79. DAC1 Cnvtr Command Response Format .....	64
Table 80. DAC1 OutAmpRight Command Verb Format .....	65
Table 81. DAC1 OutAmpRight Command Response Format .....	65
Table 82. DAC1 OutAmpLeft Command Verb Format .....	65
Table 83. DAC1 OutAmpLeft Command Response Format .....	65
Table 84. DAC1 WCap Command Verb Format .....	65
Table 85. DAC1 WCap Command Response Format .....	66
Table 86. DAC1 PwrState Command Verb Format .....	66
Table 87. DAC1 PwrState Command Response Format .....	67
Table 88. DAC1 CnvtrID Command Verb Format .....	67
Table 89. DAC1 CnvtrID Command Response Format .....	67
Table 90. DAC1 LR Command Verb Format .....	68
Table 91. DAC1 LR Command Response Format .....	68
Table 92. DAC2 Cnvtr Command Verb Format .....	68
Table 93. DAC2 Cnvtr Command Response Format .....	68
Table 94. DAC2 OutAmpRight Command Verb Format .....	69
Table 95. DAC2 OutAmpRight Command Response Format .....	70
Table 96. DAC2 OutAmpLeft Command Verb Format .....	70
Table 97. DAC2 OutAmpLeft Command Response Format .....	70
Table 98. DAC2 WCap Command Verb Format .....	70
Table 99. DAC2 WCap Command Response Format .....	70
Table 100. DAC2 PwrState Command Verb Format .....	71
Table 101. DAC2 PwrState Command Response Format .....	71
Table 102. DAC2 CnvtrID Command Verb Format .....	72
Table 103. DAC2 CnvtrID Command Response Format .....	72
Table 104. DAC2 LR Command Verb Format .....	72
Table 105. DAC2 LR Command Response Format .....	73
Table 106. DAC3 Cnvtr Command Verb Format .....	73
Table 107. DAC3 Cnvtr Command Response Format .....	73
Table 108. DAC3 OutAmpRight Command Verb Format .....	74
Table 109. DAC3 OutAmpRight Command Response Format .....	74
Table 110. DAC3 OutAmpLeft Command Verb Format .....	75
Table 111. DAC3 OutAmpLeft Command Response Format .....	75
Table 112. DAC3 WCap Command Verb Format .....	75
Table 113. DAC3 WCap Command Response Format .....	75
Table 114. DAC3 PwrState Command Verb Format .....	76
Table 115. DAC3 PwrState Command Response Format .....	76
Table 116. DAC3 CnvtrID Command Verb Format .....	77
Table 117. DAC3 CnvtrID Command Response Format .....	77
Table 118. DAC3 LR Command Verb Format .....	77
Table 119. DAC3 LR Command Response Format .....	77
Table 120. DAC4 Cnvtr Command Verb Format .....	78
Table 121. DAC4 Cnvtr Command Response Format .....	78
Table 122. DAC4 OutAmpRight Command Verb Format .....	79
Table 123. DAC4 OutAmpRight Command Response Format .....	79
Table 124. DAC4 OutAmpLeft Command Verb Format .....	79
Table 125. DAC4 OutAmpLeft Command Response Format .....	80
Table 126. DAC4 WCap Command Verb Format .....	80
Table 127. DAC4 WCap Command Response Format .....	80
Table 128. DAC4 PwrState Command Verb Format .....	81
Table 129. DAC4 PwrState Command Response Format .....	81
Table 130. DAC4 CnvtrID Command Verb Format .....	81
Table 131. DAC4 CnvtrID Command Response Format .....	82
Table 132. DAC4 LR Command Verb Format .....	82
Table 133. DAC4 LR Command Response Format .....	82

Table 134. ADC0 Cnvtr Command Verb Format .....	82
Table 135. ADC0 Cnvtr Command Response Format .....	83
Table 136. ADC0 WCap Command Verb Format .....	84
Table 137. ADC0 WCap Command Response Format .....	84
Table 138. ADC0 ConLst Command Verb Format .....	85
Table 139. ADC0 ConLst Command Response Format .....	85
Table 140. ADC0 ConLstEntry Command Verb Format .....	85
Table 141. ADC0 ConLstEntry Command Response Format .....	85
Table 142. ADC0 ProcState Command Verb Format .....	85
Table 143. ADC0 ProcState Command Response Format .....	86
Table 144. ADC0 PwrState Command Verb Format .....	86
Table 145. ADC0 PwrState Command Response Format .....	86
Table 146. ADC0 CnvtrID Command Verb Format .....	87
Table 147. ADC0 CnvtrID Command Response Format .....	87
Table 148. ADC1 Cnvtr Command Verb Format .....	87
Table 149. ADC1 Cnvtr Command Response Format .....	87
Table 150. ADC1 WCap Command Verb Format .....	88
Table 151. ADC1 WCap Command Response Format .....	89
Table 152. ADC1 ConLst Command Verb Format .....	89
Table 153. ADC1 ConLst Command Response Format .....	90
Table 154. ADC1 ConLstEntry Command Verb Format .....	90
Table 155. ADC1 ConLstEntry Command Response Format .....	90
Table 156. ADC1 ProcState Command Verb Format .....	90
Table 157. ADC1 ProcState Command Response Format .....	91
Table 158. ADC1 PwrState Command Verb Format .....	91
Table 159. ADC1 PwrState Command Response Format .....	91
Table 160. ADC1 CnvtrID Command Verb Format .....	92
Table 161. ADC1 CnvtrID Command Response Format .....	92
Table 162. ADC2 Cnvtr Command Verb Format .....	92
Table 163. ADC2 Cnvtr Command Response Format .....	92
Table 164. ADC2 WCap Command Verb Format .....	93
Table 165. ADC2 WCap Command Response Format .....	94
Table 166. ADC2 ConLst Command Verb Format .....	94
Table 167. ADC2 ConLst Command Response Format .....	95
Table 168. ADC2 ConLstEntry Command Verb Format .....	95
Table 169. ADC2 ConLstEntry Command Response Format .....	95
Table 170. ADC2 ProcState Command Verb Format .....	95
Table 171. ADC2 ProcState Command Response Format .....	96
Table 172. ADC2 PwrState Command Verb Format .....	96
Table 173. ADC2 PwrState Command Response Format .....	96
Table 174. ADC2 CnvtrID Command Verb Format .....	97
Table 175. ADC2 CnvtrID Command Response Format .....	97
Table 176. SPDIFOut Cnvtr Command Verb Format .....	97
Table 177. SPDIFOut Cnvtr Command Response Format .....	97
Table 178. SPDIFOut WCap Command Verb Format .....	98
Table 179. SPDIFOut WCap Command Response Format .....	99
Table 180. SPDIFOut PCM Command Verb Format .....	99
Table 181. SPDIFOut PCM Command Response Format .....	100
Table 182. SPDIFOut Stream Command Verb Format .....	101
Table 183. SPDIFOut Stream Command Response Format .....	101
Table 184. SPDIFOut CnvtrID Command Verb Format .....	101
Table 185. SPDIFOut CnvtrID Command Response Format .....	101
Table 186. SPDIFOut DigCnvtr Command Verb Format .....	102
Table 187. SPDIFOut DigCnvtr Command Response Format .....	102
Table 188. SPDIFIn Cnvtr Command Verb Format .....	102

Table 189. SPDIFIn Cnvtr Command Response Format .....	103
Table 190. SPDIFIn WCap Command Verb Format .....	104
Table 191. SPDIFIn WCap Command Response Format .....	104
Table 192. SPDIFIn PCMCap Command Verb Format .....	105
Table 193. SPDIFIn PCMCap Command Response Format .....	105
Table 194. SPDIFIn Stream Command Verb Format .....	106
Table 195. SPDIFIn Stream Command Response Format .....	106
Table 196. SPDIFIn ConLst Command Verb Format .....	106
Table 197. SPDIFIn ConLst Command Response Format .....	106
Table 198. SPDIFIn ConLstEntry Command Verb Format .....	106
Table 199. SPDIFIn ConLstEntry Command Response Format .....	107
Table 200. SPDIFIn CnvtrID Command Verb Format .....	107
Table 201. SPDIFIn CnvtrID Command Response Format .....	107
Table 202. SPDIFIn DigCnvtr Command Verb Format .....	107
Table 203. SPDIFIn DigCnvtr Command Response Format .....	108
Table 204. SPDIFIn VCSR0 Command Verb Format .....	108
Table 205. SPDIFIn VCSR0 Command Response Format .....	108
Table 206. PortA WCap Command Verb Format .....	110
Table 207. PortA WCap Command Response Format .....	111
Table 208. PortA PinCap Command Verb Format .....	111
Table 209. PortA PinCap Command Response Format .....	112
Table 210. PortA ConLst Command Verb Format .....	112
Table 211. PortA ConLst Command Response Format .....	112
Table 212. PortA ConLstEntry Command Verb Format .....	113
Table 213. PortA ConLstEntry Command Response Format .....	113
Table 214. PortA ConSelectCtrl Command Verb Format .....	113
Table 215. PortA ConSelectCtrl Command Response Format .....	113
Table 216. PortA PinWCntrl Command Verb Format .....	114
Table 217. PortA PinWCntrl Command Response Format .....	114
Table 218. PortA UnsolResp Command Verb Format .....	114
Table 219. PortA UnsolResp Command Response Format .....	115
Table 220. PortA ChSense Command Verb Format .....	115
Table 221. PortA ChSense Command Response Format .....	115
Table 222. PortA ConfigDefault Command Verb Format .....	116
Table 223. PortA ConfigDefault Command Response Format .....	116
Table 224. PortB WCap Command Verb Format .....	116
Table 225. PortB WCap Command Response Format .....	117
Table 226. PortB PinCap Command Verb Format .....	117
Table 227. PortB PinCap Command Response Format .....	118
Table 228. PortB ConLst Command Verb Format .....	118
Table 229. PortB ConLst Command Response Format .....	118
Table 230. PortB ConLstEntry Command Verb Format .....	119
Table 231. PortB ConLstEntry Command Response Format .....	119
Table 232. PortB ConSelectCtrl Command Verb Format .....	119
Table 233. PortB ConSelectCtrl Command Response Format .....	119
Table 234. PortB PinWCntrl Command Verb Format .....	120
Table 235. PortB PinWCntrl Command Response Format .....	120
Table 236. PortB UnsolResp Command Verb Format .....	120
Table 237. PortB UnsolResp Command Response Format .....	121
Table 238. PortB ChSense Command Verb Format .....	121
Table 239. PortB ChSense Command Response Format .....	121
Table 240. PortB ConfigDefault Command Verb Format .....	122
Table 241. PortB ConfigDefault Command Response Format .....	122
Table 242. PortC WCap Command Verb Format .....	122
Table 243. PortC WCap Command Response Format .....	123

Table 244. PortC PinCap Command Verb Format .....	123
Table 245. PortC PinCap Command Response Format .....	124
Table 246. PortC ConLst Command Verb Format .....	124
Table 247. PortC ConLst Command Response Format .....	124
Table 248. PortC ConLstEntry Command Verb Format .....	125
Table 249. PortC ConLstEntry Command Response Format .....	125
Table 250. PortC PinWCntrl Command Verb Format .....	125
Table 251. PortC PinWCntrl Command Response Format .....	125
Table 252. PortC UnsolResp Command Verb Format .....	126
Table 253. PortC UnsolResp Command Response Format .....	126
Table 254. PortC ChSense Command Verb Format .....	126
Table 255. PortC ChSense Command Response Format .....	126
Table 256. PortC ConfigDefault Command Verb Format .....	127
Table 257. PortC ConfigDefault Command Response Format .....	127
Table 258. PortD WCap Command Verb Format .....	128
Table 259. PortD WCap Command Response Format .....	128
Table 260. PortD PinCap Command Verb Format .....	129
Table 261. PortD PinCap Command Response Format .....	129
Table 262. PortD ConLst Command Verb Format .....	129
Table 263. PortD ConLst Command Response Format .....	130
Table 264. PortD ConLstEntry Command Verb Format .....	130
Table 265. PortD ConLstEntry Command Response Format .....	130
Table 266. PortD PinWCntrl Command Verb Format .....	130
Table 267. PortD PinWCntrl Command Response Format .....	131
Table 268. PortD UnsolResp Command Verb Format .....	131
Table 269. PortD UnsolResp Command Response Format .....	131
Table 270. PortD ChSense Command Verb Format .....	132
Table 271. PortD ChSense Command Response Format .....	132
Table 272. PortD ConfigDefault Command Verb Format .....	132
Table 273. PortD ConfigDefault Command Response Format .....	133
Table 274. PortE WCap Command Verb Format .....	133
Table 275. PortE WCap Command Response Format .....	133
Table 276. PortE PinCap Command Verb Format .....	134
Table 277. PortE PinCap Command Response Format .....	134
Table 278. PortE ConLst Command Verb Format .....	135
Table 279. PortE ConLst Command Response Format .....	135
Table 280. PortE ConLstEntry Command Verb Format .....	135
Table 281. PortE ConLstEntry Command Response Format .....	135
Table 282. PortE PinWCntrl Command Verb Format .....	136
Table 283. PortE PinWCntrl Command Response Format .....	136
Table 284. PortE UnsolResp Command Verb Format .....	136
Table 285. PortE UnsolResp Command Response Format .....	136
Table 286. PortE ChSense Command Verb Format .....	137
Table 287. PortE ChSense Command Response Format .....	137
Table 288. PortE ConfigDefault Command Verb Format .....	137
Table 289. PortE ConfigDefault Command Response Format .....	138
Table 290. PortF WCap Command Verb Format .....	138
Table 291. PortF WCap Command Response Format .....	138
Table 292. PortF PinCap Command Verb Format .....	139
Table 293. PortF PinCap Command Response Format .....	139
Table 294. PortF ConLst Command Verb Format .....	140
Table 295. PortF ConLst Command Response Format .....	140
Table 296. PortF ConLstEntry Command Verb Format .....	141
Table 297. PortF ConLstEntry Command Response Format .....	141
Table 298. PortF PinWCntrl Command Verb Format .....	141



Table 299. PortF PinWCntrl Command Response Format .....	141
Table 300. PortF UnsolResp Command Verb Format .....	142
Table 301. PortF UnsolResp Command Response Format .....	142
Table 302. PortF ChSense Command Verb Format .....	142
Table 303. PortF ChSense Command Response Format .....	142
Table 304. PortF ConfigDefault Command Verb Format .....	143
Table 305. PortF ConfigDefault Command Response Format .....	143
Table 306. PortG WCap Command Verb Format .....	144
Table 307. PortG WCap Command Response Format .....	144
Table 308. PortG PinCap Command Verb Format .....	145
Table 309. PortG PinCap Command Response Format .....	145
Table 310. PortG ConLst Command Verb Format .....	145
Table 311. PortG ConLst Command Response Format .....	146
Table 312. PortG ConLstEntry Command Verb Format .....	146
Table 313. PortG ConLstEntry Command Response Format .....	146
Table 314. PortG PinWCntrl Command Verb Format .....	146
Table 315. PortG PinWCntrl Command Response Format .....	146
Table 316. PortG UnsolResp Command Verb Format .....	147
Table 317. PortG UnsolResp Command Response Format .....	147
Table 318. PortG ChSense Command Verb Format .....	147
Table 319. PortG ChSense Command Response Format .....	148
Table 320. PortG ConfigDefault Command Verb Format .....	148
Table 321. PortG ConfigDefault Command Response Format .....	148
Table 322. PortH WCap Command Verb Format .....	149
Table 323. PortH WCap Command Response Format .....	149
Table 324. PortH PinCap Command Verb Format .....	150
Table 325. PortH PinCap Command Response Format .....	150
Table 326. PortH ConLst Command Verb Format .....	150
Table 327. PortH ConLst Command Response Format .....	151
Table 328. PortH ConLstEntry Command Verb Format .....	151
Table 329. PortH ConLstEntry Command Response Format .....	151
Table 330. PortH PinWCntrl Command Verb Format .....	151
Table 331. PortH PinWCntrl Command Response Format .....	151
Table 332. PortH UnsolResp Command Verb Format .....	152
Table 333. PortH UnsolResp Command Response Format .....	152
Table 334. PortH ChSense Command Verb Format .....	152
Table 335. PortH ChSense Command Response Format .....	153
Table 336. PortH ConfigDefault Command Verb Format .....	153
Table 337. PortH ConfigDefault Command Response Format .....	153
Table 338. DMic0 WCap Command Verb Format .....	154
Table 339. DMic0 WCap Command Response Format .....	154
Table 340. DMic0 PinCap Command Verb Format .....	155
Table 341. DMic0 PinCap Command Response Format .....	155
Table 342. DMic0 PinWCntrl Command Verb Format .....	156
Table 343. DMic0 PinWCntrl Command Response Format .....	156
Table 344. DMic0 ConfigDefault Command Verb Format .....	156
Table 345. DMic0 ConfigDefault Command Response Format .....	156
Table 346. DMic1 WCap Command Verb Format .....	157
Table 347. DMic1 WCap Command Response Format .....	157
Table 348. DMic1 PinCap Command Verb Format .....	158
Table 349. DMic1 PinCap Command Response Format .....	158
Table 350. DMic1 PinWCntrl Command Verb Format .....	159
Table 351. DMic1 PinWCntrl Command Response Format .....	159
Table 352. DMic1 ConfigDefault Command Verb Format .....	159
Table 353. DMic1 ConfigDefault Command Response Format .....	160

Table 354. DigOut0 WCap Command Verb Format .....	160
Table 355. DigOut0 WCap Command Response Format .....	160
Table 356. DigOut0 PinCap Command Verb Format .....	161
Table 357. DigOut0 PinCap Command Response Format .....	161
Table 358. DigOut0 ConLst Command Verb Format .....	162
Table 359. DigOut0 ConLst Command Response Format .....	162
Table 360. DigOut0 ConLstEntry0 Command Verb Format .....	162
Table 361. DigOut0 ConLstEntry0 Command Response Format .....	162
Table 362. DigOut0 ConLstEntry4 Command Verb Format .....	163
Table 363. DigOut0 ConLstEntry4 Command Response Format .....	163
Table 364. DigOut0 ConSelectCtrl Command Verb Format .....	163
Table 365. DigOut0 ConSelectCtrl Command Response Format .....	163
Table 366. DigOut0 PinWCntrl Command Verb Format .....	163
Table 367. DigOut0 PinWCntrl Command Response Format .....	164
Table 368. DigOut0 ConfigDefault Command Verb Format .....	164
Table 369. DigOut0 ConfigDefault Command Response Format .....	164
Table 370. DigIn WCap Command Verb Format .....	165
Table 371. DigIn WCap Command Response Format .....	165
Table 372. DigIn PinCap Command Verb Format .....	166
Table 373. DigIn PinCap Command Response Format .....	166
Table 374. DigIn PwrState Command Verb Format .....	166
Table 375. DigIn PwrState Command Response Format .....	167
Table 376. DigIn PinWCntrl Command Verb Format .....	167
Table 377. DigIn PinWCntrl Command Response Format .....	167
Table 378. DigIn UnsolResp Command Verb Format .....	167
Table 379. DigIn UnsolResp Command Response Format .....	168
Table 380. DigIn ChSense Command Verb Format .....	168
Table 381. DigIn ChSense Command Response Format .....	168
Table 382. DigIn EAPD Command Verb Format .....	169
Table 383. DigIn EAPD Command Response Format .....	169
Table 384. DigIn ConfigDefault Command Verb Format .....	169
Table 385. DigIn ConfigDefault Command Response Format .....	169
Table 386. InPort0Mux WCap Command Verb Format .....	170
Table 387. InPort0Mux WCap Command Response Format .....	170
Table 388. InPort0Mux ConLst Command Verb Format .....	171
Table 389. InPort0Mux ConLst Command Response Format .....	171
Table 390. InPort0Mux OutAmpCap Command Verb Format .....	171
Table 391. InPort0Mux OutAmpCap Command Response Format .....	171
Table 392. InPort0Mux OutAmpRight Command Verb Format .....	172
Table 393. InPort0Mux OutAmpRight Command Response Format .....	172
Table 394. InPort0Mux OutAmpLeft Command Verb Format .....	172
Table 395. InPort0Mux OutAmpLeft Command Response Format .....	173
Table 396. InPort0Mux ConSelectCtrl Command Verb Format .....	173
Table 397. InPort0Mux ConSelectCtrl Command Response Format .....	173
Table 398. InPort0Mux ConLstEntry0 Command Verb Format .....	173
Table 399. InPort0Mux ConLstEntry0 Command Response Format .....	173
Table 400. InPort0Mux ConLstEntry4 Command Verb Format .....	174
Table 401. InPort0Mux ConLstEntry4 Command Response Format .....	174
Table 402. InPort0Mux ConLstEntry8 Command Verb Format .....	174
Table 403. InPort0Mux ConLstEntry8 Command Response Format .....	174
Table 404. InPort1Mux WCap Command Verb Format .....	175
Table 405. InPort1Mux WCap Command Response Format .....	175
Table 406. InPort1Mux ConLst Command Verb Format .....	176
Table 407. InPort1Mux ConLst Command Response Format .....	176
Table 408. InPort1Mux OutAmpCap Command Verb Format .....	176

Table 409. InPort1Mux OutAmpCap Command Response Format .....	176
Table 410. InPort1Mux OutAmpRight Command Verb Format .....	177
Table 411. InPort1Mux OutAmpRight Command Response Format .....	177
Table 412. InPort1Mux OutAmpLeft Command Verb Format .....	177
Table 413. InPort1Mux OutAmpLeft Command Response Format .....	177
Table 414. InPort1Mux ConSelectCtrl Command Verb Format .....	178
Table 415. InPort1Mux ConSelectCtrl Command Response Format .....	178
Table 416. InPort1Mux ConLstEntry0 Command Verb Format .....	178
Table 417. InPort1Mux ConLstEntry0 Command Response Format .....	178
Table 418. InPort1Mux ConLstEntry4 Command Verb Format .....	178
Table 419. InPort1Mux ConLstEntry4 Command Response Format .....	179
Table 420. InPort1Mux ConLstEntry8 Command Verb Format .....	179
Table 421. InPort1Mux ConLstEntry8 Command Response Format .....	179
Table 422. InPort2Mux WCap Command Verb Format .....	179
Table 423. InPort2Mux WCap Command Response Format .....	180
Table 424. InPort2Mux ConLst Command Verb Format .....	180
Table 425. InPort2Mux ConLst Command Response Format .....	181
Table 426. InPort2Mux OutAmpCap Command Verb Format .....	181
Table 427. InPort2Mux OutAmpCap Command Response Format .....	181
Table 428. InPort2Mux OutAmpRight Command Verb Format .....	181
Table 429. InPort2Mux OutAmpRight Command Response Format .....	182
Table 430. InPort2Mux OutAmpLeft Command Verb Format .....	182
Table 431. InPort2Mux OutAmpLeft Command Response Format .....	182
Table 432. InPort2Mux ConSelectCtrl Command Verb Format .....	182
Table 433. InPort2Mux ConSelectCtrl Command Response Format .....	183
Table 434. InPort2Mux ConLstEntry0 Command Verb Format .....	183
Table 435. InPort2Mux ConLstEntry0 Command Response Format .....	183
Table 436. InPort2Mux ConLstEntry4 Command Verb Format .....	183
Table 437. InPort2Mux ConLstEntry4 Command Response Format .....	183
Table 438. InPort2Mux ConLstEntry8 Command Verb Format .....	184
Table 439. InPort2Mux ConLstEntry8 Command Response Format .....	184
Table 440. PCBEEP OutAmpLeft Command Verb Format .....	184
Table 441. PCBEEP OutAmpLeft Command Response Format .....	184
Table 442. PCBEEP WCap Command Verb Format .....	185
Table 443. PCBEEP WCap Command Response Format .....	185
Table 444. PCBEEP OutAmpCap Command Verb Format .....	185
Table 445. PCBEEP OutAmpCap Command Response Format .....	185
Table 446. PCBEEP Gen Command Verb Format .....	186
Table 447. PCBEEP Gen Command Response Format .....	186
Table 448. CD WCap Command Verb Format .....	187
Table 449. CD WCap Command Response Format .....	187
Table 450. CD PinCap Command Verb Format .....	188
Table 451. CD PinCap Command Response Format .....	188
Table 452. CD PinWCntrl Command Verb Format .....	188
Table 453. CD PinWCntrl Command Response Format .....	189
Table 454. CD ConfigDefault Command Verb Format .....	189
Table 455. CD ConfigDefault Command Response Format .....	189
Table 456. ADATOut Cnvtr Command Verb Format .....	190
Table 457. ADATOut Cnvtr Command Response Format .....	190
Table 458. ADATOut WCap Command Verb Format .....	191
Table 459. ADATOut WCap Command Response Format .....	191
Table 460. ADATOut CnvtrID Command Verb Format .....	192
Table 461. ADATOut CnvtrID Command Response Format .....	192
Table 462. ADATOut DigCnvtr Command Verb Format .....	192
Table 463. ADATOut DigCnvtr Command Response Format .....	193



Table 464. ADATOut VCSR0 Command Verb Format .....	193
Table 465. ADATOut VCSR0 Command Response Format .....	193
Table 466. VolumeKnob WCap Command Verb Format .....	194
Table 467. VolumeKnob WCap Command Response Format .....	195
Table 468. VolumeKnob VolKnobCap Command Verb Format .....	195
Table 469. VolumeKnob VolKnobCap Command Response Format .....	195
Table 470. VolumeKnob ConLst Command Verb Format .....	195
Table 471. VolumeKnob ConLst Command Response Format .....	195
Table 472. VolumeKnob ConLstEntry0 Command Verb Format .....	196
Table 473. VolumeKnob ConLstEntry0 Command Response Format .....	196
Table 474. VolumeKnob ConLstEntry4 Command Verb Format .....	196
Table 475. VolumeKnob ConLstEntry4 Command Response Format .....	196
Table 476. VolumeKnob UnsolResp Command Verb Format .....	197
Table 477. VolumeKnob UnsolResp Command Response Format .....	197
Table 478. VolumeKnob Cntrl Command Verb Format .....	197
Table 479. VolumeKnob Cntrl Command Response Format .....	198
Table 480. VolumeKnob VCSR0 Command Verb Format .....	198
Table 481. VolumeKnob VCSR0 Command Response Format .....	198
Table 482. InPort0Vol WCap Command Verb Format .....	198
Table 483. InPort0Vol WCap Command Response Format .....	199
Table 484. InPort0Vol ConLst Command Verb Format .....	199
Table 485. InPort0Vol ConLst Command Response Format .....	200
Table 486. InPort0Vol InAmpRight Command Verb Format .....	200
Table 487. InPort0Vol InAmpRight Command Response Format .....	200
Table 488. InPort0Vol InAmpLeft Command Verb Format .....	200
Table 489. InPort0Vol InAmpLeft Command Response Format .....	200
Table 490. InPort0Vol ConLstEntry Command Verb Format .....	201
Table 491. InPort0Vol ConLstEntry Command Response Format .....	201
Table 492. InPort1Vol WCap Command Verb Format .....	201
Table 493. InPort1Vol WCap Command Response Format .....	201
Table 494. InPort1Vol ConLst Command Verb Format .....	202
Table 495. InPort1Vol ConLst Command Response Format .....	202
Table 496. InPort1Vol InAmpRight Command Verb Format .....	203
Table 497. InPort1Vol InAmpRight Command Response Format .....	203
Table 498. InPort1Vol InAmpLeft Command Verb Format .....	203
Table 499. InPort1Vol InAmpLeft Command Response Format .....	203
Table 500. InPort1Vol ConLstEntry Command Verb Format .....	203
Table 501. InPort1Vol ConLstEntry Command Response Format .....	204
Table 502. InPort2Vol WCap Command Verb Format .....	204
Table 503. InPort2Vol WCap Command Response Format .....	204
Table 504. InPort2Vol ConLst Command Verb Format .....	205
Table 505. InPort2Vol ConLst Command Response Format .....	205
Table 506. InPort2Vol InAmpRight Command Verb Format .....	205
Table 507. InPort2Vol InAmpRight Command Response Format .....	206
Table 508. InPort2Vol InAmpLeft Command Verb Format .....	206
Table 509. InPort2Vol InAmpLeft Command Response Format .....	206
Table 510. InPort2Vol ConLstEntry Command Verb Format .....	206
Table 511. InPort2Vol ConLstEntry Command Response Format .....	206
Table 512. ADC0Mux WCap Command Verb Format .....	207
Table 513. ADC0Mux WCap Command Response Format .....	207
Table 514. ADC0Mux ConLst Command Verb Format .....	208
Table 515. ADC0Mux ConLst Command Response Format .....	208
Table 516. ADC0Mux ConSelectCtrl Command Verb Format .....	208
Table 517. ADC0Mux ConSelectCtrl Command Response Format .....	208
Table 518. ADC0Mux ConLstEntry Command Verb Format .....	208

Table 519. ADC0Mux ConLstEntry Command Response Format .....	209
Table 520. ADC0Mux LR Command Verb Format .....	209
Table 521. ADC0Mux LR Command Response Format .....	209
Table 522. ADC0Mux OutAmpCap Command Verb Format .....	209
Table 523. ADC0Mux OutAmpCap Command Response Format .....	210
Table 524. ADC0Mux OutAmpRight Command Verb Format .....	210
Table 525. ADC0Mux OutAmpRight Command Response Format .....	210
Table 526. ADC0Mux OutAmpLeft Command Verb Format .....	210
Table 527. ADC0Mux OutAmpLeft Command Response Format .....	211
Table 528. ADC1Mux WCap Command Verb Format .....	211
Table 529. ADC1Mux WCap Command Response Format .....	211
Table 530. ADC1Mux ConLst Command Verb Format .....	212
Table 531. ADC1Mux ConLst Command Response Format .....	212
Table 532. ADC1Mux ConSelectCtrl Command Verb Format .....	212
Table 533. ADC1Mux ConSelectCtrl Command Response Format .....	213
Table 534. ADC1Mux ConLstEntry Command Verb Format .....	213
Table 535. ADC1Mux ConLstEntry Command Response Format .....	213
Table 536. ADC1Mux LR Command Verb Format .....	213
Table 537. ADC1Mux LR Command Response Format .....	213
Table 538. ADC1Mux OutAmpCap Command Verb Format .....	214
Table 539. ADC1Mux OutAmpCap Command Response Format .....	214
Table 540. ADC1Mux OutAmpRight Command Verb Format .....	214
Table 541. ADC1Mux OutAmpRight Command Response Format .....	215
Table 542. ADC1Mux OutAmpLeft Command Verb Format .....	215
Table 543. ADC1Mux OutAmpLeft Command Response Format .....	215
Table 544. ADC2Mux WCap Command Verb Format .....	215
Table 545. ADC2Mux WCap Command Response Format .....	215
Table 546. ADC2Mux ConLst Command Verb Format .....	216
Table 547. ADC2Mux ConLst Command Response Format .....	216
Table 548. ADC2Mux ConSelectCtrl Command Verb Format .....	217
Table 549. ADC2Mux ConSelectCtrl Command Response Format .....	217
Table 550. ADC2Mux ConLstEntry Command Verb Format .....	217
Table 551. ADC2Mux ConLstEntry Command Response Format .....	217
Table 552. ADC2Mux LR Command Verb Format .....	218
Table 553. ADC2Mux LR Command Response Format .....	218
Table 554. ADC2Mux OutAmpCap Command Verb Format .....	218
Table 555. ADC2Mux OutAmpCap Command Response Format .....	218
Table 556. ADC2Mux OutAmpRight Command Verb Format .....	219
Table 557. ADC2Mux OutAmpRight Command Response Format .....	219
Table 558. ADC2Mux OutAmpLeft Command Verb Format .....	219
Table 559. ADC2Mux OutAmpLeft Command Response Format .....	219

## 1. DESCRIPTION

The STAC9271/74 are 10-channel audio CODECs compatible with the Intel High Definition (HD) Audio Interface (formerly known as “Azalia”). The STAC9271/74 CODECs provide high quality, HD Audio capability to notebook and cost sensitive desktop PC applications.

The STAC9271/74 incorporate IDT's proprietary technology to achieve a DAC SNR up to 105dB. The higher performance and quality of IDT's audio solutions brings consumer electronics level performance to the notebook, desktop and media center PC.

The STAC9271/74 provide stereo 24-bit, full duplex resolution, supporting sample rates up to 192 KHz by the DAC and ADC. The SPDIF In/Out support sample rates of 96 KHz, 48 KHz and 44.1 KHz plus SPDIF OUT supports 88.2 KHz. Additional sample rates are supported by the driver software.

The STAC9271/74 support all desired ten channel configurations, including switchable Headphone Out, and Universal Jacks™ functionality for jack detection and re-tasking. The SPDIF interface provides connectivity to Consumer Electronic equipment like Dolby Digital decoders, powered speakers, mini disk drives or a home entertainment systems. All analog I/O pairs support LINE\_IN, LINE\_OUT and MIC.

MIC inputs can be programmed with 0/10/20/30/40dB boost. For more advanced configurations, the STAC9271/74 have up to five General Purpose I/O (GPIO) pins. Also provides a single ended CD input for compatibility with DRM solutions and to support legacy OS issues.

STAC9271/74 integrates a headphone amplifiers on Ports A, B and D. The headphone amplifier is dedicated to these three outputs for increased flexibility, enhanced user experience, and reduced implementation costs.

The Universal Jack™ feature allows the CODECs to detect when audio devices are plugged in, and for the CODECs to be reconfigured to support these devices regardless of which port they are plugged into. SPDIF input sensing is also supported. The fully parametric IDT SoftEQ can be initiated/disabled upon headphone jack insertion/removal for protection of notebook speakers. Note: The Jack Detect circuit and component selection are critical for accurate detection of audio jacks on individual ports. Please see the reference design for circuit implementation details.

The STAC9271/74 can operate with a 3.3 V digital supply and a 5 V analog supply.

The STAC9271/74 are available in a 48-pin LQFP Environmental (ROHS) packages.

## 2. CHARACTERISTICS

### 2.1. Audio Fidelity

DAC SNR:	105dB	A-Weighted	5.0 V +/- 5%
ADC SNR:	90dB	A-Weighted	5.0 V +/- 5%

### 2.2. Electrical Specifications

#### 2.2.1. Absolute Maximum Ratings

Stresses above the ratings listed below can cause permanent damage to the STAC9271/9274. These ratings, which are standard values for IDT commercially rated parts, are stress ratings only. Functional operation of the device at these or any other conditions above those indicated in the operational sections of the specifications is not implied. Exposure to absolute maximum rating conditions for extended periods can affect product reliability. Electrical parameters are guaranteed only over the recommended operating temperature range.

Item	Pin	Maximum Rating
Analog maximum supply voltage	AVdd	6 Volts
Digital maximum supply voltage	DVdd	5.5 Volts
VREFOUT output current		5 mA
Voltage on any pin relative to ground		Vss - 0.3 V to Vdd + 0.3 V
Operating temperature		0°C to +70°C
Storage temperature		-55 °C to +125 °C
Soldering temperature		260 °C for 10 seconds * Soldering temperature information for all available packages begins on page 225.

#### 2.2.2. Recommended Operation Conditions

Parameter		Min.	Typ.	Max.	Units
Power Supply Voltage	Digital - 3.3 V	3.135	3.3	3.465	V
	Analog - 3.3 V	3.135	3.3	3.465	V
(Note: With Supply Override Enable Bit set to force 5 V operation.)	Analog - 4 V	3.8	4	4.2	V
	Analog - 4.5 V	4.275	4.5	4.725	V
	Analog - 5 V	4.75	5	5.25	V
Ambient Operating Temperature		0		+70	°C
Case Temperature	T <sub>case</sub> (48-LQFP)			+90	°C

**ESD:** The STAC9271/9274 is an ESD (electrostatic discharge) sensitive device. The human body and test equipment can accumulate and discharge electrostatic charges up to 4000 Volts without detection. Even though the STAC9271/9274 implements internal ESD protection circuitry, proper ESD precautions should be followed to avoid damaging the functionality or performance.

### 2.3. STAC9271/74 5 V, 4.5 V, 4.0 V and 3.3 V Analog Performance Characteristics

( $T_{\text{ambient}} = 25\text{ }^{\circ}\text{C}$ ,  $AV_{\text{dd}} = \text{Supply} \pm 5\%$ ,  $DV_{\text{dd}} = 3.3\text{ V} \pm 5\%$ ,  $AV_{\text{ss}}=DV_{\text{ss}}=0\text{ V}$ ; 1 kHz input sine wave; Sample Frequency = 48 kHz; 0 dB = 1 VRMS, 10 K $\Omega$ /50 pF load, Testbench Characterization BW: 20 Hz – 20 kHz, 0 dB settings on all gain stages)

Parameter	Conditions	AVdd	Min	Typ	Max	Unit
<b>Digital to Analog Converters</b>						
Resolution		All		24		Bits
SNR - DAC to All Line-Out Ports (Note 4)	Analog Mixer Disabled, PCM data	5 V 4.5 V 4.0 V 3.3 V		105 101 100 98		dB
THD+N - DAC to All Line-Out Ports (Note 3)	Analog Mixer Disabled, -3dB Signal, PCM data	5 V 4.5 V 4.0 V 3.3 V		90 88 86 84		dB
SNR - DAC to All Line-Out Ports (Note 4)	Analog Mixer Enabled, PCM data	5 V 4.5 V 4.0 V 3.3 V		90 88 87 85		dB
THD+N - DAC to All Line-Out Ports (Note 3)	Analog Mixer Enabled, -3dB Signal, PCM data	5 V 4.5 V 4.0 V 3.3 V		80 78 77 75		dB
Dynamic Range: DAC to All Line Out Ports (Note2)	-60dB Signal Level	5 V 4.5 V 4.0 V 3.3 V	-	95 93 92 90	-	dB
SNR - DAC to All Headphone Ports (Note 4)	Analog Mixer Disabled, 10 K $\Omega$ load, PCM data	5 V 4.5 V 4.0 V 3.3 V		105 101 100 98		dB
THD+N - DAC to All Headphone Ports (Note 3)	Analog Mixer Disabled, -3dB Signal, 10 K $\Omega$ load, PCM data	5 V 4.5 V 4.0 V 3.3 V		85 83 82 80		dB
SNR - DAC to All Headphone Ports with 2 Headphone Outputs Operating (Note 4)	Analog Mixer Disabled, 32 $\Omega$ load, PCM data	5 V 4.5 V 4.0 V 3.3 V		100 98 97 95		dB
THD+N - DAC to All Headphone Ports with 2 Headphone Outputs Operating (Note 3)	Analog Mixer Disabled, -3dB Signal, 32 $\Omega$ load, PCM data	5 V 4.5 V 4.0 V 3.3 V		82 80 79 77		dB
SNR - DAC to All Headphone Ports (Note 4)	Analog Mixer Disabled, 32 $\Omega$ load, PCM data	5 V 4.5 V 4.0 V 3.3 V		100 98 97 95		dB

Parameter	Conditions	AVdd	Min	Typ	Max	Unit
THD+N - DAC to All Headphone Ports (Note 3)	Analog Mixer Disabled, -3dB Signal, 32 $\Omega$ load, PCM data	5 V 4.5 V 4.0 V 3.3 V		85 83 82 80		dB
SNR - DAC to All Headphone Ports (Note 4)	Analog Mixer Enabled, 10 k $\Omega$ load, PCM data	5 V 4.5 V 4.0 V 3.3 V		90 88 87 85		dB
THD+N - DAC to All Headphone Ports (Note 3)	Analog Mixer Enabled, -3dB Signal, 10 k $\Omega$ load, PCM data	5 V 4.5 V 4.0 V 3.3 V		79 77 76 74		dB
SNR - DAC to All Headphone Ports (Note 4)	Analog Mixer Enabled, 32 $\Omega$ load, PCM data	5 V 4.5 V 4.0 V 3.3 V		87 85 84 82		dB
THD+N - DAC to All Headphone Ports (Note 3)	Analog Mixer Enabled, -3dB Signal, 32 $\Omega$ load, PCM data	5 V 4.5 V 4.0 V 3.3 V		74 72 71 69		dB
Any Analog Input to DAC Crosstalk	10 KHz Signal Frequency	All	-	-85	-	dB
Any Analog Input to DAC Crosstalk	1 KHz Signal Frequency	All	-	-80	-	dB
Gain Error	Analog Mixer Disabled	All			0.5	dB
Interchannel Gain Mismatch	Analog Mixer Disabled	All			0.5	dB
D/A Digital Filter Pass Band (Note 5)		All	20	-	19,200	Hz
D/A Digital Filter Transition Band		All	19,200	-	28,800	Hz
D/A Digital Filter Stop Band		All	28,800	-	-	Hz
D/A Digital Filter Stop Band Rejcn (Note 6)		All	-100	-	-	dB
D/A Out-of-Band Rejection (Note 7)		All	-55	-	-	dB
Group Delay (48 KHz sample rate)		All	-	-	1	ms
Attenuation, Gain Step Size DIGITAL		All	-	0.75	-	dB
Gain Drift		All	-	100	-	ppm/ $^{\circ}$ C
DAC Offset Voltage		All	-	100	20	mV
Deviation from Linear Phase		All	-	1	10	deg.
<b>Analog Outputs</b>						
Full Scale All Line-Outs	DAC PCM Data	5 V 4.5 V 4.0 V 3.3 V	1.00 1.00 1.00 0.70	-	-	Vrms
Full Scale All Line-Outs	DAC PCM Data	All	2.83	-	-	Vp-p
All Headphone Capable Outputs	32 $\Omega$ load	All	31	50	-	mW peak
<b>Analog inputs</b>						

Parameter	Conditions	AVdd	Min	Typ	Max	Unit
Full Scale Input Voltage	0dB Boost @ 4.75 V	All	1.00	-	-	Vrms
All Analog Inputs with boost	10dB Boost	All	0.31	-	-	Vrms
All Analog Inputs with boost	20dB Boost	All	0.10	-	-	Vrms
All Analog Inputs with boost	30dB Boost	All	0.03	-	-	Vrms
All Analog Inputs with boost	40dB Boost	All	0.01	-	-	Vrms
Input Impedance		All	-	50	-	k $\Omega$
Input Capacitance		All	-	15	-	pF
<b>Analog Mixer</b>						
SNR - CD to Ports A,B, & D Line-Out (Note 4)		All		90		dB
THD+N - CD to Ports A,B, & D Line-Out (Note 3)	-3dB Input	All		70		dB
SNR - All Line-In to A,B, & D Line-Out (Note 4)		All		90		dB
THD+N - All Line-In to A,B, & D Line-Out (Note 3)	-3dB Input	All		70		dB
SNR - Analog PC Beep to Ports A,B, & D Line-Out (Note 4)		All		85		dB
THD+N - Analog PC Beep to Ports A,B, & D Line-Out (Note 3)	-3dB Input	All		70		dB
<b>Analog to Digital Converter</b>						
Resolution		All		24		Bits
Dynamic Range, All Analog Inputs to A/D (Note 1)	High Pass Filter Enabled, 1Vrms Input, No boost	All	88	90		dB
SNR All Analog Inputs to A/D (Note 4)	High Pass Filter enabled	All	88	90		dB
THD+N All Analog Inputs to A/D (Note 3)	High Pass Filter enabled, -3dBV input Level	All		85		dB
Analog Frequency Response (Note 2)		All	10	-	30,000	Hz
A/D Digital Filter Pass Band (Note 5)		All	20	-	19,200	Hz
A/D Digital Filter Transition Band		All	19,200	-	28,800	Hz
A/D Digital Filter Stop Band		All	28,800	-	-	Hz
A/D Digital Filter Stop Band Rejection (Note 6)		All	-100	-	-	dB
Group Delay (48 KHz sample rate)		All	-	-	1	ms
Any Analog Input to ADC Crosstalk	10 KHz Signal Frequency	All	-	-85	-	dB
Any Analog Input to ADC Crosstalk	1 KHz Signal Frequency	All	-	-80	-	dB
Spurious Tone Rejection		All	-	-100	-	dB
Attenuation, Gain Step Size ANALOG		All	-	1.5	-	dB
Interchannel Gain Mismatch ADC		All	-	-	0.5	dB
Noise Floor when 40dB Mic Boost Enabled		All			0.01	mV
40dB Mic Boost Enabled SNR	5 mV Input	All		60		dB



Parameter	Conditions	AVdd	Min	Typ	Max	Unit
40dB Mic Boost Enabled THD+N	5 mV Input	All		55		dB
<b>Power Supply</b>						
Power Supply Rejection Ratio	1 KHz	All	-	-70	-	dB
Power Supply Rejection Ratio	20 KHz	All	-	-40	-	dB
D0 Didd	3.3 V			75	90	mA
D0 Aidd	5.0 V, 4.5 V, & 4.0 V, 3.3 V			85		mA
D1 Didd	3.3 V			75	90	mA
D1 Aidd	5.0 V, 4.5 V, & 4.0 V, 3.3 V			85		mA
D2 Didd	3.3 V			23	30	mA
D2 Aidd	5.0 V, 4.5 V, & 4.0 V, 3.3 V			58		mA
D3 Didd	3.3 V			23	30	mA
D3 Aidd	5.0 V, 4.5 V, & 4.0 V, 3.3 V			37		mA
One Stereo ADC Didd	3.3 V			8	10	mA
One Stereo ADC Aidd	5.0 V, 4.5 V, & 4.0 V, 3.3 V			10		mA
One Stereo DAC Didd	3.3 V			3	5	mA
One Stereo DAC Aidd	5.0 V, 4.5 V, & 4.0 V, 3.3 V			2		mA
<b>CD Input</b>						
CD Common Mode Rejection (CMR)		All	50	55		dB
<b>Voltage Reference Outputs</b>						
VREFout (Note 8)		All	-	0.5 X AVdd	-	V
VREFILT (VAG)		All		0.45X AVdd		V
<b>Phased Locked Loop</b>						
PLL lock time		All		96	200	μsec
PLL (or Azalia Bit CLK) 24 MHz clock jitter		All		150	500	psec

1. Ratio of Full Scale signal to noise output with -60dB signal, measured "A weighted" over a 20 Hz to a 20 KHz bandwidth.
2. ± 3dB limits for Line Output and 0dB gain, at -20dBV
3. Amplitude of THD+N, measured with A-weighting filter, over 20 Hz to 20 KHz bandwidth.
4. Ratio of Full Scale signal to idle channel noise output is measured "A weighted" over a 20 Hz to a 20 KHz bandwidth. (AES17-1991 Idle Channel Noise or EIAJ CP-307 Signal-to-noise Ratio.)
5. Peak-to-Peak Ripple over Passband meets ± 0.25dB limits, 48 KHz Sample Frequency.
6. Stop Band rejection determines filter requirements. Out-of-Band rejection determines audible noise.
7. The integrated Out-of-Band noise generated by the DAC process, during normal PCM audio playback, over a bandwidth 28.8 KHz to 100 KHz, with respect to a 1 Vrms DAC output.
8. Can be set to 0.5 or 0.8 AVdd.

### 3. DETAILED DESCRIPTION

#### 3.1. Universal Jacks™

IDT's Universal Jacks™ technology allows for the greatest flexibility in board design and implementation.

- Ports A, B, and D support<sup>2</sup>:
  - Headphone Out
  - Line Out
  - Line In
  - Mic with 0/10/20/30/40 dB Mic boost<sup>3</sup>
- Ports C, E, F, G, H support<sup>2</sup>:
  - Line Out
  - Line In
  - Mic with 0/10/20/30/40 dB Mic boost<sup>3</sup>
    - Ports G & H do not have VrefOut Support

*Note<sup>1</sup>: Only one function can be selected on each pin pair at a time. For example, a pin pair cannot be configured as an input and output at the same time. Configuration can be changed at any time.*

*Note<sup>2</sup>: Three Headphones should not be used simultaneously. Performance degradation will occur when using 2 Headphones simultaneously. See electrical specs for details.*

*Note<sup>3</sup>: When the 40dB mic boost feature is enabled, additional gain increases greater than 6dB may result in significant audio quality degradation of the microphone audio input. In particular, when the 40dB MIC boost is active, the SNR, THD+N and DC offset will significantly degrade regardless of the input signal level.*

##### 3.1.1. Audio Jack Presence Detect

SENSE\_A pin is used to detect the presence of plugs in ports A, B, C, and D. SENSE\_B pin is used to detect the presence of plugs in ports E, F, G, and H. Refer to the reference design for port detect circuitry. Select the precision of the resistors used as follows:

AVDD Nominal Voltage (+5%)	Resistor Tolerance Sense A (If Port D is used)	Resistor Tolerance Sense A (If Port D is not used)	Resistor Tolerance Sense B (If Port H is used)	Resistor Tolerance Sense B (If Port H is not used)
5V	1%	1%	1%	1%
4.5V	1%	1%	1%	1%
4V	0.50%	1%	0.50%	1%
3.3V	0.10%	1%	0.10%	1%

**Table 1. Impedance Sense**

Impedance Sense is accomplished by on-chip circuitry that measures the impedance at the pin of the chip and compares it to internal reference impedance. Below is a table that contains the bin information and codes returned when the pin widget impedance field in the Port Pin Sense widget is read. Please note that even under the best conditions, there is no method to guarantee 100% impedance sensing due to variations in external circuitry and impedance overlap of devices that can be plugged into a jack. The impedance sense table reflects both standard Line Out and Headphone

output drivers. Please reference the HD Audio Universal Jack Application Note on the IDT Extranet for more information.

**Table 2: Impedance Sense**

Bins	Return Hex Code	Impedance Level (Ohms)	General Device Detected
000b	0064h	Impedance < 300	Passive Speakers, Headset Speakers
001b	012Ch	Impedance = 300 +/- 25%	Some Headset Speakers
010b	028Ah	300 > Impedance < 1275	Some Microphones
011b	03E8h	Impedance = 1275 +/- 25%	Microphones
100b	07D0h	1275 > Impedance < 2000	Microphones
101b	0BB8h	Impedance = 2000 +/- 25%	Amplified Speakers
110b	2710h	> 2000	Amplified Speakers, Line In
111b	2710h	> 2000	Amplified Speakers, Line In

### 3.2. SPDIF Input

SPDIF IN can operate at 44.1 KHz, 48 KHz or 96 KHz and implements internal Jack Detect.

A sophisticated digital PLL allows automatic rate detection and accurate data recovery. The ability to accept consumer SPDIF voltage levels directly eliminates the need for costly external receiver ICs. Advanced features such as record slot select and SPDIF\_IN routing to the DAC allows for simultaneous record and play.

### 3.3. SPDIF Output

SPDIF Output can operate at 44.1 KHz, 48 KHz, 88.2 KHz and 96 KHz, as defined in the Intel High Definition Audio Specification, with resolutions up to 24 bits. This insures compatibility with all consumer audio gear and allows for convenient integration into home theater systems and media center PCs.

### 3.4. ADAT<sup>®</sup> Output (STAC9274)

ADAT<sup>®</sup>, or “Lightpipe” is available on the STAC9274. ADAT<sup>®</sup> is a single bit stream optical digital interface for up to 8 channels of uncompressed 24-bit data. Sample rates up to 192 KHz are supported for 2 channels, up to 96 KHz for 4 channels, or up to 48 KHz for 8 channels.



### 3.5. Digital Microphone Support (STAC9274)

The digital microphone interface permits connection of a digital microphone(s) to the STAC9274 via the DMIC0, DMIC1, and DMIC\_CLK 3-pin interface. The DMIC0 and DMIC1 signals are inputs that carry individual channels of digital Mic data to the codec. In the event that a single microphone is used, the data is routed to both ADC channels.

The DMIC\_CLK output is programmable from 1.176 MHz to 4.704 MHz in 1.176 MHz increments and is synchronous to the 24 MHz internal clock. The default frequency is 2.352 MHz.

*Note: Some Digital Microphone implementations support data on either edge, therefore, an external mux may not be required.*

The STAC9274 supports the digital microphone configurations described in Tables 3 and 4, and shown in Figures 1, 2 and 3, below.

Table 3. Valid Digital Microphone Configurations

Digital Mics	Date Sample	ADC Conn.	Notes
0	N/A	N/A	No Digital Microphones
1	Single Edge	0, 1, or 2	Available on either DMIC_0 or DMIC_1 Both ADC Channels produce data, may be in phase or out by 1/2 DMIC_CLK period depending upon external configuration and timing
2	Double Edge on either DMIC_0 or 1  OR  Single Edge on DMIC_0 and 1	0, 1, or 2	Available on either DMIC_0 or DMIC_1, External logic required to support sampling on a single Digital Mic pin channel on rising edge and second Digital Mic right channel on falling edge of DMIC_CLK for those digital microphones that don't support alternative clock edge capability. If both DMIC_0 and DMIC_1 are used to support 2 digital microphones, 2 separate ADC units will be used, however, this configuration is not recommended since it consumes two stereo ADC resources.
3	Double Edge on one DMIC pin and Single Edge on the second DMIC pin.	0, 1, or 2	Requires both DMIC_0 or DMIC_1, External logic required to support sampling on a single Digital Mic pin channel on rising edge and second Digital Mic right channel on falling edge of DMIC_CLK for those digital microphones that don't support alternative clock edge capability. Two ADC units are required to support this configuration
4	Double Edge	0, 1, or 2	Connected to DMIC_0 and DMIC_1, External logic required to support sampling on a single Digital Mic pin channel on rising edge and second Digital Mic right channel on falling edge of DMIC_CLK for those digital microphones that don't support alternative clock edge capability. Two ADC units are required to support this configuration

Table 4. DMIC\_CLK and DMIC\_0,1 Operation During Power States

Power State	DMIC Widget Enabled?	DMIC_CLK Output	DMIC_0,1	Notes
D0	Yes	Clock Capable	Input Capable	DMIC_CLK Output is Enabled when either DMIC_0 or DMIC_1 Input Widget is Enabled. Otherwise, the DMIC_CLK remains Low
D1	Yes	Clock Capable	Input Capable	DMIC_CLK Output is Enabled when either DMIC_0 or DMIC_1 Input Widget is Enabled. Otherwise, the DMIC_CLK remains Low
D2	Yes	Clock Disabled	Input Disabled	DMIC_CLK Remains Low
D3	Yes	Clock Disabled	Input Disabled	DMIC_CLK Remains Low
D0-D3	No	Clock Disabled	Input Disabled	DMIC_CLK is HIGH-Z with Weak Pull-down

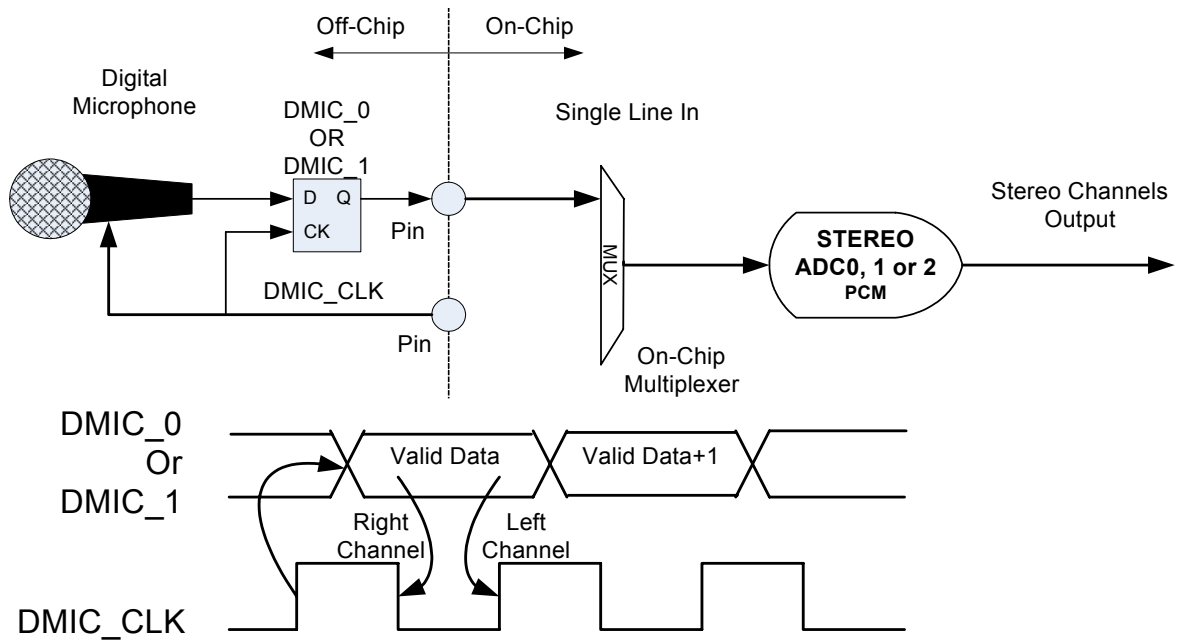


Figure 1. Single Digital Microphone (data is ported to both left and right channels)

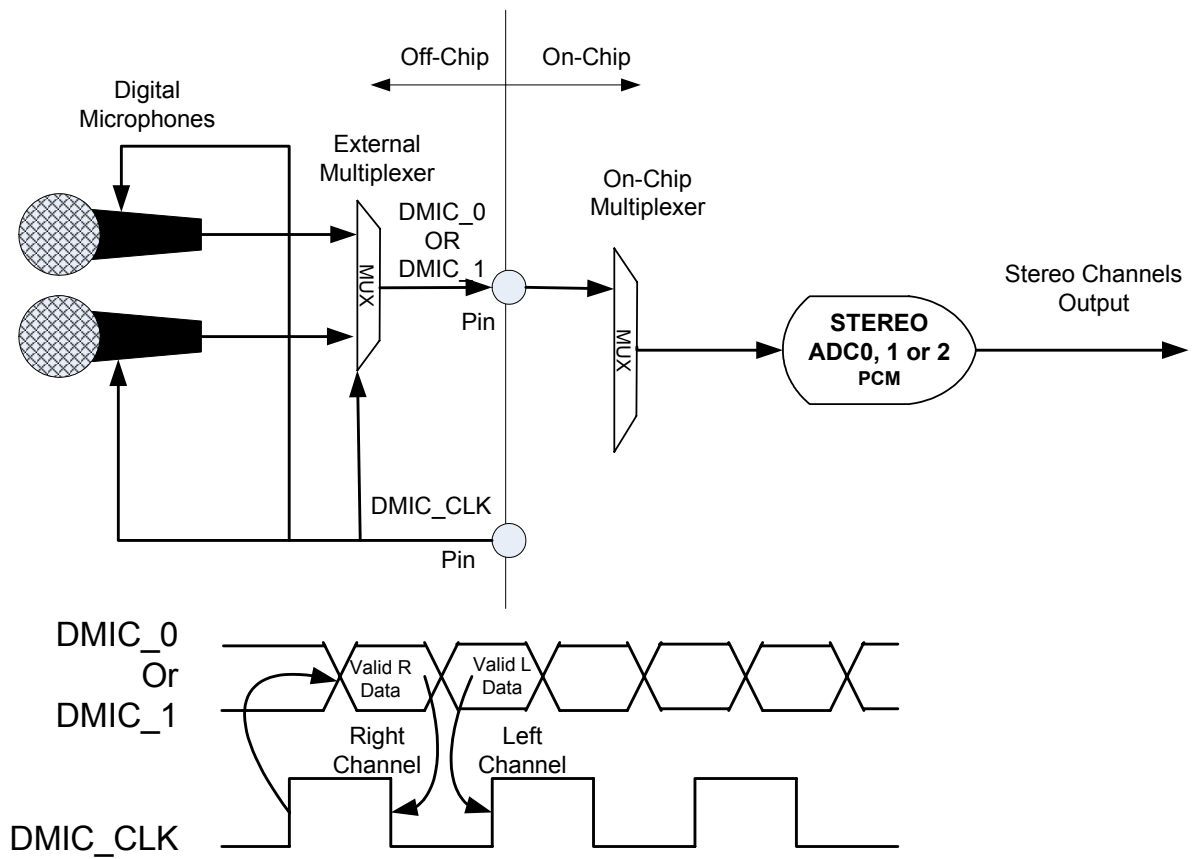


Figure 2. Stereo Digital Microphone Configuration

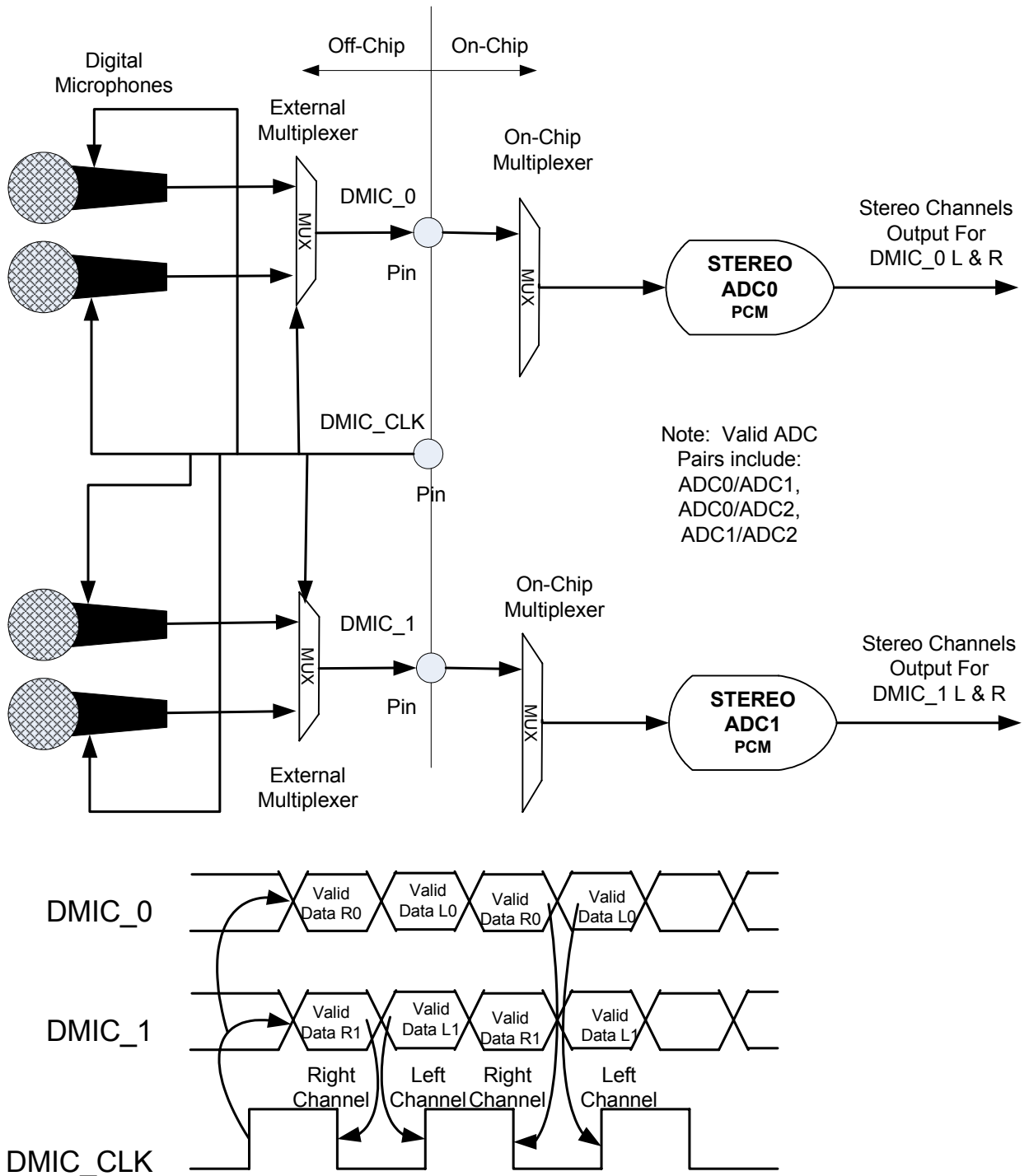


Figure 3. Quad Digital Microphone Configuration

Note: Some Digital Microphone Implementations support data on either edge, therefore, the external mux may not be required.

### 3.6. Analog PC-Beep

Analog PC-Beep is not supported during Link Reset.

### 3.7. Headphone Drivers (Restrictions)

Three headphones should not be used simultaneously. Performance degradation will occur when using two headphones simultaneously. See electrical specifications for details.

### 3.8. Device IDs

Table 5. CODEC IDs

Part Number	DAC SNR dB	VID	DID	Rev ID	Step ID	SSID*	Assm ID*	Dolby	Mic	ADAT	Vol or DMIC
9274	105	8384h	7620h	01h	01h	000001h	00h	No	Yes	Yes	Selectable
9274D	105	8384h	7621h	01h	01h	000001h	00h	MS	Yes	Yes	Selectable
9271X	105	8384h	7626h	01h	01h	000001h	00h	No	No	Yes	Selectable
9271D	105	8384h	7627h	01h	01h	000001h	00h	HT/SR	No	Yes	Selectable

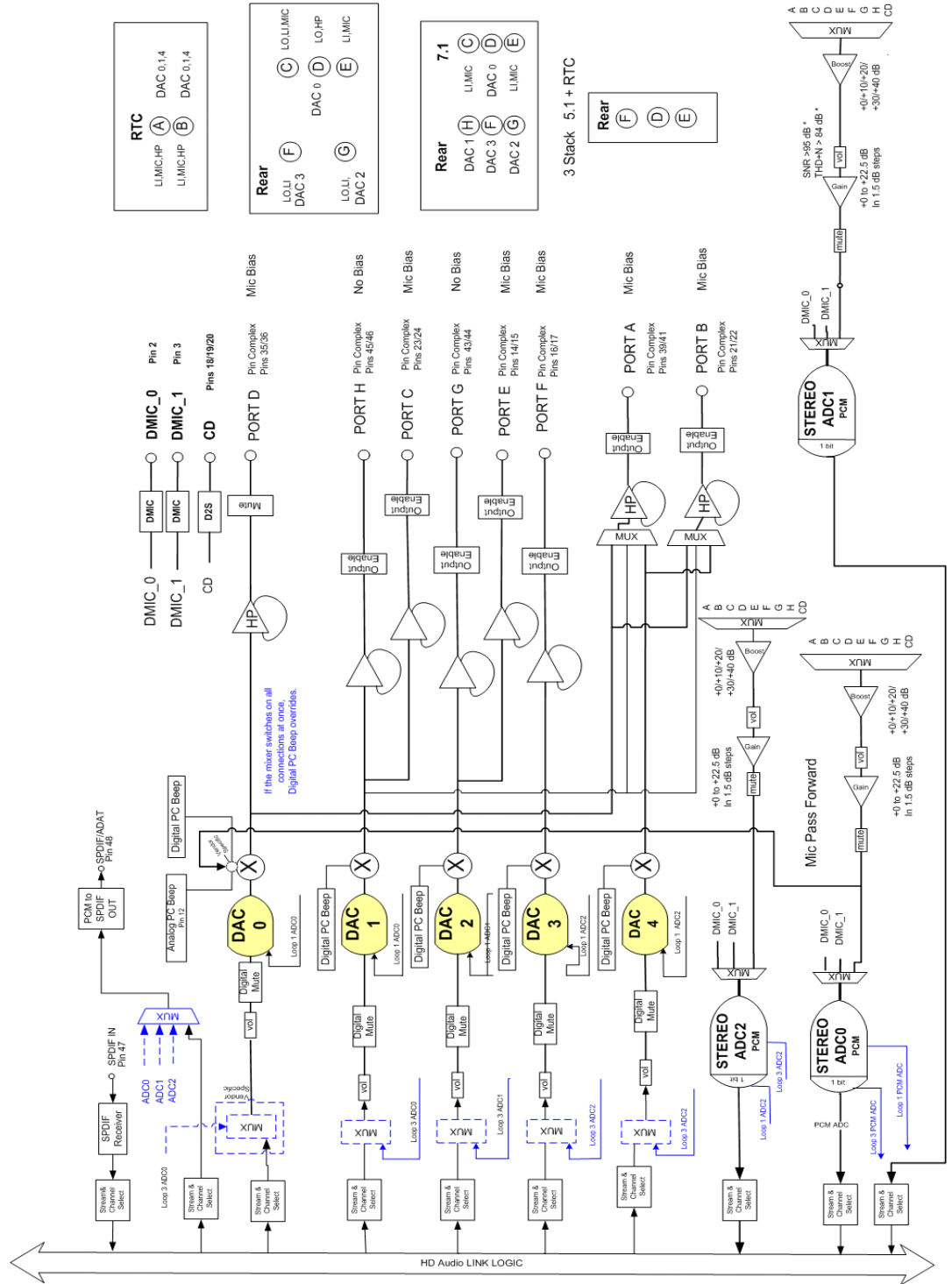
*Note: SVID's, SSID's and Assembly ID's are read/writable by BIOS. All other ID fields are read-only.*

*Note: MS refers to Master Studio and HT/SR refers to Home Theater/Sound Room*

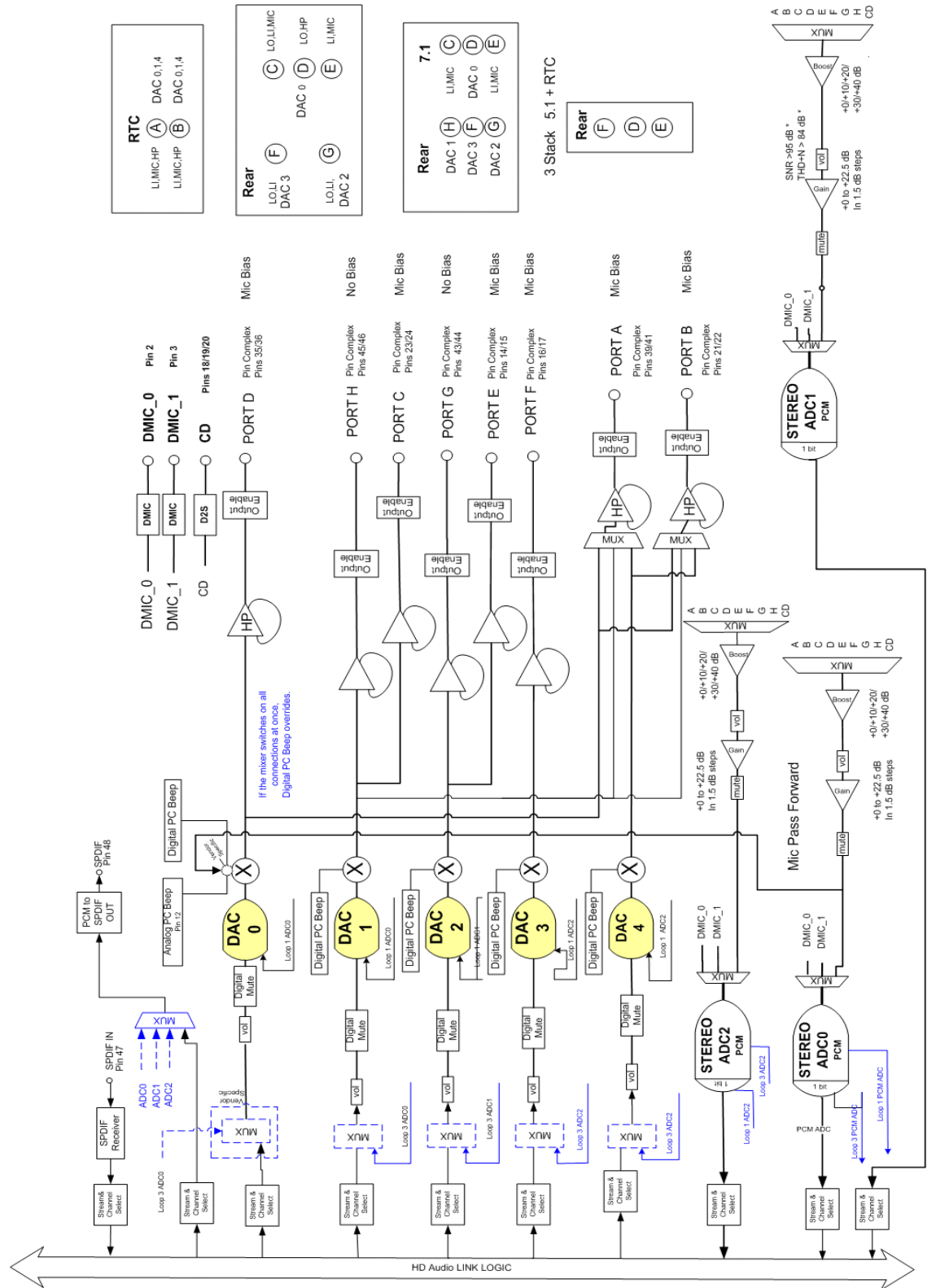


### 4. FUNCTIONAL BLOCK DIAGRAMS

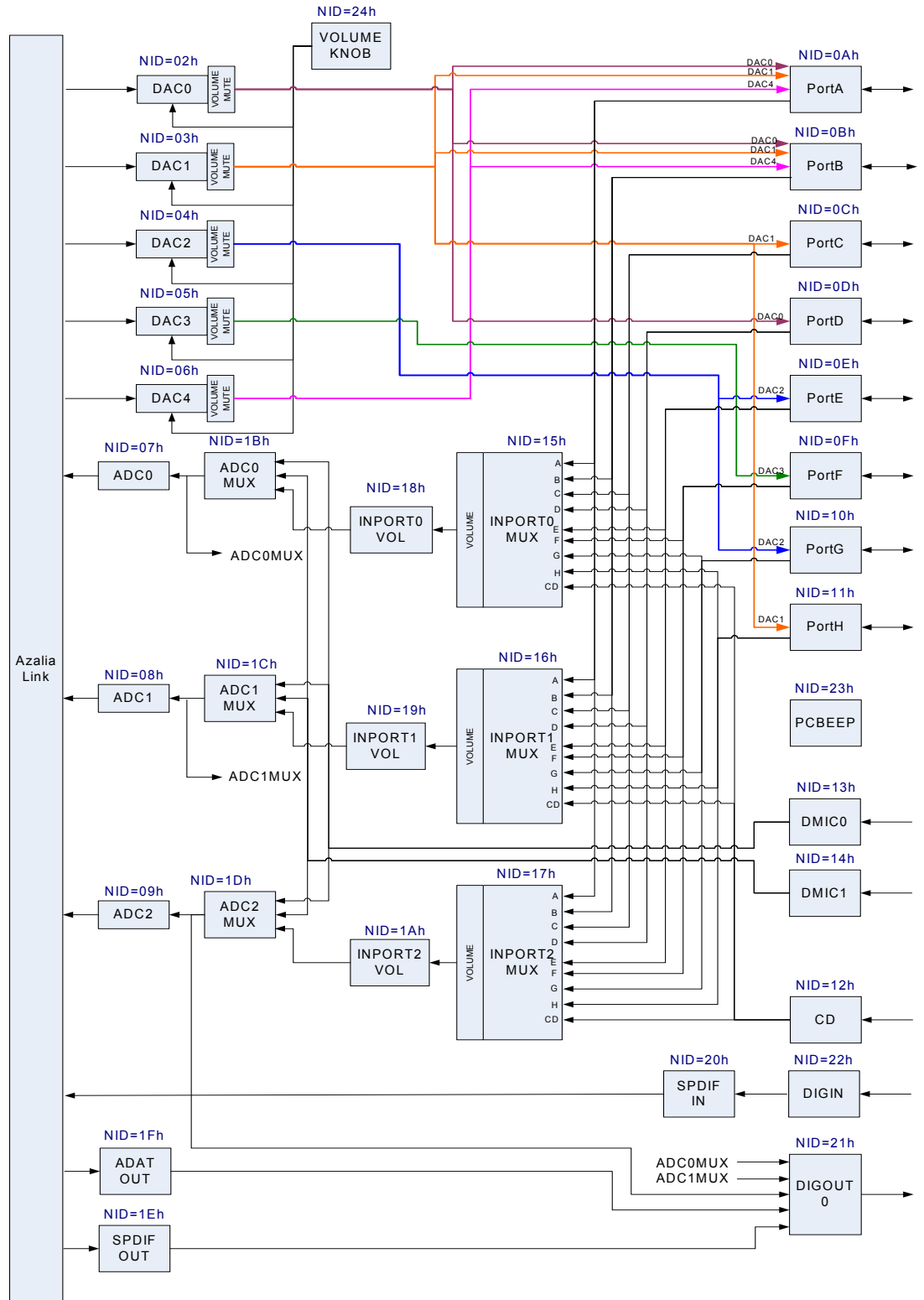
#### 4.1. STAC9274



4.2. STAC9271



5. WIDGET DIAGRAM



## 5.1. Pin Configuration Default Register Settings

The following table shows the Pin Widget Configuration Default settings.

**Table 6. Pin Configuration Default Settings**

Pin Name	Port	Location	Device	Connection	Color	Misc	Assoc.	Seq
DigInPin	Not Connected <b>01b</b>	Mainboard Rear <b>1h</b>	SPDIF In <b>Ch</b>	RCA <b>4h</b>	Gray <b>2h</b>	Jack Detect Override =1	9h	0h
DigOutPin	Connect to Jack <b>00b</b>	Mainboard Rear <b>1h</b>	SPDIF Out <b>4h</b>	RCA <b>4h</b>	Gray <b>2h</b>	Jack Detect Override=0	7h	0h
PortAPin	Connect to Jack <b>00b</b>	Mainboard Front <b>2h</b>	HP Out <b>2h</b>	1/8 inch Jack <b>1h</b>	Green <b>4h</b>	Jack Detect Override=0	2h	0h
PortBPin	Connect to Jack <b>00b</b>	Mainboard Front <b>2ht</b>	Mic In <b>Ah</b>	1/8 inch Jack <b>1h</b>	Pink <b>9h</b>	Jack Detect Override=0	8h	0h
PortCPin	Connect to Jack <b>00b</b>	Mainboard Rear <b>1h</b>	Line In <b>8h</b>	1/8 inch Jack <b>1h</b>	Blue <b>3h</b>	Jack Detect Override=0	4h	Eh
PortDPin	Connect to Jack <b>00b</b>	Mainboard Rear <b>1h</b>	Line Out <b>0h</b>	1/8 inch Jack <b>1h</b>	Green <b>4h</b>	Jack Detect Override=0	1h	0h
PortEPin	Connect to Jack <b>00b</b>	Mainboard Rear <b>1h</b>	Mic In <b>Ah</b>	1/8 inch Jack <b>1h</b>	Pink <b>9h</b>	Jack Detect Override=0	4h	0h
PortFPin	Connect to Jack <b>00b</b>	Mainboard Rear <b>1h</b>	Line Out <b>0h</b>	1/8 inch Jack <b>1h</b>	Black <b>1h</b>	Jack Detect Override=0	1h	2h
PortGPin	Connect to Jack <b>00b</b>	Mainboard Rear <b>1h</b>	Line Out <b>0h</b>	1/8 inch Jack <b>1h</b>	Orange <b>6h</b>	Jack Detect Override=0	1h	1h
PortHPin	Connect to Jack <b>00b</b>	Mainboard Rear <b>1h</b>	Line Out <b>0h</b>	1/8 inch Jack <b>1h</b>	Gray <b>2h</b>	Jack Detect Override=0	1h	Fh
CDPin	Not Connected <b>01b</b>	Internal <b>01000b</b>	CD <b>3h</b>	ATAPI Internal <b>3h</b>	Unknown <b>0h</b>	Jack Detect Override=1	Fh	0h
DigMicPin	Not Connected <b>01b</b>	Internal <b>01000b</b>	Mic In <b>Ah</b>	Unknown <b>0h</b>	Unknown <b>0h</b>	Jack Detect Override=1	Fh	0h
DigMicPin	Not Connected <b>01b</b>	Internal <b>01000b</b>	Mic In <b>Ah</b>	Unknown <b>0h</b>	Unknown <b>0h</b>	Jack Detect Override=1	Fh	0h

## 6. WIDGET INFORMATION

Table 7. High Definition Audio Widget

ID	Widget Name	Description
00h	Root	Root Node
01h	Audio Function Group	Audio Function Group
02h	DAC0	Stereo Output Converter to DAC
03h	DAC1	Stereo Output Converter to DAC
04h	DAC2	Stereo Output Converter to DAC
05h	DAC3	Stereo Output Converter to DAC
06h	DAC4	Stereo Output Converter to DAC
07h	ADC0	Stereo Input Converter to ADC
08h	ADC1	Stereo Input Converter to ADC
09h	ADC2	Stereo Input Converter to ADC
0Ah	Port A	Port A Pin Widget (Configurable as HP, Line In, Line Out, Mic)
0Bh	Port B	Port B Pin Widget (Configurable as HP, Line In, Line Out, Mic)
0Ch	Port C	Port C Pin Widget (Configurable as Line In, Line Out, Mic)
0Dh	Port D	Port D Pin Widget (Configurable as HP, Line In, Line Out, Mic)
0Eh	Port E	Port E Pin Widget (Configurable as Line In, Line Out, Mic)
0Fh	Port F	Port F Pin Widget (Configurable as Line In, Line Out, Mic)
10h	Port G	Port G Pin Widget (Configurable as Line In, Line Out, Mic)
11h	Port H	Port H Pin Widget (Configurable as Line In, Line Out, Mic)
12h	CD	CD Pin Widget
13h	DigMic0	Digital Microphone 0 Pin Widget
14h	DigMic1	Digital Microphone 1 Pin Widget
15h	InPort0Mux	ADC0 Input Port Mux
16h	InPort1Mux	ADC1 Input Port Mux
17h	InPort2Mux	ADC2 Input Port Mux
18h	InPort0Vol	ADC0 Input Port Volume
19h	InPort1Vol	ADC1 Input Port Volume
1Ah	InPort2Vol	ADC2 Input Port Volume
1Bh	ADC0Mux	ADC0 Mux
1Ch	ADC1Mux	ADC1 Mux
1Dh	ADC2Mux	ADC2 Mux
1Eh	SPDIF_OUT	Stereo Output for SPDIF_Out
1Fh	ADATOut	ADAT Out for STAC9274, RSVD on STAC9271

Table 7. High Definition Audio Widget

ID	Widget Name	Description
20h	SPDIF_IN	Stereo Input for SPDIF_In
21h	DigOut	Digital Output Pin
22h	DigIn	Digital Microphone Input Pin
23h	PCBEEP	Digital PC Beep
24h	VolumeKnob	Master Volume Controls

## 6.1. Root Node (NID = 0x00)

### 6.1.1. Root ID

Table 8. Root ID Command Verb Format

	Verb ID	Payload	Response
Get	F00	00	See bitfield table.

Table 9. Root ID Command Response Format

Bit	Bitfield Name	RW	Reset	Description
[31.:16]	Vendor	R	0x8384	Vendor ID.
[15.:8]	DeviceFix	R	0x76	Fixed portion of Device ID.
[7.:0]	DeviceProg	R	0x10	Dependent of device- See device ID table in section 5.8.

### 6.1.2. Root RevID

Table 10. Root RevID Command Verb Format

	Verb ID	Payload	Response
Get	F00	02	See bitfield table.

Table 11. Root RevID Command Response Format

Bit	Bitfield Name	RW	Reset	Description
[31.:24]	Rsvd	R	0x00	Reserved
[23.:20]	Major	R	0x1	Major rev number of compliant Azalia spec.
[19.:16]	Minor	R	0x0	Minor rev number of compliant Azalia spec.
[15.:12]	VendorFix	R	0x0	Fixed portion of Vendor's rev number for this device.
[11.:8]	VendorProg	R	0x1	Vendor's rev number for this device.
[7.:4]	SteppingFix	R	0x0	Fixed portion of vendor stepping number within the Vendor RevID.
[3.:0]	SteppingProg	R	0x1	vendor stepping number within the Vendor RevID.

### 6.1.3. Root NodeInfo

Table 12. Root NodeInfo Command Verb Format

	Verb ID	Payload	Response
Get	F00	04	See bitfield table.

Table 13. Root NodeInfo Command Response Format

Bit	Bitfield Name	RW	Reset	Description
[31.:24]	Rsvd2	R	0x00	Reserved
[23.:16]	StartNID	R	0x01	Starting node number (NID) of first function group
[15.:8]	Rsvd1	R	0x00	Reserved
[7.:0]	TotalNodes	R	0x01	Total number of nodes

## 6.2. AFG Node (NID = 0x01)

### 6.2.1. AFG Reset

Table 14. AFG Reset Command Verb Format

	Verb ID	Payload	Response
Get	7FF	00	See bitfield table.
Set1	7FF	See bits [7:0] of bitfield table.	0000_0000h

Table 15. AFG Reset Command Response Format

Bit	Bitfield Name	RW	Reset	Description
[31.:0]	Response	R	0x0	Reserved. Overlaps Execute.
[0]	Execute	W	0x0	Function Reset. Function Group reset is executed when the Set verb 7FF is written with 8-bit payload of 00h. The CODEC should issue a response to acknowledge receipt of the verb, and then reset the affected Function Group and all associated widgets to their power-on reset values. Some controls such as Configuration Default controls should not be reset. Overlaps Response.



### 6.2.2. AFG NodeInfo

Table 16. AFG NodeInfo Command Verb Format

	Verb ID	Payload	Response
Get	F00	04	See bitfield table.

Table 17. AFG NodeInfo Command Response Format

Bit	Bitfield Name	RW	Reset	Description
[31.:24]	Rsvd2	R	0x0	Reserved
[23.:16]	StartNID	R	0x2	Starting node number for function group subordinate nodes.
[15.:8]	Rsvd1	R	0x0	Reserved
[7.:0]	TotalNodes	R	0x23	Total number of nodes.

### 6.2.3. AFG Type

Table 18. AFG Type Command Verb Format

	Verb ID	Payload	Response
Get	F00	05	See bitfield table.

Table 19. AFG Type Command Response Format

Bit	Bitfield Name	RW	Reset	Description
[31.:9]	Rsvd	R	0x0	Reserved
[8]	UnSol	R	0x1	This node is capable of generating an unsolicited response, and will respond to the Unsolicited Response verb (Verb ID 708h).
[7.:0]	NodeType	R	0x01	Node type = Audio Function Group

### 6.2.4. AFG Type

Table 20. AFG Cap Command Verb Format

	Verb ID	Payload	Response
Get	F00	08	See bitfield table.

Table 21. AFG Cap Command Response Format

Bit	Bitfield Name	RW	Reset	Description
[31..17]	Rsvd3	R	0x0	Reserved
[16]	BeepGen	R	0x1	Optional Beep Generator is present
[15..12]	Rsvd2	R	0x0	Reserved
[11..8]	InputDelay	R	0xD	Typical latency = 13 frames. Number of samples between when the sample is received as an analog signal at the pin and when the digital representation is transmitted on the Azalia link.
[7..4]	Rsvd1	R	0x0	Reserved
[3..0]	OutputDelay	R	0xD	Typical latency = 13 frames. Number of samples between when the signal is received from the Azalia link and when it appears as an analog signal at the pin.

### 6.2.5. AFG PCMCap

Table 22. AFG PCMCap Command Verb Format

	Verb ID	Payload	Response
Get	F00	0A	See bitfield table.

Table 23. AFG PCMCap Command Response Format

Bit	Bitfield Name	RW	Reset	Description
[31..21]	Rsvd2	R	0x0	Reserved
[20]	B32	R	0x0	32 bit audio formats are NOT supported
[19]	B24	R	0x1	24 bit audio formats are supported
[18]	B20	R	0x1	20 bit audio formats are supported
[17]	B16	R	0x1	16 bit audio formats are supported
[16]	B8	R	0x0	8 bit audio formats are NOT supported
[15..12]	Rsvd1	R	0x0	Reserved

Table 23. AFG PCMCap Command Response Format

Bit	Bitfield Name	RW	Reset	Description
[11]	R12	R	0x0	384 KHz rate (8/1*48 KHz) NOT supported
[10]	R11	R	0x1	192.0 KHz rate (4/1*48 KHz) supported
[9]	R10	R	0x1	176.4 KHz rate (4/1*44.1 KHz) supported
[8]	R9	R	0x1	96.0 KHz rate (2/1*48 KHz) supported
[7]	R8	R	0x1	88.2 KHz rate (2/1*44.1 KHz) supported
[6]	R7	R	0x1	48.0 KHz rate supported (REQUIRED)
[5]	R6	R	0x1	44.1 KHz rate supported
[4]	R5	R	0x0	32.0 KHz rate (2/3*48 KHz) supported
[3]	R4	R	0x0	22.05 KHz rate (1/2*44.1 KHz) supported
[2]	R3	R	0x0	16.0 KHz rate (1/3*48 KHz) supported
[1]	R2	R	0x0	11.025 KHz rate (1/4*44.0 KHz) supported
[0]	R1	R	0x0	8.0 KHz rate (1/6*48 KHz) supported

### 6.2.6. AFG Stream

Table 24. AFG Stream Command Verb Format

	Verb ID	Payload	Response
Get	F00	0B	See bitfield table.

Table 25. AFG Stream Command Response Format

Bit	Bitfield Name	RW	Reset	Description
[31.:3]	Rsvd	R	0x0	Reserved
[2]	NonPCM	R	0x0	No support for non-PCM data.
[1]	Float32	R	0x0	No support for Float32 data.
[0]	PCM	R	0x1	PCM-formatted data supported.

### 6.2.7. AFG InAmpCap

Table 26. AFG InAmpCap Command Verb Format

	Verb ID	Payload	Response
Get	F00	0D	See bitfield table.

Table 27. AFG InAmpCap Command Response Format

Bit	Bitfield Name	RW	Reset	Description
[31]	Mute	R	0x0	No mute capability
[30.:23]	Rsvd3	R	0x0	Reserved
[22.:16]	StepSize	R	0x5	Size of each step in the gain range = 1.5dB
[15]	Rsvd2	R	0x0	Reserved
[14.:8]	NumSteps	R	0x0E	Number of steps in the gain range = 15 (0dB to 22.5 dB)
[7]	Rsvd1	R	0x0	Reserved
[6.:0]	Offset	R	0x00	0dB-step is programmed with this offset

### 6.2.8. AFG SupPwrState

Table 28. AFG SupPwrState Command Verb Format

	Verb ID	Payload	Response
Get	F00	0F	See bitfield table.

Table 29. AFG SupPwrState Command Response Format

Bit	Bitfield Name	RW	Reset	Description
[31.:4]	Rsvd	R	0x0	Reserved
[3]	D3Sup	R	0x1	Power State D3 is supported. Allows for lowest possible power consuming state under software control (and still properly respond to a subsequent Power State command).
[2]	D2Sup	R	0x1	Power State D2 is supported. Allows for lowest possible power consuming state from which it can return to fully on state within 10 ms.

Table 29. AFG SupPwrState Command Response Format

Bit	Bitfield Name	RW	Reset	Description
[1]	D1Sup	R	0x1	Power State D1 is supported. Allows for lowest possible power consuming state from which it can return to fully on state within 10ms, excepting analog pass-through circuits which must remain fully on.
[0]	D0Sup	R	0x1	Power State D0 is supported. Node power state is fully on.

### 6.2.9. AFG GPIOCnt

Table 30. AFG GPIOCnt Command Verb Format

	Verb ID	Payload	Response
Get	F00	11	See bitfield table.

Table 31. AFG GPIOCnt Command Response Format

Bit	Bitfield Name	RW	Reset	Description
[31]	GPiWake	R	0x1	Wake capability. Assuming the Wake Enable Mask controls are enabled, GPIO's configured as inputs can cause a wake (generate a Status Change event on the link) when there is a change in level on the pin.
[30]	GPiUnsol	R	0x1	Unsolicited Response capability. Assuming the Unsolicited Enable Mask controls are enabled, GPIO's configured as inputs can generate an Unsolicited Response on the link when there is a change in level on the pin.
[29.:24]	Rsvd	R	0x0	Reserved
[23.:16]	NumGPIs	R	0x00	Number of GPI pins supported by function
[15.:8]	NumGPOs	R	0x00	Number of GPO pins supported by function
[7.:0]	NumGPIOs	R	0x03 = 48 pin	Number of GPIO pins supported by function

## 6.2.10. AFG OutAmpCap

Table 32. AFG OutAmpCap Command Verb Format

	Verb ID	Payload	Response
Get	F00	12	See bitfield table.

Table 33. AFG OutAmpCap Command Response Format

Bit	Bitfield Name	RW	Reset	Description
[31]	Mute	R	0x1	Amplifier is capable of muting
[30.:23]	Rsvd3	R	0x0	Reserved
[22.:16]	StepSize	R	0x02	Size of each step in the gain range = 0.75dB
[15]	Rsvd2	R	0x0	Reserved
[14.:8]	NumSteps	R	0x7F	Number of steps in the gain range = 128 (-96dB to +0dB)
[7]	Rsvd1	R	0x0	Reserved
[6.:0]	Offset	R	0x7F	0dB-step is programmed with this offset

## 6.2.11. AFG PwrState

Table 34. AFG PwrState Command Verb Format

	Verb ID	Payload	Response
Get	F05	00	See bitfield table.
Set1	705	See bits [7:0] of bitfield table.	0000_0000h

Table 35. AFG PwrState Command Response Format

Bit	Bitfield Name	RW	Reset	Description
[31.:8]	Rsvd2	R	0x0	Reserved
[7.:4]	Act	R	0x2	PS-Act: Actual power state of referenced node.

Table 35. AFG PwrState Command Response Format

Bit	Bitfield Name	RW	Reset	Description
[3..2]	Rsvd1	R	0x0	Reserved
[1..0]	Set	RW	0x2	PS-Set: Current power setting of referenced node. 0: All Powered-On 1: D1 => PR0, PR1 2: D2 => PR0,PR1, PR2,PR6,EAPD 3: D3 => PR6,PR5,PR3,PR2,PR1,PR0,EAPD Note: PR4 is not mapped in Azalia

### 6.2.12. AFG UnsolResp

Table 36. AFG UnsolResp Command Verb Format

	Verb ID	Payload	Response
<b>Get</b>	F08	00	See bitfield table.
<b>Set1</b>	708	See bits [7:0] of bitfield table.	0000_0000h

Table 37. AFG UnsolResp Command Response Format

Bit	Bitfield Name	RW	Reset	Description
[31..8]	Rsvd2	R	0x0	Reserved
[7]	En	RW	0x0	Allow generation of Unsolicited Responses.
[6]	Rsvd1	R	0x0	Reserved
[5..0]	Tag	RW	0x0	Software programmable field returned in top six bits (31:26) of every Unsolicited Response generated by this node.

### 6.2.13. AFG GPIO

Table 38. AFG GPIO Command Verb Format

	Verb ID	Payload	Response
<b>Get</b>	F15	00	See bitfield table.
<b>Set1</b>	715	See bits [7:0] of bitfield table.	0000_0000h

Table 39. AFG GPIO Command Response Format

Bit	Bitfield Name	RW	Reset	Description
[31.:5]	Rsvd	R	0x0	Reserved
[4]	Data4	RW	0x0	Data for GPIO4. If this GPIO bit is configured as Sticky (edge-sensitive) input, it can be cleared by writing zero (one) here when the corresponding Polarity Control bit is zero (one).
[3]	Data3	RW	0x0	Data for GPIO3. If this GPIO bit is configured as Sticky (edge-sensitive) input, it can be cleared by writing zero (one) here when the corresponding Polarity Control bit is zero (one).
[2]	Data2	RW	0x0	Data for GPIO2. If this GPIO bit is configured as Sticky (edge-sensitive) input, it can be cleared by writing zero (one) here when the corresponding Polarity Control bit is zero (one).
[1]	Data1	RW	0x0	Data for GPIO1. If this GPIO bit is configured as Sticky (edge-sensitive) input, it can be cleared by writing zero (one) here when the corresponding Polarity Control bit is zero (one).
[0]	Data0	RW	0x0	Data for GPIO0. If this GPIO bit is configured as Sticky (edge-sensitive) input, it can be cleared by writing zero (one) here when the corresponding Polarity Control bit is zero (one).

#### 6.2.14. AFG GPIOEn

Table 40. AFG GPIOEn Command Verb Format

	Verb ID	Payload	Response
<b>Get</b>	F16	00	See bitfield table.
<b>Set1</b>	716	See bits [7:0] of bitfield table.	0000_0000h



Table 41. AFG GPIOEn Command Response Format

Bit	Bitfield Name	RW	Reset	Description
[31.:5]	Rsvd	R	0x0	Reserved
[4]	Mask4	RW	0x0	Enable for GPIO4: 0= pin is disabled (Hi-Z state); 1= pin is enabled; behavior determined by GPIO Direction control
[3]	Mask3	RW	0x0	Enable for GPIO3: 0= pin is disabled (Hi-Z state); 1= pin is enabled; behavior determined by GPIO Direction control
[2]	Mask2	RW	0x0	Enable for GPIO2: 0= pin is disabled (Hi-Z state); 1= pin is enabled; behavior determined by GPIO Direction control
[1]	Mask1	RW	0x0	Enable for GPIO1: 0= pin is disabled (Hi-Z state); 1= pin is enabled; behavior determined by GPIO Direction control
[0]	Mask0	RW	0x0	Enable for GPIO0: 0= pin is disabled (Hi-Z state); 1= pin is enabled; behavior determined by GPIO Direction control

### 6.2.15. AFG GPIODir

Table 42. AFG GPIODir Command Verb Format

	Verb ID	Payload	Response
<b>Get</b>	F17	00	See bitfield table.
<b>Set1</b>	717	See bits [7:0] of bitfield table.	0000_0000h

Table 43. AFG GPIODir Command Response Format

Bit	Bitfield Name	RW	Reset	Description
[31.:5]	Rsvd	R	0x0	Reserved
[4]	Control4	RW	0x0	Direction control for GPIO4 0= GPIO signal is configured as input 1= GPIO signal is configured as output

Table 43. AFG GPIODir Command Response Format

Bit	Bitfield Name	RW	Reset	Description
[3]	Control3	RW	0x0	Direction control for GPIO3 0= GPIO signal is configured as input 1= GPIO signal is configured as output
[2]	Control2	RW	0x0	Direction control for GPIO2 0= GPIO signal is configured as input 1= GPIO signal is configured as output
[1]	Control1	RW	0x0	Direction control for GPIO1 0= GPIO signal is configured as input 1= GPIO signal is configured as output
[0]	Control0	RW	0x0	Direction control for GPIO0 0= GPIO signal is configured as input 1= GPIO signal is configured as output

### 6.2.16. AFG GPIOWakeEn

Table 44. AFG GPIOWakeEn Command Verb Format

	Verb ID	Payload	Response
<b>Get</b>	F18	00	See bitfield table.
<b>Set1</b>	718	See bits [7:0] of bitfield table.	0000_0000h

Table 45. AFG GPIOWakeEn Command Response Format

Bit	Bitfield Name	RW	Reset	Description
[31.:5]	Rsvd	R	0x0	Reserved
[4]	W4	RW	0x0	Wake enable for GPIO4: 0 = wake-up event is disabled; 1= when Azalia link is powered down (RST# is asserted), a wake-up event will trigger a Status Change Request event on the link.
[3]	W3	RW	0x0	Wake enable for GPIO3: 0 = wake-up event is disabled; 1= when Azalia link is powered down (RST# is asserted), a wake-up event will trigger a Status Change Request event on the link.

Table 45. AFG GPIOWakeEn Command Response Format

Bit	Bitfield Name	RW	Reset	Description
[2]	W2	RW	0x0	Wake enable for GPIO2: 0 = wake-up event is disabled; 1= when Azalia link is powered down (RST# is asserted), a wake-up event will trigger a Status Change Request event on the link.
[1]	W1	RW	0x0	Wake enable for GPIO1: 0 = wake-up event is disabled; 1= when Azalia link is powered down (RST# is asserted), a wake-up event will trigger a Status Change Request event on the link.
[0]	W0	RW	0x0	Wake enable for GPIO0: 0 = wake-up event is disabled; 1= when Azalia link is powered down (RST# is asserted), a wake-up event will trigger a Status Change Request event on the link.

### 6.2.17. AFG GPIOUnsol

Table 46. AFG GPIOUnsol Command Verb Format

	Verb ID	Payload	Response
<b>Get</b>	F19	00	See bitfield table.
<b>Set1</b>	719	See bits [7:0] of bitfield table.	0000_0000h

Table 47. AFG GPIOUnsol Command Response Format

Bit	Bitfield Name	RW	Reset	Description
[31.:5]	Rsvd	R	0x0	Reserved
[4]	EnMask4	RW	0x0	Unsolicited enable mask for GPIO4. If set, and the Unsolicited Response control for this widget has been enabled, an unsolicited response will be sent when GPIO0 is configured as input and changes state.
[3]	EnMask3	RW	0x0	Unsolicited enable mask for GPIO3. If set, and the Unsolicited Response control for this widget has been enabled, an unsolicited response will be sent when GPIO0 is configured as input and changes state.

Table 47. AFG GPIOUnsol Command Response Format

Bit	Bitfield Name	RW	Reset	Description
[2]	EnMask2	RW	0x0	Unsolicited enable mask for GPIO2. If set, and the Unsolicited Response control for this widget has been enabled, an unsolicited response will be sent when GPIO0 is configured as input and changes state.
[1]	EnMask1	RW	0x0	Unsolicited enable mask for GPIO1. If set, and the Unsolicited Response control for this widget has been enabled, an unsolicited response will be sent when GPIO0 is configured as input and changes state.
[0]	EnMask0	RW	0x0	Unsolicited enable mask for GPIO0. If set, and the Unsolicited Response control for this widget has been enabled, an unsolicited response will be sent when GPIO0 is configured as input and changes state.

### 6.2.18. AFG GPIOSticky

Table 48. AFG GPIOSticky Command Verb Format

	Verb ID	Payload	Response
<b>Get</b>	F1A	00	See bitfield table.
<b>Set1</b>	71A	See bits [7:0] of bitfield table.	0000_0000h

Table 49. AFG GPIOSticky Command Response Format

Bit	Bitfield Name	RW	Reset	Description
[31.:5]	Rsvd	R	0x0	Reserved
[4]	Mask4	RW	0x0	GPIO4 input type (when configured as input): 0= Non-Sticky (level-sensitive); 1= Sticky (edge-sensitive). Sticky inputs are cleared by writing zero to corresponding bit of GPIO Data register. GPIOPolarity determines rising or falling edge sensitivity.

Table 49. AFG GPIOSticky Command Response Format

Bit	Bitfield Name	RW	Reset	Description
[3]	Mask3	RW	0x0	GPIO3 input type (when configured as input): 0= Non-Sticky (level-sensitive); 1= Sticky (edge-sensitive). Sticky inputs are cleared by writing zero to corresponding bit of GPIO Data register. GPIOPolarity determines rising or falling edge sensitivity.
[2]	Mask2	RW	0x0	GPIO2 input type (when configured as input): 0= Non-Sticky (level-sensitive); 1= Sticky (edge-sensitive). Sticky inputs are cleared by writing zero to corresponding bit of GPIO Data register. GPIOPolarity determines rising or falling edge sensitivity.
[1]	Mask1	RW	0x0	GPIO1 input type (when configured as input): 0= Non-Sticky (level-sensitive); 1= Sticky (edge-sensitive). Sticky inputs are cleared by writing zero to corresponding bit of GPIO Data register. GPIOPolarity determines rising or falling edge sensitivity.
[0]	Mask0	RW	0x0	GPIO0 input type (when configured as input): 0= Non-Sticky (level-sensitive); 1= Sticky (edge-sensitive). Sticky inputs are cleared by writing zero to corresponding bit of GPIO Data register. GPIOPolarity determines rising or falling edge sensitivity.

### 6.2.19. AFG SubID

Table 50. AFG SubID Command Verb Format

	Verb ID	Payload	Response
<b>Get</b>	F20	00	See bitfield table.
<b>Set1</b>	720	See bits [7:0] of bitfield table.	0000_0000h
<b>Set2</b>	721	See bits [7:0] of bitfield table.	0000_0000h
<b>Set3</b>	722	See bits [7:0] of bitfield table.	0000_0000h
<b>Set4</b>	723	See bits [7:0] of bitfield table.	0000_0000h

Table 51. AFG SubID Command Response Format

Bit	Bitfield Name	RW	Reset	Description
[31.:24]	Subsys3	RW	0x00	Subsystem ID. (Any non-zero value)
[23.:16]	Subsys2	RW	0x00	
[15.:8]	Subsys1	RW	0x01	
[7.:0]	Assembly	RW	0x00	Assembly ID. (Not applicable to CODEC vendors)

### 6.2.20. AFG TCKT

Table 52. AFG TCKT Command Verb Format

	Verb ID	Payload	Response
<b>Get</b>	FE5	00	See bitfield table.
<b>Set1</b>	7E5	See bits [7:0] of bitfield table.	0000_0000h

Table 53. AFG TCKT Command Response Format

Bit	Bitfield Name	RW	Reset	Description
[31.:8]	Rsvd	R	0x0	Reserved
[7]	AnaD3Enable	RW	0x0	D3 enable signal for analog
[6.:0]	TCKT	RW	0x0	Test circuit (default reset on) TBD [6:0]

### 6.2.21. AFG Sply

Table 54. AFG Sply Command Verb Format

	Verb ID	Payload	Response
<b>Get</b>	FE6	00	See bitfield table.
<b>Set1</b>	7E6	See bits [7:0] of bitfield table.	0000_0000h

Table 55. AFG Sply Command Response Format

Bit	Bitfield Name	RW	Reset	Description
[31.:7]	Rsvd	R	0x0	Reserved
[6.:5]	IBIAS	RW	0x0	00 = Normal Current; 01 = 80% nominal Analog Current; 10 = 120% nominal Analog Current; 11 = 140% nominal Analog Current
[4]	PinLvl	RW	0x1	0= low-level SPDIF Input (special buffer for low level signals) 1= standard SPDIF Input (for high level signals)
[3.:0]	SplyOvr	RW	0x0	Supply Override Control. See Table below. [0] = invert ADC supply; [1] = invert DAC supply; [2] = supply value; [3] = supply override enable

### 6.2.22. AFG DACMode

Table 56. AFG DACMode Command Verb Format

	Verb ID	Payload	Response
<b>Get</b>	FEB	00	See bitfield table.
<b>Set1</b>	7EB	See bits [7:0] of bitfield table.	0000_0000h

Table 57. AFG DACMode Command Response Format

Bit	Bitfield Name	RW	Reset	Description
[31.:7]	Rsvd2	R	0x0	Reserved
[6]	ADCMixDAC	RW	0x0	Enable mixing of ADC with DAC signal (for karaoke)
[5]	FadeFast	RW	0x0	Gain ramps at the maximum rate
[4]	FadeLog	RW	0x0	Gain ramping is dB linear instead of voltage linear over time
[3.:0]	Rsvd	R	0x0	Reserved

## 6.2.23. AFG GPIOIrty

Table 58. AFG GPIOIrty Command Verb Format

	Verb ID	Payload	Response
Get	FEE	00	See bitfield table.
Set1	7EE	See bits [7:0] of bitfield table.	0000_0000h

Table 59. AFG GPIOIrty Command Response Format

Bit	Bitfield Name	RW	Reset	Description
[31.:5]	Rsvd	R	0x0	Reserved
[4]	GP4	RW	0x1	GPIO4 Polarity; If configured as an output: 0= inverting 1= non-inverting If configured as a non-sticky input: 0= inverting 1= non-inverting If configured as a sticky input: 0= falling events will be detected 1= rising events will be detected
[3]	GP3	RW	0x1	GPIO3 Polarity; If configured as an output: 0= inverting 1= non-inverting If configured as a non-sticky input: 0= inverting 1= non-inverting If configured as a sticky input: 0= falling events will be detected 1= rising events will be detected
[2]	GP2	RW	0x1	GPIO2 Polarity If configured as an output: 0= inverting 1= non-inverting If configured as a non-sticky input: 0= inverting 1= non-inverting If configured as a sticky input: 0= falling events will be detected 1= rising events will be detected



Table 59. AFG GPIOIrty Command Response Format

Bit	Bitfield Name	RW	Reset	Description
[1]	GP1	RW	0x1	GPIO1 Polarity; If configured as an output: 0= inverting 1= non-inverting If configured as a non-sticky input: 0= inverting 1= non-inverting If configured as a sticky input: 0= falling events will be detected 1= rising events will be detected
[0]	GP0	RW	0x1	GPIO0 Polarity; If configured as an output: 0= inverting 1= non-inverting If configured as a non-sticky input: 0= inverting 1= non-inverting If configured as a sticky input: 0= falling events will be detected 1= rising events will be detected

#### 6.2.24. AFG GPIODrive

Table 60. AFG GPIODrive Command Verb Format

	Verb ID	Payload	Response
<b>Get</b>	FEF	00	See bitfield table.
<b>Set1</b>	7EF	See bits [7:0] of bitfield table.	0000_0000h

Table 61. AFG GPIODrive Command Response Format

Bit	Bitfield Name	RW	Reset	Description
[31.:5]	Rsvd	R	0x0	Reserved
[4]	OD4	RW	0x0	GPIO4 Drive Mode; 0= push-pull (drive 0 and 1), 1= open drain (drive 0, float for 1).
[3]	OD3	RW	0x0	GPIO3 Drive Mode; 0= push-pull (drive 0 and 1), 1= open drain (drive 0, float for 1).

Table 61. AFG GPIODrive Command Response Format

Bit	Bitfield Name	RW	Reset	Description
[2]	OD2	RW	0x0	GPIO2 Drive Mode; 0= push-pull (drive 0 and 1), 1= open drain (drive 0, float for 1).
[1]	OD1	RW	0x0	GPIO1 Drive Mode; 0= push-pull (drive 0 and 1), 1= open drain (drive 0, float for 1).
[0]	OD0	RW	0x0	GPIO0 Drive Mode; 0= push-pull (drive 0 and 1), 1= open drain (drive 0, float for 1).

### 6.2.25. AFG DMic

Table 62. AFG DMic Command Verb Format

	Verb ID	Payload	Response
<b>Get</b>	FF0	00	See bitfield table.
<b>Set1</b>	7F0	See bits [7:0] of bitfield table.	0000_0000h

Table 63. AFG DMic Command Response Format

Bit	Bitfield Name	RW	Reset	Description
[31.:4]	Rsvd	R	0x0	Reserved
[3.:2]	PhAdj	RW	0x0	Selects what phase of the DigMic clock the data should be latched: 0= rising edge, 1= center of high, 2= falling edge, 3= center of low.
[1.:0]	Rate	RW	0x2	Selects the DigMic rate: 0= 4.704 MHz, 1= 3.528 MHz, 2= 2.352 MHz, 3= 1.176 MHz.

### 6.3. DAC0 Node (NID = 0x02)

#### 6.3.1. DAC0 Cnvtr

Table 64. DAC0 Cnvtr Command Verb Format

	Verb ID	Payload	Response
<b>Get</b>	A	0000	See bitfield table.
<b>Set1</b>	2	See bits [15:0] of bitfield table.	0000_0000h

Table 65. DAC0 Cnvtr Command Response Format

Bit	Bitfield Name	RW	Reset	Description
[31..16]	Rsvd2	R	0x0	Reserved
[15]	StrmType	R	0x0	Stream Type: only PCM streams are supported by this widget.
[14]	FrmtSmplRate	RW	0x0	Sample Base Rate 0= 48 KHz 1= 44.1 KHz
[13..11]	SmplRateMultp	RW	0x0	Sample Base Rate Multiple 000= 48 KHz/44.1 KHz or less 001= x2 010= Reserved (x3) 011= x4 100-111= Reserved
[10..8]	SmplRateDiv	RW	0x0	Sample Base Rate Divisor 000= Divide by 1 001= Divide by 2 010= Divide by 3 011= Divide by 4 100= Divide by 5 101= Divide by 6 110= Divide by 7 111= Divide by 8
[7]	Rsvd1	R	0x0	Reserved

Table 65. DAC0 Cnvtr Command Response Format

Bit	Bitfield Name	RW	Reset	Description
[6..4]	BitsPerSmpl	RW	0x3	Bits per Sample 000= 8 bits 001= 16 bits 010= 20 bits 011= 24 bits 100-111= Reserved
[3..0]	NmbrChan	RW	0x1	Number of Channels Number of channels in each frame of the stream. 0000= 1 channel 0001 = 2 channels ... 1111= 16 channels

### 6.3.2. DAC0 OutAmpRight

Table 66. DAC0 OutAmpRight Command Verb Format

	Verb ID	Payload	Response
<b>Get</b>	B80	00	See bitfield table.
<b>Set1</b>	390	See bits [7:0] of bitfield table.	0000_0000h

Table 67. DAC0 OutAmpRight Command Response Format

Bit	Bitfield Name	RW	Reset	Description
[31..8]	Rsvd	R	0x0	Reserved
[7]	Mute	RW	0x1	1= mute is active
[6..0]	Gain	RW	0x7F	Amplifier gain step number

### 6.3.3. DAC0 OutAmpLeft

Table 68. DAC0 OutAmpLeft Command Verb Format

	Verb ID	Payload	Response
<b>Get</b>	BA0	00	See bitfield table.
<b>Set1</b>	3A0	See bits [7:0] of bitfield table.	0000_0000h

Table 69. DAC0 OutAmpLeft Command Response Format

Bit	Bitfield Name	RW	Reset	Description
[31.:8]	Rsvd	R	0x0	Reserved
[7]	Mute	RW	0x1	1= mute is active
[6.:0]	Gain	RW	0x7F	Amplifier gain step number

### 6.3.4. DAC0 WCap

Table 70. DAC0 WCap Command Verb Format

	Verb ID	Payload	Response
Get	F00	09	See bitfield table.

Table 71. DAC0 WCap Command Response Format

Bit	Bitfield Name	RW	Reset	Description
[31.:24]	Rsvd2	R	0x0	Reserved
[23.:20]	Type	R	0x0	Widget type = Audio Output
[19.:16]	Delay	R	0xD	Number of sample delays through widget
[15.:12]	Rsvd1	R	0x0	Reserved
[11]	SwapCap	R	0x1	Left and right channels can be swapped
[10]	PwrCntrl	R	0x1	Power State control is supported
[9]	Dig	R	0x0	Widget supports an Analog stream
[8]	ConnList	R	0x0	No connection list is present
[7]	UnSolCap	R	0x0	No support for Unsolicited Response
[6]	ProcWidget	R	0x0	No Processing Controls parameter.
[5]	Stripe	R	0x0	No support for striping
[4]	FormatOvrd	R	0x0	No format info; use default format parameters from Audio Function node instead

Table 71. DAC0 WCap Command Response Format

Bit	Bitfield Name	RW	Reset	Description
[3]	AmpParOvrd	R	0x0	No amplifier info; use default amplifier parameters from Audio Function node instead
[2]	OutAmpPrsnt	R	0x1	Output amp
[1]	InAmpPrsnt	R	0x0	No input amp
[0]	Stereo	R	0x1	Stereo widget

### 6.3.5. DAC0 PwrState

Table 72. DAC0 PwrState Command Verb Format

	Verb ID	Payload	Response
<b>Get</b>	F05	00	See bitfield table.
<b>Set1</b>	705	See bits [7:0] of bitfield table.	0000_0000h

Table 73. DAC0 PwrState Command Response Format

Bit	Bitfield Name	RW	Reset	Description
[31..8]	Rsvd2	R	0x0	Reserved
[7..4]	Act	R	0x3	PS-Act: Actual power state of referenced node.
[3..2]	Rsvd1	R	0x0	Reserved
[1..0]	Set	RW	0x3	PS-Set: Current power setting of referenced node. 00 - Fully on. 01 - Fully on. 10 - Fully on. 11 - Powered down.

### 6.3.6. DAC0 CnvtrID

Table 74. DAC0 CnvtrID Command Verb Format

	Verb ID	Payload	Response
<b>Get</b>	F06	00	See bitfield table.
<b>Set1</b>	706	See bits [7:0] of bitfield table.	0000_0000h

Table 75. DAC0 CnvtrID Command Response Format

Bit	Bitfield Name	RW	Reset	Description
[31..8]	Rsvd	R	0x0	Reserved
[7..4]	Strm	RW	0x0	Software-programmable integer representing link stream ID used by the converter widget. By convention stream 0 is reserved as unused.
[3..0]	Ch	RW	0x0	Integer representing lowest channel used by converter.

### 6.3.7. DAC0 LR

Table 76. DAC0 LR Command Verb Format

	Verb ID	Payload	Response
<b>Get</b>	F0C	00	See bitfield table.
<b>Set1</b>	70C	See bits [7:0] of bitfield table.	0000_0000h

Table 77. DAC0 LR Command Response Format

Bit	Bitfield Name	RW	Reset	Description
[31..3]	Rsvd2	R	0x0	Reserved
[2]	SwapEn	RW	0x0	1= enable swapping of left and right channels.
[1..0]	Rsvd1	R	0x0	Reserved

## 6.4. DAC1 Node (NID = 0x03)

### 6.4.1. DAC1 Cnvtr

Table 78. DAC1 Cnvtr Command Verb Format

	Verb ID	Payload	Response
<b>Get</b>	A	0000	See bitfield table.
<b>Set1</b>	2	See bits [15:0] of bitfield table.	0000_0000h

Table 79. DAC1 Cnvtr Command Response Format

Bit	Bitfield Name	RW	Reset	Description
[31..16]	Rsvd2	R	0x0	Reserved
[15]	StrmType	R	0x0	Stream Type: only PCM streams are supported by this widget.
[14]	FrmtSmplRate	RW	0x0	Sample Base Rate 0= 48 KHz 1= 44.1 KHz
[13..11]	SmplRateMultp	RW	0x0	Sample Base Rate Multiple 000= 48 KHz/44.1 KHz or less 001= x2 010= Reserved (x3) 011= x4 100-111= Reserved
[10..8]	SmplRateDiv	RW	0x0	Sample Base Rate Divisor 000= Divide by 1 001= Divide by 2 010= Divide by 3 011= Divide by 4 100= Divide by 5 101= Divide by 6 110= Divide by 7 111= Divide by 8
[7]	Rsvd1	R	0x0	Reserved
[6..4]	BitsPerSmpl	RW	0x3	Bits per Sample 000= 8 bits 001= 16 bits 010= 20 bits 011= 24 bits 100-111= Reserved
[3..0]	NmbrChan	RW	0x1	Number of Channels Number of channels in each frame of the stream. 0000= 1 channel 0001 = 2 channels ... 1111= 16 channels



**6.4.2. DAC1 OutAmpRight****Table 80. DAC1 OutAmpRight Command Verb Format**

	Verb ID	Payload	Response
<b>Get</b>	B80	00	See bitfield table.
<b>Set1</b>	390	See bits [7:0] of bitfield table.	0000_0000h

**Table 81. DAC1 OutAmpRight Command Response Format**

Bit	Bitfield Name	RW	Reset	Description
[31.:8]	Rsvd	R	0x0	Reserved
[7]	Mute	RW	0x1	1= mute is active
[6.:0]	Gain	RW	0x7F	Amplifier gain step number

**6.4.3. DAC1 OutAmpLeft****Table 82. DAC1 OutAmpLeft Command Verb Format**

	Verb ID	Payload	Response
<b>Get</b>	BA0	00	See bitfield table.
<b>Set1</b>	3A0	See bits [7:0] of bitfield table.	0000_0000h

**Table 83. DAC1 OutAmpLeft Command Response Format**

Bit	Bitfield Name	RW	Reset	Description
[31.:8]	Rsvd	R	0x0	Reserved
[7]	Mute	RW	0x1	1= mute is active
[6.:0]	Gain	RW	0x7F	Amplifier gain step number

**6.4.4. DAC1 WCap****Table 84. DAC1 WCap Command Verb Format**

	Verb ID	Payload	Response
<b>Get</b>	F00	09	See bitfield table.

Table 85. DAC1 WCap Command Response Format

Bit	Bitfield Name	RW	Reset	Description
[31..24]	Rsvd2	R	0x0	Reserved
[23..20]	Type	R	0x0	Widget type = Audio Output
[19..16]	Delay	R	0xD	Number of sample delays through widget
[15..12]	Rsvd1	R	0x0	Reserved
[11]	SwapCap	R	0x1	Left and right channels can be swapped
[10]	PwrCntrl	R	0x1	Power State control is supported
[9]	Dig	R	0x0	Widget supports an Analog stream
[8]	ConnList	R	0x0	No connection list is present
[7]	UnSolCap	R	0x0	No support for Unsolicited Response
[6]	ProcWidget	R	0x0	No Processing Controls parameter.
[5]	Stripe	R	0x0	No support for striping
[4]	FormatOvrd	R	0x0	No format info; use default format parameters from Audio Function node instead
[3]	AmpParOvrd	R	0x0	No amplifier info; use default amplifier parameters from Audio Function node instead
[2]	OutAmpPrsnt	R	0x1	Output amp
[1]	InAmpPrsnt	R	0x0	No input amp
[0]	Stereo	R	0x1	Stereo widget

#### 6.4.5. DAC1 PwrState

Table 86. DAC1 PwrState Command Verb Format

	Verb ID	Payload	Response
<b>Get</b>	F05	00	See bitfield table.
<b>Set1</b>	705	See bits [7:0] of bitfield table.	0000_0000h

Table 87. DAC1 PwrState Command Response Format

Bit	Bitfield Name	RW	Reset	Description
[31.:8]	Rsvd2	R	0x0	Reserved
[7.:4]	Act	R	0x3	PS-Act: Actual power state of referenced node.
[3.:2]	Rsvd1	R	0x0	Reserved
[1.:0]	Set	RW	0x3	PS-Set: Current power setting of referenced node. 00 - Fully on. 01 - Fully on. 10 - Fully on. 11 - Powered down.

#### 6.4.6. DAC1 CnvtrID

Table 88. DAC1 CnvtrID Command Verb Format

	Verb ID	Payload	Response
<b>Get</b>	F06	00	See bitfield table.
<b>Set1</b>	706	See bits [7:0] of bitfield table.	0000_0000h

Table 89. DAC1 CnvtrID Command Response Format

Bit	Bitfield Name	RW	Reset	Description
[31.:8]	Rsvd	R	0x0	Reserved
[7.:4]	Strm	RW	0x0	Software-programmable integer representing link stream ID used by the converter widget. By convention stream 0 is reserved as unused.
[3.:0]	Ch	RW	0x0	Integer representing lowest channel used by converter.

### 6.4.7. DAC1 LR

Table 90. DAC1 LR Command Verb Format

	Verb ID	Payload	Response
<b>Get</b>	F0C	00	See bitfield table.
<b>Set1</b>	70C	See bits [7:0] of bitfield table.	0000_0000h

Table 91. DAC1 LR Command Response Format

Bit	Bitfield Name	RW	Reset	Description
[31..3]	Rsvd2	R	0x0	Reserved
[2]	SwapEn	RW	0x0	1= enable swapping of left and right channels.
[1..0]	Rsvd1	R	0x0	Reserved

## 6.5. DAC2 Node (NID = 0x04)

### 6.5.1. DAC2 Cnvtr

Table 92. DAC2 Cnvtr Command Verb Format

	Verb ID	Payload	Response
<b>Get</b>	A	0000	See bitfield table.
<b>Set1</b>	2	See bits [15:0] of bitfield table.	0000_0000h

Table 93. DAC2 Cnvtr Command Response Format

Bit	Bitfield Name	RW	Reset	Description
[31..16]	Rsvd2	R	0x0	Reserved
[15]	StrmType	R	0x0	Stream Type: only PCM streams are supported by this widget.
[14]	FrmtSmplRate	RW	0x0	Sample Base Rate 0= 48 KHz 1= 44.1 KHz

Table 93. DAC2 Cnvtr Command Response Format

Bit	Bitfield Name	RW	Reset	Description
[13::11]	SmplRateMultp	RW	0x0	Sample Base Rate Multiple 000= 48 KHz / 44.1 KHz or less 001= x2 010= Reserved (x3) 011= x4 100-111= Reserved
[10.:8]	SmplRateDiv	RW	0x0	Sample Base Rate Divisor 000= Divide by 1 001= Divide by 2 010= Divide by 3 011= Divide by 4 100= Divide by 5 101= Divide by 6 110= Divide by 7 111= Divide by 8
[7]	Rsvd1	R	0x0	Reserved
[6.:4]	BitsPerSmpl	RW	0x3	Bits per Sample 000= 8 bits 001= 16 bits 010= 20 bits 011= 24 bits 100-111= Reserved
[3.:0]	NmbrChan	RW	0x1	Number of Channels Number of channels in each frame of the stream. 0000= 1 channel 0001 = 2 channels ... 1111= 16 channels

### 6.5.2. DAC2 OutAmpRight

Table 94. DAC2 OutAmpRight Command Verb Format

	Verb ID	Payload	Response
<b>Get</b>	B80	00	See bitfield table.
<b>Set1</b>	390	See bits [7:0] of bitfield table.	0000_0000h

Table 95. DAC2 OutAmpRight Command Response Format

Bit	Bitfield Name	RW	Reset	Description
[31.:8]	Rsvd	R	0x0	Reserved
[7]	Mute	RW	0x1	1= mute is active
[6.:0]	Gain	RW	0x7F	Amplifier gain step number

### 6.5.3. DAC2 OutAmpLeft

Table 96. DAC2 OutAmpLeft Command Verb Format

	Verb ID	Payload	Response
<b>Get</b>	BA0	00	See bitfield table.
<b>Set1</b>	3A0	See bits [7:0] of bitfield table.	0000_0000h

Table 97. DAC2 OutAmpLeft Command Response Format

Bit	Bitfield Name	RW	Reset	Description
[31.:8]	Rsvd	R	0x0	Reserved
[7]	Mute	RW	0x1	1= mute is active
[6.:0]	Gain	RW	0x7F	Amplifier gain step number

### 6.5.4. DAC2 WCap

Table 98. DAC2 WCap Command Verb Format

	Verb ID	Payload	Response
<b>Get</b>	F00	09	See bitfield table.

Table 99. DAC2 WCap Command Response Format

Bit	Bitfield Name	RW	Reset	Description
[31.:24]	Rsvd2	R	0x0	Reserved
[23.:20]	Type	R	0x0	Widget type = Audio Output
[19.:16]	Delay	R	0xD	Number of sample delays through widget

Table 99. DAC2 WCap Command Response Format

Bit	Bitfield Name	RW	Reset	Description
[15.:12]	Rsvd1	R	0x0	Reserved
[11]	SwapCap	R	0x1	Left and right channels can be swapped
[10]	PwrCntrl	R	0x1	Power State control is supported
[9]	Dig	R	0x0	Widget supports an Analog stream
[8]	ConnList	R	0x0	No connection list is present
[7]	UnSolCap	R	0x0	No support for Unsolicited Response
[6]	ProcWidget	R	0x0	No Processing Controls parameter.
[5]	Stripe	R	0x0	No support for striping
[4]	FormatOvrD	R	0x0	No format info; use default format parameters from Audio Function node instead
[3]	AmpParOvrD	R	0x0	No amplifier info; use default amplifier parameters from Audio Function node instead
[2]	OutAmpPrsnt	R	0x1	Output amp
[1]	InAmpPrsnt	R	0x0	No input amp
[0]	Stereo	R	0x1	Stereo widget

### 6.5.5. DAC2 PwrState

Table 100. DAC2 PwrState Command Verb Format

	Verb ID	Payload	Response
<b>Get</b>	F05	00	See bitfield table.
<b>Set1</b>	705	See bits [7:0] of bitfield table.	0000_0000h

Table 101. DAC2 PwrState Command Response Format

Bit	Bitfield Name	RW	Reset	Description
[31.:8]	Rsvd2	R	0x0	Reserved
[7.:4]	Act	R	0x3	PS-Act: Actual power state of referenced node.

Table 101. DAC2 PwrState Command Response Format

Bit	Bitfield Name	RW	Reset	Description
[3..2]	Rsvd1	R	0x0	Reserved
[1..0]	Set	RW	0x3	PS-Set: Current power setting of referenced node. 00 - Fully on. 01 - Fully on. 10 - Fully on. 11 - Powered down.

### 6.5.6. DAC2 CnvtrID

Table 102. DAC2 CnvtrID Command Verb Format

	Verb ID	Payload	Response
<b>Get</b>	F06	00	See bitfield table.
<b>Set1</b>	706	See bits [7:0] of bitfield table.	0000_0000h

Table 103. DAC2 CnvtrID Command Response Format

Bit	Bitfield Name	RW	Reset	Description
[31..8]	Rsvd	R	0x0	Reserved
[7..4]	Strm	RW	0x0	Software-programmable integer representing link stream ID used by the converter widget. By convention stream 0 is reserved as unused.
[3..0]	Ch	RW	0x0	Integer representing lowest channel used by converter.

### 6.5.7. DAC2 LR

Table 104. DAC2 LR Command Verb Format

	Verb ID	Payload	Response
<b>Get</b>	F0C	00	See bitfield table.
<b>Set1</b>	70C	See bits [7:0] of bitfield table.	0000_0000h



Table 105. DAC2 LR Command Response Format

Bit	Bitfield Name	RW	Reset	Description
[31..3]	Rsvd2	R	0x0	Reserved
[2]	SwapEn	RW	0x0	1= enable swapping of left and right channels.
[1..0]	Rsvd1	R	0x0	Reserved

## 6.6. DAC3 Node (NID = 0x05)

### 6.6.1. DAC3 Cnvtr

Table 106. DAC3 Cnvtr Command Verb Format

	Verb ID	Payload	Response
<b>Get</b>	A	0000	See bitfield table.
<b>Set1</b>	2	See bits [15:0] of bitfield table.	0000_0000h

Table 107. DAC3 Cnvtr Command Response Format

Bit	Bitfield Name	RW	Reset	Description
[31..16]	Rsvd2	R	0x0	Reserved
[15]	StrmType	R	0x0	Stream Type: only PCM streams are supported by this widget.
[14]	FrmtSmplRate	RW	0x0	Sample Base Rate 0= 48 KHz 1= 44.1 KHz
[13..11]	SmplRateMultp	RW	0x0	Sample Base Rate Multiple 000= 48 KHz / 44.1 KHz or less 001= x2 010= Reserved (x3) 011= x4 100-111= Reserved

Table 107. DAC3 Cnvtr Command Response Format

Bit	Bitfield Name	RW	Reset	Description
[10.:8]	SmplRateDiv	RW	0x0	Sample Base Rate Divisor 000= Divide by 1 001= Divide by 2 010= Divide by 3 011= Divide by 4 100= Divide by 5 101= Divide by 6 110= Divide by 7 111= Divide by 8
[7]	Rsvd1	R	0x0	Reserved
[6.:4]	BitsPerSmpl	RW	0x3	Bits per Sample 000= 8 bits 001= 16 bits 010= 20 bits 011= 24 bits 100-111= Reserved
[3.:0]	NmbrChan	RW	0x1	Number of Channels Number of channels in each frame of the stream. 0000= 1 channel 0001 = 2 channels ... 1111= 16 channels

### 6.6.2. DAC3 OutAmpRight

Table 108. DAC3 OutAmpRight Command Verb Format

	Verb ID	Payload	Response
<b>Get</b>	B80	00	See bitfield table.
<b>Set1</b>	390	See bits [7:0] of bitfield table.	0000_0000h

Table 109. DAC3 OutAmpRight Command Response Format

Bit	Bitfield Name	RW	Reset	Description
[31.:8]	Rsvd	R	0x0	Reserved
[7]	Mute	RW	0x1	1= mute is active
[6.:0]	Gain	RW	0x7F	Amplifier gain step number

### 6.6.3. DAC3 OutAmpLeft

Table 110. DAC3 OutAmpLeft Command Verb Format

	Verb ID	Payload	Response
Get	BA0	00	See bitfield table.
Set1	3A0	See bits [7:0] of bitfield table.	0000_0000h

Table 111. DAC3 OutAmpLeft Command Response Format

Bit	Bitfield Name	RW	Reset	Description
[31.:8]	Rsvd	R	0x0	Reserved
[7]	Mute	RW	0x1	1= mute is active
[6.:0]	Gain	RW	0x7F	Amplifier gain step number

### 6.6.4. DAC3 WCap

Table 112. DAC3 WCap Command Verb Format

	Verb ID	Payload	Response
Get	F00	09	See bitfield table.

Table 113. DAC3 WCap Command Response Format

Bit	Bitfield Name	RW	Reset	Description
[31.:24]	Rsvd2	R	0x0	Reserved
[23.:20]	Type	R	0x0	Widget type = Audio Output
[19.:16]	Delay	R	0xD	Number of sample delays through widget
[15.:12]	Rsvd1	R	0x0	Reserved
[11]	SwapCap	R	0x1	Left and right channels can be swapped
[10]	PwrCntrl	R	0x1	Power State control is supported
[9]	Dig	R	0x0	Widget supports an Analog stream
[8]	ConnList	R	0x0	No connection list is present
[7]	UnSolCap	R	0x0	No support for Unsolicited Response

Table 113. DAC3 WCap Command Response Format

Bit	Bitfield Name	RW	Reset	Description
[6]	ProcWidget	R	0x0	No Processing Controls parameter.
[5]	Stripe	R	0x0	No support for striping
[4]	FormatOvrd	R	0x0	No format info; use default format parameters from Audio Function node instead
[3]	AmpParOvrd	R	0x0	No amplifier info; use default amplifier parameters from Audio Function node instead
[2]	OutAmpPrsnt	R	0x1	Output amp
[1]	InAmpPrsnt	R	0x0	No input amp
[0]	Stereo	R	0x1	Stereo widget

### 6.6.5. DAC3 PwrState

Table 114. DAC3 PwrState Command Verb Format

	Verb ID	Payload	Response
<b>Get</b>	F05	00	See bitfield table.
<b>Set1</b>	705	See bits [7:0] of bitfield table.	0000_0000h

Table 115. DAC3 PwrState Command Response Format

Bit	Bitfield Name	RW	Reset	Description
[31.:8]	Rsvd2	R	0x0	Reserved
[7.:4]	Act	R	0x3	PS-Act: Actual power state of referenced node.
[3.:2]	Rsvd1	R	0x0	Reserved
[1.:0]	Set	RW	0x3	PS-Set: Current power setting of referenced node. 00 - Fully on. 01 - Fully on. 10 - Fully on. 11 - Powered down.

6.6.6. *DAC3 CnvtrID*

Table 116. DAC3 CnvtrID Command Verb Format

	Verb ID	Payload	Response
<b>Get</b>	F06	00	See bitfield table.
<b>Set1</b>	706	See bits [7:0] of bitfield table.	0000_0000h

Table 117. DAC3 CnvtrID Command Response Format

Bit	Bitfield Name	RW	Reset	Description
[31..8]	Rsvd	R	0x0	Reserved
[7..4]	Strm	RW	0x0	Software-programmable integer representing link stream ID used by the converter widget. By convention stream 0 is reserved as unused.
[3..0]	Ch	RW	0x0	Integer representing lowest channel used by converter.

6.6.7. *DAC3 LR*

Table 118. DAC3 LR Command Verb Format

	Verb ID	Payload	Response
<b>Get</b>	F0C	00	See bitfield table.
<b>Set1</b>	70C	See bits [7:0] of bitfield table.	0000_0000h

Table 119. DAC3 LR Command Response Format

Bit	Bitfield Name	RW	Reset	Description
[31..3]	Rsvd2	R	0x0	Reserved
[2]	SwapEn	RW	0x0	1= enable swapping of left and right channels.
[1..0]	Rsvd1	R	0x0	Reserved

## 6.7. DAC4 Node (NID = 0x06)

### 6.7.1. DAC4 Cnvtr

Table 120. DAC4 Cnvtr Command Verb Format

	Verb ID	Payload	Response
Get	A	0000	See bitfield table.
Set1	2	See bits [15:0] of bitfield table.	0000_0000h

Table 121. DAC4 Cnvtr Command Response Format

Bit	Bitfield Name	RW	Reset	Description
[31..16]	Rsvd2	R	0x0	Reserved
[15]	StrmType	R	0x0	Stream Type: only PCM streams are supported by this widget.
[14]	FrmtSmplRate	RW	0x0	Sample Base Rate 0= 48 KHz 1= 44.1 KHz
[13..11]	SmplRateMultp	RW	0x0	Sample Base Rate Multiple 000= 48 KHz / 44.1 KHz or less 001= x2 010= Reserved (x3) 011= x4 100-111= Reserved
[10..8]	SmplRateDiv	RW	0x0	Sample Base Rate Divisor 000= Divide by 1 001= Divide by 2 010= Divide by 3 011= Divide by 4 100= Divide by 5 101= Divide by 6 110= Divide by 7 111= Divide by 8
[7]	Rsvd1	R	0x0	Reserved

Table 121. DAC4 Cnvtr Command Response Format

Bit	Bitfield Name	RW	Reset	Description
[6..4]	BitsPerSmpl	RW	0x3	Bits per Sample 000= 8 bits 001= 16 bits 010= 20 bits 011= 24 bits 100-111= Reserved
[3..0]	NmbrChan	RW	0x1	Number of Channels Number of channels in each frame of the stream. 0000= 1 channel 0001 = 2 channels ... 1111= 16 channels

### 6.7.2. DAC4 OutAmpRight

Table 122. DAC4 OutAmpRight Command Verb Format

	Verb ID	Payload	Response
<b>Get</b>	B80	00	See bitfield table.
<b>Set1</b>	390	See bits [7:0] of bitfield table.	0000_0000h

Table 123. DAC4 OutAmpRight Command Response Format

Bit	Bitfield Name	RW	Reset	Description
[31..8]	Rsvd	R	0x0	Reserved
[7]	Mute	RW	0x1	1= mute is active
[6..0]	Gain	RW	0x7F	Amplifier gain step number

### 6.7.3. DAC4 OutAmpLeft

Table 124. DAC4 OutAmpLeft Command Verb Format

	Verb ID	Payload	Response
<b>Get</b>	BA0	00	See bitfield table.
<b>Set1</b>	3A0	See bits [7:0] of bitfield table.	0000_0000h

Table 125. DAC4 OutAmpLeft Command Response Format

Bit	Bitfield Name	RW	Reset	Description
[31.:8]	Rsvd	R	0x0	Reserved
[7]	Mute	RW	0x1	1= mute is active
[6.:0]	Gain	RW	0x7F	Amplifier gain step number

#### 6.7.4. DAC4 WCap

Table 126. DAC4 WCap Command Verb Format

	Verb ID	Payload	Response
Get	F00	09	See bitfield table.

Table 127. DAC4 WCap Command Response Format

Bit	Bitfield Name	RW	Reset	Description
[31.:24]	Rsvd2	R	0x0	Reserved
[23.:20]	Type	R	0x0	Widget type = Audio Output
[19.:16]	Delay	R	0xD	Number of sample delays through widget
[15.:12]	Rsvd1	R	0x0	Reserved
[11]	SwapCap	R	0x1	Left and right channels can be swapped
[10]	PwrCntrl	R	0x1	Power State control is supported
[9]	Dig	R	0x0	Widget supports an Analog stream
[8]	ConnList	R	0x0	No connection list is present
[7]	UnSolCap	R	0x0	No support for Unsolicited Response
[6]	ProcWidget	R	0x0	No Processing Controls parameter.
[5]	Stripe	R	0x0	No support for striping
[4]	FormatOvrd	R	0x0	No format info; use default format parameters from Audio Function node instead



Table 127. DAC4 WCap Command Response Format

Bit	Bitfield Name	RW	Reset	Description
[3]	AmpParOvrd	R	0x0	No amplifier info; use default amplifier parameters from Audio Function node instead
[2]	OutAmpPrsnt	R	0x1	Output amp
[1]	InAmpPrsnt	R	0x0	No input amp
[0]	Stereo	R	0x1	Stereo widget

### 6.7.5. DAC4 PwrState

Table 128. DAC4 PwrState Command Verb Format

	Verb ID	Payload	Response
<b>Get</b>	F05	00	See bitfield table.
<b>Set1</b>	705	See bits [7:0] of bitfield table.	0000_0000h

Table 129. DAC4 PwrState Command Response Format

Bit	Bitfield Name	RW	Reset	Description
[31..8]	Rsvd2	R	0x0	Reserved
[7..4]	Act	R	0x3	PS-Act: Actual power state of referenced node.
[3..2]	Rsvd1	R	0x0	Reserved
[1..0]	Set	RW	0x3	PS-Set: Current power setting of referenced node. 00 - Fully on. 01 - Fully on. 10 - Fully on. 11 - Powered down.

### 6.7.6. DAC4 CnvtrID

Table 130. DAC4 CnvtrID Command Verb Format

	Verb ID	Payload	Response
<b>Get</b>	F06	00	See bitfield table.
<b>Set1</b>	706	See bits [7:0] of bitfield table.	0000_0000h

Table 131. DAC4 CnvtrID Command Response Format

Bit	Bitfield Name	RW	Reset	Description
[31.:8]	Rsvd	R	0x0	Reserved
[7.:4]	Strm	RW	0x0	Software-programmable integer representing link stream ID used by the converter widget. By convention stream 0 is reserved as unused.
[3.:0]	Ch	RW	0x0	Integer representing lowest channel used by converter.

### 6.7.7. DAC4 LR

Table 132. DAC4 LR Command Verb Format

	Verb ID	Payload	Response
<b>Get</b>	F0C	00	See bitfield table.
<b>Set1</b>	70C	See bits [7:0] of bitfield table.	0000_0000h

Table 133. DAC4 LR Command Response Format

Bit	Bitfield Name	RW	Reset	Description
[31.:3]	Rsvd2	R	0x0	Reserved
[2]	SwapEn	RW	0x0	1= enable swapping of left and right channels.
[1.:0]	Rsvd1	R	0x0	Reserved

## 6.8. ADC0 Node (NID = 0x07)

### 6.8.1. ADC0 Cnvtr

Table 134. ADC0 Cnvtr Command Verb Format

	Verb ID	Payload	Response
<b>Get</b>	A	0000	See bitfield table.
<b>Set1</b>	2	See bits [15:0] of bitfield table.	0000_0000h

Table 135. ADC0 Cnvtr Command Response Format

Bit	Bitfield Name	RW	Reset	Description
[31..16]	Rsvd2	R	0x0	Reserved
[15]	StrmType	R	0x0	Stream Type: only PCM streams are supported by this widget.
[14]	FrmtSmplRate	RW	0x0	Sample Base Rate 0= 48 KHz 1= 44.1 KHz
[13..11]	SmplRateMultp	RW	0x0	Sample Base Rate Multiple 000= 48 KHz / 44.1 KHz or less 001= x2 010= Reserved (x3) 011= x4 100-111= Reserved
[10..8]	SmplRateDiv	RW	0x0	Sample Base Rate Divisor 000= Divide by 1 001= Divide by 2 010= Divide by 3 011= Divide by 4 100= Divide by 5 101= Divide by 6 110= Divide by 7 111= Divide by 8
[7]	Rsvd1	R	0x0	Reserved
[6..4]	BitsPerSmpl	RW	0x3	Bits per Sample 000= 8 bits 001= 16 bits 010= 20 bits 011= 24 bits 100-111= Reserved
[3..0]	NmbrChan	RW	0x1	Number of Channels Number of channels in each frame of the stream. 0000= 1 channel 0001 = 2 channels ... 1111= 16 channels

## 6.8.2. ADC0 WCap

Table 136. ADC0 WCap Command Verb Format

	Verb ID	Payload	Response
Get	F00	09	See bitfield table.

Table 137. ADC0 WCap Command Response Format

Bit	Bitfield Name	RW	Reset	Description
[31..24]	Rsvd2	R	0x0	Reserved
[23..20]	Type	R	0x1	Widget type = Audio Input
[19..16]	Delay	R	0xD	Number of sample delays through widget
[15..12]	Rsvd1	R	0x0	Reserved
[11]	SwapCap	R	0x0	No left/right swap capability
[10]	PwrCntrl	R	0x1	Power State control is supported
[9]	Dig	R	0x0	Widget supports an Analog stream
[8]	ConnList	R	0x1	Connection list is present
[7]	UnSolCap	R	0x0	No support for Unsolicited Response
[6]	ProcWidget	R	0x1	Software should query the Processing Controls parameter for this widget.
[5]	Stripe	R	0x0	No support for striping
[4]	FormatOvrd	R	0x0	No format info; use default format parameters from Audio Function node instead
[3]	AmpParOvrd	R	0x0	No amplifier info; use default amplifier parameters from Audio Function node instead
[2]	OutAmpPrsnt	R	0x0	No output amp
[1]	InAmpPrsnt	R	0x0	No input amp
[0]	Stereo	R	0x1	Stereo widget

### 6.8.3. ADC0 ConLst

Table 138. ADC0 ConLst Command Verb Format

	Verb ID	Payload	Response
Get	F00	0E	See bitfield table.

Table 139. ADC0 ConLst Command Response Format

Bit	Bitfield Name	RW	Reset	Description
[31.:8]	Rsvd	R	0x0	Reserved.
[7]	LForm	R	0x0	Connection list uses short-form (7-bit) NID entries.
[6.:0]	ConL	R	0x01	Number of NID entries in connection list.

### 6.8.4. ADC0 ConLstEntry

Table 140. ADC0 ConLstEntry Command Verb Format

	Verb ID	Payload	Response
Get	F02	00	See bitfield table.

Table 141. ADC0 ConLstEntry Command Response Format

Bit	Bitfield Name	RW	Reset	Description
[31.:24]	ConL3	R	0x00	Unused list entry.
[23.:16]	ConL2	R	0x00	Unused list entry.
[15.:8]	ConL1	R	0x00	Unused list entry.
[7.:0]	ConL0	R	0x1B	ADC0Mux widget

### 6.8.5. ADC0 ProcState

Table 142. ADC0 ProcState Command Verb Format

	Verb ID	Payload	Response
Get	F03	00	See bitfield table.
Set1	703	See bits [7:0] of bitfield table.	0000_0000h

Table 143. ADC0 ProcState Command Response Format

Bit	Bitfield Name	RW	Reset	Description
[31.:8]	Rsvd2	R	0x0	Reserved
[7]	HPFOCDIS	RW	0x0	High Pass Filter Offset Calculation Disable 0 = Calculation enabled. 1 = Calculation disabled.
[6.:2]	Rsvd1	R	0x0	Reserved
[1.:0]	ADCHPFByp	RW	0x1	Processing State = 00 (OFF): bypass the ADC high pass filter; Processing State = 01, 10, 11 (ON or BENIGN): ADC high pass filter is enabled.

### 6.8.6. ADC0 PwrState

Table 144. ADC0 PwrState Command Verb Format

	Verb ID	Payload	Response
<b>Get</b>	F05	00	See bitfield table.
<b>Set1</b>	705	See bits [7:0] of bitfield table.	0000_0000h

Table 145. ADC0 PwrState Command Response Format

Bit	Bitfield Name	RW	Reset	Description
[31.:8]	Rsvd2	R	0x0	Reserved
[7.:4]	Act	R	0x3	PS-Act: Actual power state of referenced node.
[3.:2]	Rsvd1	R	0x0	Reserved
[1.:0]	Set	RW	0x3	PS-Set: Current power setting of referenced node. 00 - Fully on. 01 - Fully on. 10 - Fully on. 11 - Powered down (default)

### 6.8.7. ADC0 CnvtrID

Table 146. ADC0 CnvtrID Command Verb Format

	Verb ID	Payload	Response
Get	F06	00	See bitfield table.
Set1	706	See bits [7:0] of bitfield table.	0000_0000h

Table 147. ADC0 CnvtrID Command Response Format

Bit	Bitfield Name	RW	Reset	Description
[31.:8]	Rsvd	R	0x0	Reserved
[7.:4]	Strm	RW	0x0	Software-programmable integer representing link stream ID used by the converter widget. By convention stream 0 is reserved as unused.
[3.:0]	Ch	RW	0x0	Integer representing lowest channel used by converter

## 6.9. ADC1 Node (NID = 0x08)

### 6.9.1. ADC1 Cnvtr

Table 148. ADC1 Cnvtr Command Verb Format

	Verb ID	Payload	Response
Get	A	0000	See bitfield table.
Set1	2	See bits [15:0] of bitfield table.	0000_0000h

Table 149. ADC1 Cnvtr Command Response Format

Bit	Bitfield Name	RW	Reset	Description
[31.:16]	Rsvd2	R	0x0	Reserved
[15]	StrmType	R	0x0	Stream Type: only PCM streams are supported by this widget.
[14]	FrmtSmplRate	RW	0x0	Sample Base Rate 0= 48 KHz 1= 44.1 KHz

Table 149. ADC1 Cnvtr Command Response Format

Bit	Bitfield Name	RW	Reset	Description
[13..11]	SmplRateMultp	RW	0x0	Sample Base Rate Multiple 000= 48 KHz / 44.1 KHz or less 001= x2 010= Reserved (x3) 011= x4 100-111= Reserved
[10..8]	SmplRateDiv	RW	0x0	Sample Base Rate Divisor 000= Divide by 1 001= Divide by 2 010= Divide by 3 011= Divide by 4 100= Divide by 5 101= Divide by 6 110= Divide by 7 111= Divide by 8
[7]	Rsvd1	R	0x0	Reserved
[6..4]	BitsPerSmpl	RW	0x3	Bits per Sample 000= 8 bits 001= 16 bits 010= 20 bits 011= 24 bits 100-111= Reserved
[3..0]	NmbrChan	RW	0x1	Number of Channels Number of channels in each frame of the stream. 0000= 1 channel 0001 = 2 channels ... 1111= 16 channels

### 6.9.2. ADC1 WCap

Table 150. ADC1 WCap Command Verb Format

	Verb ID	Payload	Response
<b>Get</b>	F00	09	See bitfield table.



Table 151. ADC1 WCap Command Response Format

Bit	Bitfield Name	RW	Reset	Description
[31..24]	Rsvd2	R	0x0	Reserved
[23..20]	Type	R	0x1	Widget type = Audio Input
[19..16]	Delay	R	0xD	Number of sample delays through widget
[15..12]	Rsvd1	R	0x0	Reserved
[11]	SwapCap	R	0x0	No left/right swap capability
[10]	PwrCntrl	R	0x1	Power State control is supported
[9]	Dig	R	0x0	Widget supports an Analog stream
[8]	ConnList	R	0x1	Connection list is present
[7]	UnSolCap	R	0x0	No support for Unsolicited Response
[6]	ProcWidget	R	0x1	Software should query the Processing Controls parameter for this widget.
[5]	Stripe	R	0x0	No support for striping
[4]	FormatOvrd	R	0x0	No format info; use default format parameters from Audio Function node instead
[3]	AmpParOvrd	R	0x0	No amplifier info; use default amplifier parameters from Audio Function node instead
[2]	OutAmpPrsnt	R	0x0	No output amp
[1]	InAmpPrsnt	R	0x0	No input amp
[0]	Stereo	R	0x1	Stereo widget

### 6.9.3. ADC1 ConLst

Table 152. ADC1 ConLst Command Verb Format

	Verb ID	Payload	Response
Get	F00	0E	See bitfield table.

Table 153. ADC1 ConLst Command Response Format

Bit	Bitfield Name	RW	Reset	Description
[31.:8]	Rsvd	R	0x0	Reserved.
[7]	LForm	R	0x0	Connection list uses short-form (7-bit) NID entries.
[6.:0]	ConL	R	0x01	Number of NID entries in connection list.

#### 6.9.4. ADC1 ConLstEntry

Table 154. ADC1 ConLstEntry Command Verb Format

	Verb ID	Payload	Response
Get	F02	00	See bitfield table.

Table 155. ADC1 ConLstEntry Command Response Format

Bit	Bitfield Name	RW	Reset	Description
[31.:24]	ConL3	R	0x00	Unused list entry.
[23.:16]	ConL2	R	0x00	Unused list entry.
[15.:8]	ConL1	R	0x00	Unused list entry.
[7.:0]	ConL0	R	0x1C	ADC1Mux widget

#### 6.9.5. ADC1 ProcState

Table 156. ADC1 ProcState Command Verb Format

	Verb ID	Payload	Response
Get	F03	00	See bitfield table.
Set1	703	See bits [7:0] of bitfield table.	0000_0000h

Table 157. ADC1 ProcState Command Response Format

Bit	Bitfield Name	RW	Reset	Description
[31.:8]	Rsvd2	R	0x0	Reserved
[7]	HPFOCDIS	RW	0x0	High Pass Filter Offset Calculation Disable 0 = Calculation enabled. 1 = Calculation disabled.
[6.:2]	Rsvd1	R	0x0	Reserved
[1.:0]	ADCHPFByp	RW	0x1	Processing State = 00 (OFF): bypass the ADC high pass filter; Processing State = 01, 10, 11 (ON or BENIGN): ADC high pass filter is enabled.

### 6.9.6. ADC1 PwrState

Table 158. ADC1 PwrState Command Verb Format

	Verb ID	Payload	Response
<b>Get</b>	F05	00	See bitfield table.
<b>Set1</b>	705	See bits [7:0] of bitfield table.	0000_0000h

Table 159. ADC1 PwrState Command Response Format

Bit	Bitfield Name	RW	Reset	Description
[31.:8]	Rsvd2	R	0x0	Reserved
[7.:4]	Act	R	0x3	PS-Act: Actual power state of referenced node.
[3.:2]	Rsvd1	R	0x0	Reserved
[1.:0]	Set	RW	0x3	PS-Set: Current power setting of referenced node. 00 - Fully on. 01 - Fully on. 10 - Fully on. 11 - Powered down (default)

### 6.9.7. ADC1 CnvtrID

Table 160. ADC1 CnvtrID Command Verb Format

	Verb ID	Payload	Response
Get	F06	00	See bitfield table.
Set1	706	See bits [7:0] of bitfield table.	0000_0000h

Table 161. ADC1 CnvtrID Command Response Format

Bit	Bitfield Name	RW	Reset	Description
[31.:8]	Rsvd	R	0x0	Reserved
[7.:4]	Strm	RW	0x0	Software-programmable integer representing link stream ID used by the converter widget. By convention stream 0 is reserved as unused.
[3.:0]	Ch	RW	0x0	Integer representing lowest channel used by converter

## 6.10. ADC2 Node (NID = 0x09)

### 6.10.1. ADC2 Cnvtr

Table 162. ADC2 Cnvtr Command Verb Format

	Verb ID	Payload	Response
Get	A	0000	See bitfield table.
Set1	2	See bits [15:0] of bitfield table.	0000_0000h

Table 163. ADC2 Cnvtr Command Response Format

Bit	Bitfield Name	RW	Reset	Description
[31.:16]	Rsvd2	R	0x0	Reserved
[15]	StrmType	R	0x0	Stream Type: only PCM streams are supported by this widget.
[14]	FrmtSmplRate	RW	0x0	Sample Base Rate 0= 48 KHz 1= 44.1 KHz

Table 163. ADC2 Cnvtr Command Response Format

Bit	Bitfield Name	RW	Reset	Description
[13::11]	SmplRateMultp	RW	0x0	Sample Base Rate Multiple 000= 48 KHz / 44.1 KHz or less 001= x2 010= Reserved (x3) 011= x4 100-111= Reserved
[10.:8]	SmplRateDiv	RW	0x0	Sample Base Rate Divisor 000= Divide by 1 001= Divide by 2 010= Divide by 3 011= Divide by 4 100= Divide by 5 101= Divide by 6 110= Divide by 7 111= Divide by 8
[7]	Rsvd1	R	0x0	Reserved
[6.:4]	BitsPerSmpl	RW	0x3	Bits per Sample 000= 8 bits 001= 16 bits 010= 20 bits 011= 24 bits 100-111= Reserved
[3.:0]	NmbrChan	RW	0x1	Number of Channels Number of channels in each frame of the stream. 0000= 1 channel 0001 = 2 channels ... 1111= 16 channels

### 6.10.2. ADC2 WCap

Table 164. ADC2 WCap Command Verb Format

	Verb ID	Payload	Response
<b>Get</b>	F00	09	See bitfield table.

Table 165. ADC2 WCap Command Response Format

Bit	Bitfield Name	RW	Reset	Description
[31..24]	Rsvd2	R	0x0	Reserved
[23..20]	Type	R	0x1	Widget type = Audio Input
[19..16]	Delay	R	0xD	Number of sample delays through widget
[15..12]	Rsvd1	R	0x0	Reserved
[11]	SwapCap	R	0x0	No left/right swap capability
[10]	PwrCntrl	R	0x1	Power State control is supported
[9]	Dig	R	0x0	Widget supports an Analog stream
[8]	ConnList	R	0x1	Connection list is present
[7]	UnSolCap	R	0x0	No support for Unsolicited Response
[6]	ProcWidget	R	0x1	Software should query the Processing Controls parameter for this widget.
[5]	Stripe	R	0x0	No support for striping
[4]	FormatOvrd	R	0x0	No format info; use default format parameters from Audio Function node instead
[3]	AmpParOvrd	R	0x0	No amplifier info; use default amplifier parameters from Audio Function node instead
[2]	OutAmpPrsnt	R	0x0	No output amp
[1]	InAmpPrsnt	R	0x0	No input amp
[0]	Stereo	R	0x1	Stereo widget

### 6.10.3. ADC2 ConLst

Table 166. ADC2 ConLst Command Verb Format

	Verb ID	Payload	Response
Get	F00	0E	See bitfield table.

Table 167. ADC2 ConLst Command Response Format

Bit	Bitfield Name	RW	Reset	Description
[31.:8]	Rsvd	R	0x0	Reserved.
[7]	LForm	R	0x0	Connection list uses short-form (7-bit) NID entries.
[6.:0]	ConL	R	0x01	Number of NID entries in connection list.

#### 6.10.4. ADC2 ConLstEntry

Table 168. ADC2 ConLstEntry Command Verb Format

	Verb ID	Payload	Response
Get	F02	00	See bitfield table.

Table 169. ADC2 ConLstEntry Command Response Format

Bit	Bitfield Name	RW	Reset	Description
[31.:24]	ConL3	R	0x00	Unused list entry.
[23.:16]	ConL2	R	0x00	Unused list entry.
[15.:8]	ConL1	R	0x00	Unused list entry.
[7.:0]	ConL0	R	0x1D	ADC2Mux widget

#### 6.10.5. ADC2 ProcState

Table 170. ADC2 ProcState Command Verb Format

	Verb ID	Payload	Response
Get	F03	00	See bitfield table.
Set1	703	See bits [7:0] of bitfield table.	0000_0000h

Table 171. ADC2 ProcState Command Response Format

Bit	Bitfield Name	RW	Reset	Description
[31.:8]	Rsvd2	R	0x0	Reserved
[7]	HPFOCDIS	RW	0x0	High Pass Filter Offset Calculation Disable 0 = Calculation enabled. 1 = Calculation disabled.
[6.:2]	Rsvd1	R	0x0	Reserved
[1.:0]	ADCHPFByp	RW	0x1	Processing State = 00 (OFF): bypass the ADC high pass filter; Processing State = 01, 10, 11 (ON or BENIGN): ADC high pass filter is enabled.

### 6.10.6. ADC2 PwrState

Table 172. ADC2 PwrState Command Verb Format

	Verb ID	Payload	Response
<b>Get</b>	F05	00	See bitfield table.
<b>Set1</b>	705	See bits [7:0] of bitfield table.	0000_0000h

Table 173. ADC2 PwrState Command Response Format

Bit	Bitfield Name	RW	Reset	Description
[31.:8]	Rsvd2	R	0x0	Reserved
[7.:4]	Act	R	0x3	PS-Act: Actual power state of referenced node.
[3.:2]	Rsvd1	R	0x0	Reserved
[1.:0]	Set	RW	0x3	PS-Set: Current power setting of referenced node. 00 - Fully on. 01 - Fully on. 10 - Fully on. 11 - Powered down (default)



### 6.10.7. ADC2 CnvtrID

Table 174. ADC2 CnvtrID Command Verb Format

	Verb ID	Payload	Response
Get	F06	00	See bitfield table.
Set1	706	See bits [7:0] of bitfield table.	0000_0000h

Table 175. ADC2 CnvtrID Command Response Format

Bit	Bitfield Name	RW	Reset	Description
[31.:8]	Rsvd	R	0x0	Reserved
[7.:4]	Strm	RW	0x0	Software-programmable integer representing link stream ID used by the converter widget. By convention stream 0 is reserved as unused.
[3.:0]	Ch	RW	0x0	Integer representing lowest channel used by converter

## 6.11. SPDIFOut Node (NID = 0x1E)

### 6.11.1. SPDIFOut Cnvtr

Table 176. SPDIFOut Cnvtr Command Verb Format

	Verb ID	Payload	Response
Get	A	0000	See bitfield table.
Set1	2	See bits [15:0] of bitfield table.	0000_0000h

Table 177. SPDIFOut Cnvtr Command Response Format

Bit	Bitfield Name	RW	Reset	Description
[31.:16]	Rsvd2	R	0x0	Reserved
[15]	FrmtNonPCM	RW	0x0	Stream Type 0= PCM 1= Non-PCM (remaining bits in this verb have other meanings)

Table 177. SPDIFOut Cnvtr Command Response Format

Bit	Bitfield Name	RW	Reset	Description
[14]	FrmtSmplRate	RW	0x0	Sample Base Rate 0= 48 KHz 1= 44.1 KHz
[13..11]	SmplRateMultp	RW	0x0	Sample Base Rate Multiple 000= 48 KHz / 44.1 KHz or less 001= x2 010= Reserved (x3) 011= x4 100-111= Reserved
[10..8]	SmplRateDiv	RW	0x0	Sample Base Rate Divisor 000= Divide by 1 001= Divide by 2 010= Divide by 3 011= Divide by 4 100= Divide by 5 101= Divide by 6 110= Divide by 7 111= Divide by 8
[7]	Rsvd1	R	0x0	Reserved
[6..4]	BitsPerSmpl	RW	0x3	Bits per Sample 000= 8 bits 001= 16 bits 010= 20 bits 011= 24 bits 100-111= Reserved
[3..0]	NmbrChan	RW	0x1	Number of Channels Number of channels in each frame of the stream. 0000= 1 channel 0001 = 2 channels ... 1111= 16 channels

### 6.11.2. SPDIFOut WCap

Table 178. SPDIFOut WCap Command Verb Format

	Verb ID	Payload	Response
Get	F00	09	See bitfield table.

Table 179. SPDIFOut WCap Command Response Format

Bit	Bitfield Name	RW	Reset	Description
[31..24]	Rsvd2	R	0x0	Reserved
[23..20]	Type	R	0x0	Widget type = Audio Output
[19..16]	Delay	R	0x4	Number of sample delays through widget
[15..12]	Rsvd1	R	0x0	Reserved
[11]	SwapCap	R	0x0	No left/right channel swap capability
[10]	PwrCntrl	R	0x0	No support for Power State control
[9]	Dig	R	0x1	Widget supports a Digital stream
[8]	ConnList	R	0x0	No connection list is present
[7]	UnSolCap	R	0x0	No support for Unsolicited Response
[6]	ProcWidget	R	0x0	No Processing Controls parameter
[5]	Stripe	R	0x0	No support for striping
[4]	FormatOvrd	R	0x1	Widget contains format info; software should query
[3]	AmpParOvrd	R	0x0	No amplifier info; use default amplifier parameters from Audio Function node instead
[2]	OutAmpPrsnt	R	0x0	No output amp
[1]	InAmpPrsnt	R	0x0	No input amp
[0]	Stereo	R	0x1	Stereo widget

### 6.11.3. SPDIFOut PCM

Table 180. SPDIFOut PCM Command Verb Format

	Verb ID	Payload	Response
Get	F00	0A	See bitfield table.

Table 181. SPDIFOut PCM Command Response Format

Bit	Bitfield Name	RW	Reset	Description
[31..21]	Rsvd2	R	0x0	Reserved
[20]	B32	R	0x0	32 bit audio formats are NOT supported
[19]	B24	R	0x1	24 bit audio formats are supported
[18]	B20	R	0x1	20 bit audio formats are supported
[17]	B16	R	0x1	16 bit audio formats are supported
[16]	B8	R	0x0	8 bit audio formats are NOT supported
[15..12]	Rsvd1	R	0x0	Reserved
[11]	R12	R	0x0	384 KHz rate (8/1*48 KHz) NOT supported
[10]	R11	R	0x1	192.0 KHz rate (4/1*48 KHz) supported
[9]	R10	R	0x1	176.4 KHz rate (4/1*44.1 KHz) supported
[8]	R9	R	0x1	96.0 KHz rate (2/1*48 KHz) supported
[7]	R8	R	0x1	88.2 KHz rate (2/1*44.1 KHz) supported
[6]	R7	R	0x1	48.0 KHz rate supported (REQUIRED)
[5]	R6	R	0x1	44.1 KHz rate supported
[4]	R5	R	0x0	32.0 KHz rate (2/3*48 KHz) NOT supported
[3]	R4	R	0x0	22.05 KHz rate (1/2*44.1 KHz) NOT supported
[2]	R3	R	0x0	16.0 KHz rate (1/3*48 KHz) NOT supported
[1]	R2	R	0x0	11.025 KHz rate (1/4*44.0 KHz) NOT supported
[0]	R1	R	0x0	8.0 KHz rate (1/6*48 KHz) NOT supported

#### 6.11.4. SPDIFOut Stream

Table 182. SPDIFOut Stream Command Verb Format

	Verb ID	Payload	Response
Get	F00	0B	See bitfield table.

Table 183. SPDIFOut Stream Command Response Format

Bit	Bitfield Name	RW	Reset	Description
[31.:3]	Rsvd	R	0x0	Reserved
[2]	NonPCM	R	0x1	Non-PCM data supported.
[1]	Float32	R	0x0	No support for Float32 data.
[0]	PCM	R	0x1	PCM-formatted data supported.

#### 6.11.5. SPDIFOut CnvtrID

Table 184. SPDIFOut CnvtrID Command Verb Format

	Verb ID	Payload	Response
Get	F06	00	See bitfield table.
Set1	706	See bits [7:0] of bitfield table.	0000_0000h

Table 185. SPDIFOut CnvtrID Command Response Format

Bit	Bitfield Name	RW	Reset	Description
[31.:8]	Rsvd	R	0x0	Reserved
[7.:4]	Strm	RW	0x0	Software-programmable integer representing link stream ID used by the converter widget. By convention stream 0 is reserved as unused.
[3.:0]	Ch	RW	0x0	Integer representing lowest channel used by converter

### 6.11.6. SPDIFOut DigCnvtr

Table 186. SPDIFOut DigCnvtr Command Verb Format

	Verb ID	Payload	Response
<b>Get</b>	F0D	00	See bitfield table.
<b>Set1</b>	70D	See bits [7:0] of bitfield table.	0000_0000h
<b>Set2</b>	70E	See bits [7:0] of bitfield table.	0000_0000h

Table 187. SPDIFOut DigCnvtr Command Response Format

Bit	Bitfield Name	RW	Reset	Description
[31..16]	Rsvd2	R	0x0	Reserved
[15]	Rsvd1	R	0x0	Rsvd
[14..8]	CC	RW	0x00	CC[6:0] - Category Code
[7]	L	RW	0x0	L - Generation Level
[6]	PRO	RW	0x0	PRO - Professional
[5]	AUDIO	RW	0x0	/AUDIO - Non-Audio
[4]	COPY	RW	0x0	COPY - Copyright
[3]	PRE	RW	0x0	PRE - Preemphasis
[2]	VCFG	RW	0x0	VCFG - Validity Config
[1]	V	RW	0x0	V - Validity
[0]	DigEn	RW	0x0	DigEn - Digital Enable

## 6.12. SPDIFIn Node (NID = 0x20)

### 6.12.1. SPDIFIn Cnvtr

Table 188. SPDIFIn Cnvtr Command Verb Format

	Verb ID	Payload	Response
<b>Get</b>	A	0000	See bitfield table.
<b>Set1</b>	2	See bits [15:0] of bitfield table.	0000_0000h

Table 189. SPDIFIn Cnvtr Command Response Format

Bit	Bitfield Name	RW	Reset	Description
[31..16]	Rsvd2	R	0x0	Reserved
[15]	FrmtNonPCM	RW	0x0	Stream Type 0= PCM 1= Non-PCM (remaining bits in this verb have other meanings)
[14]	FrmtSmplRate	RW	0x0	Sample Base Rate 0= 48 KHz 1= 44.1 KHz
[13..11]	SmplRateMultp	RW	0x0	Sample Base Rate Multiple 000= 48 KHz / 44.1 KHz or less 001= x2 010= Reserved (x3) 011= x4 100-111= Reserved
[10..8]	SmplRateDiv	RW	0x0	Sample Base Rate Divisor 000= Divide by 1 001= Divide by 2 010= Divide by 3 011= Divide by 4 100= Divide by 5 101= Divide by 6 110= Divide by 7 111= Divide by 8
[7]	Rsvd1	R	0x0	Reserved
[6..4]	BitsPerSmpl	RW	0x3	Bits per Sample 000= 8 bits 001= 16 bits 010= 20 bits 011= 24 bits 100-111= Reserved
[3..0]	NmbrChan	RW	0x1	Number of Channels Number of channels in each frame of the stream. 0000= 1 channel 0001 = 2 channels ... 1111= 16 channels

## 6.12.2. SPDIFIn WCap

Table 190. SPDIFIn WCap Command Verb Format

	Verb ID	Payload	Response
Get	F00	09	See bitfield table.

Table 191. SPDIFIn WCap Command Response Format

Bit	Bitfield Name	RW	Reset	Description
[31.:24]	Rsvd2	R	0x0	Reserved
[23.:20]	Type	R	0x1=Enabled 0xF=Disabled	Widget type = Audio Input
[19.:16]	Delay	R	0x4	Number of sample delays through widget
[15.:12]	Rsvd1	R	0x0	Reserved
[11]	SwapCap	R	0x0	No left/right channel swap capability
[10]	PwrCntrl	R	0x0	No support for Power State control
[9]	Dig	R	0x1	Widget supports a Digital stream
[8]	ConnList	R	0x1	Connection list is present
[7]	UnSolCap	R	0x0	Unsolicited Response is not supported
[6]	ProcWidget	R	0x0	No Processing Controls parameter
[5]	Stripe	R	0x0	No support for striping
[4]	FormatOvrd	R	0x1	Widget contains format info; software should query
[3]	AmpParOvrd	R	0x0	No amplifier info; use default amplifier parameters from Audio Function node instead
[2]	OutAmpPrsnt	R	0x0	No output amp
[1]	InAmpPrsnt	R	0x0	No input amp
[0]	Stereo	R	0x1	Stereo widget



## 6.12.3. SPDIFIn PCMCap

Table 192. SPDIFIn PCMCap Command Verb Format

	Verb ID	Payload	Response
Get	F00	0A	See bitfield table.

Table 193. SPDIFIn PCMCap Command Response Format

Bit	Bitfield Name	RW	Reset	Description
[31.:21]	Rsvd2	R	0x0	Reserved
[20]	B32	R	0x0	32 bit audio formats are NOT supported
[19]	B24	R	0x1	24 bit audio formats are supported
[18]	B20	R	0x1	20 bit audio formats are supported
[17]	B16	R	0x1	16 bit audio formats are supported
[16]	B8	R	0x0	8 bit audio formats are NOT supported
[15.:12]	Rsvd1	R	0x0	Reserved
[11]	R12	R	0x0	384 KHz rate (8/1*48 KHz) NOT supported
[10]	R11	R	0x0	192.0 KHz rate (4/1*48 KHz) NOT supported
[9]	R10	R	0x0	176.4 KHz rate (4/1*44.1 KHz) NOT supported
[8]	R9	R	0x1	96.0 KHz rate (2/1*48 KHz) supported
[7]	R8	R	0x0	88.2 KHz rate (2/1*44.1 KHz) NOT supported
[6]	R7	R	0x1	48.0 KHz rate supported (REQUIRED)
[5]	R6	R	0x1	44.1 KHz rate supported
[4]	R5	R	0x0	32.0 KHz rate (2/3*48 KHz) NOT supported
[3]	R4	R	0x0	22.05 KHz rate (1/2*44.1 KHz) NOT supported
[2]	R3	R	0x0	16.0 KHz rate (1/3*48 KHz) NOT supported
[1]	R2	R	0x0	11.025 KHz rate (1/4*44.0 KHz) NOT supported
[0]	R1	R	0x0	8.0 KHz rate (1/6*48 KHz) NOT supported

**6.12.4. SPDIFIn Stream****Table 194. SPDIFIn Stream Command Verb Format**

	Verb ID	Payload	Response
Get	F00	0B	See bitfield table.

**Table 195. SPDIFIn Stream Command Response Format**

Bit	Bitfield Name	RW	Reset	Description
[31.:3]	Rsvd	R	0x0	Reserved
[2]	NonPCM	R	0x1	Non-PCM data supported.
[1]	Float32	R	0x0	No support for Float32 data.
[0]	PCM	R	0x1	PCM-formatted data supported.

**6.12.5. SPDIFIn ConLst****Table 196. SPDIFIn ConLst Command Verb Format**

	Verb ID	Payload	Response
Get	F00	0E	See bitfield table.

**Table 197. SPDIFIn ConLst Command Response Format**

Bit	Bitfield Name	RW	Reset	Description
[31.:8]	Rsvd	R	0x0	Reserved.
[7]	LForm	R	0x0	Connection list uses short-form (7-bit) NID entries.
[6.:0]	ConL	R	0x01	Number of NID entries in connection list.

**6.12.6. SPDIFIn ConLstEntry****Table 198. SPDIFIn ConLstEntry Command Verb Format**

	Verb ID	Payload	Response
Get	F02	00	See bitfield table.

Table 199. SPDIFIn ConLstEntry Command Response Format

Bit	Bitfield Name	RW	Reset	Description
[31.:24]	ConL3	R	0x00	Unused list entry.
[23.:16]	ConL2	R	0x00	Unused list entry.
[15.:8]	ConL1	R	0x00	Unused list entry.
[7.:0]	ConL0	R	0x22	DigIn pin widget

### 6.12.7. SPDIFIn CnvtrID

Table 200. SPDIFIn CnvtrID Command Verb Format

	Verb ID	Payload	Response
<b>Get</b>	F06	00	See bitfield table.
<b>Set1</b>	706	See bits [7:0] of bitfield table.	0000_0000h

Table 201. SPDIFIn CnvtrID Command Response Format

Bit	Bitfield Name	RW	Reset	Description
[31.:8]	Rsvd	R	0x0	Reserved
[7.:4]	Strm	RW	0x0	Software-programmable integer representing link stream ID used by the converter widget. By convention stream 0 is reserved as unused.
[3.:0]	Ch	RW	0x0	Integer representing lowest channel used by converter

### 6.12.8. SPDIFIn DigCnvtr

Table 202. SPDIFIn DigCnvtr Command Verb Format

	Verb ID	Payload	Response
<b>Get</b>	F0D	00	See bitfield table.
<b>Set1</b>	70D	See bits [7:0] of bitfield table.	0000_0000h
<b>Set2</b>	70E	See bits [7:0] of bitfield table.	0000_0000h

Table 203. SPDIFIn DigCnvtr Command Response Format

Bit	Bitfield Name	RW	Reset	Description
[31..15]	Rsvd2	R	0x0	Reserved
[14..8]	CC	R	0x00	CC[6:0] - Category Code
[7]	L	R	0x0	L - Generation Level
[6]	PRO	R	0x0	PRO - Professional
[5]	AUDIO	R	0x0	/AUDIO - Non-Audio
[4]	COPY	R	0x0	COPY - Copyright
[3]	PRE	R	0x0	PRE - Preemphasis
[2]	Rsvd1	R	0x0	Reserved (VCFG bit applies only to output streams)
[1]	V	R	0x0	V - Validity
[0]	DigEn	RW	0x0	DigEn - Digital Enable

## 6.12.9. SPDIFIn VCSR0

Table 204. SPDIFIn VCSR0 Command Verb Format

	Verb ID	Payload	Response
<b>Get</b>	FE0	00	See bitfield table.
<b>Set1</b>	7E0	See bits [7:0] of bitfield table.	0000_0000h

Table 205. SPDIFIn VCSR0 Command Response Format

Bit	Bitfield Name	RW	Reset	Description
[31]	RcvSmpIRate	R	0x0	Recovered sample rate base 0= 48 KHz 1= 44.1 KHz
[30..28]	RcvRateMult	R	0x0	Recovered sample rate multiplier 000= 1X 001= 2X, all others reserved
[27..26]	Rsvd	R	0x0	Reserved

Table 205. SPDIFin VCSR0 Command Response Format

Bit	Bitfield Name	RW	Reset	Description
[25.:22]	OrigFS	R	0x0	Original sample rate (IEC spec).
[21.:20]	CA	R	0x0	Clock accuracy 00= Level II 01= Level I 10= Level III 11= Reserved
[19.:16]	FS	R	0x0	Sample Rate 0000= 44.1 KHz 0010= 48 KHz 0011= 32 KHz All other combinations are reserved and shall not be used until further defined (IEC spec).
[15.:12]	CN	R	0x0	Channel Number (audio channel) 0000= do not take into account 0001= A (left channel for stereo channel format) 0010= B (right channel for stereo channel format) 0011= C. 1111= O
[11.:9]	SmplWrdL	R	0x0	Sample Word Length [2:0] If MaxWrdL=1: 000= unspecified 001= 20 bits 010= 22 bits 011= reserved 100= 23 bits 101= 24 bits 110= 21 bits 111= reserved If MaxWrdL=0: 000= unspecified 001= 16 bits 010= 18 bits 011= reserved 100= 19 bits 101= 20 bits 110= 17 bits 111= reserved
[8]	MaxWrdL	R	0x0	Max Word Length 0= maximum audio sample word length is 20 bits 1= maximum audio sample word length is 24 bits

Table 205. SPDIFin VCSR0 Command Response Format

Bit	Bitfield Name	RW	Reset	Description
[7]	NOBLKCH	RW	0x0	0 = normal behavior 1 = disable block size checking for spdif_in.
[6]	VI	RW	0x0	0 = Respond to SPDIF_IN Valid tag 1 = Ignore SPDIF_IN valid tag
[5]	AMuteDis	RW	0x0	0= Auto mute when SPDIF stream marked non PCM 1= Auto Mute disabled.
[4..3]	SPL	RW	0x0	SPDIF_IN Parity Limit:Loss of DPLL Lock after 00 = 4 parity errors 01 = 3 parity errors 10 = 2 parity errors 11 = 1 parity errors NEW LOCATION -- was at Register 72h, Page 0, D13:12, moved as part of SPDIF In consolidation
[2]	SPRun	R	0x0	SPDIF IN Running 0= no signal on pin 47 1= signal on pin 47 NEW LOCATION -- was at Register 72h, Page 0, D2, moved as part of SPDIF In consolidation
[1]	SIPER	RW	0x0	SPDIF_IN PARITY ERROR. Set to clear. 'Overlaps SIPERSTAT'. Overlaps SIPERSTAT.
[0]	COPYINV	RW	0x0	Copyright invert bit.

## 6.13. PortA Node (NID = 0x0A)

### 6.13.1. PortA WCap

Table 206. PortA WCap Command Verb Format

	Verb ID	Payload	Response
Get	F00	09	See bitfield table.

Table 207. PortA WCap Command Response Format

Bit	Bitfield Name	RW	Reset	Description
[31..24]	Rsvd2	R	0x0	Reserved
[23..20]	Type	R	0x4	Widget type = Pin Complex
[19..16]	Delay	R	0x0	Number of sample delays through widget
[15..12]	Rsvd1	R	0x0	Reserved
[11]	SwapCap	R	0x0	No left/right channel swap capability
[10]	PwrCntrl	R	0x0	No support for Power State control
[9]	Dig	R	0x0	Widget supports an Analog stream
[8]	ConnList	R	0x1	Connection list is present
[7]	UnSolCap	R	0x1	Unsolicited Response is supported
[6]	ProcWidget	R	0x0	No Processing Controls parameter
[5]	Stripe	R	0x0	No support for striping
[4]	FormatOvrd	R	0x0	N/A for pin complex
[3]	AmpParOvrd	R	0x0	No amplifier info; use default amplifier parameters from Audio Function node instead
[2]	OutAmpPrsnt	R	0x0	No output amp
[1]	InAmpPrsnt	R	0x0	No input amp
[0]	Stereo	R	0x1	Stereo widget

### 6.13.2. PortA PinCap

Table 208. PortA PinCap Command Verb Format

	Verb ID	Payload	Response
Get	F00	0C	See bitfield table.

Table 209. PortA PinCap Command Response Format

Bit	Bitfield Name	RW	Reset	Description
[31.:17]	Rsvd2	R	0x0	Reserved
[16]	EapdCap	R	0x0	This widget does not control EAPD pin
[15.:8]	VrefCntrl	R	0x17	VRef generation is supported by this pin complex, and the following voltages can be produced on the associated VRef pin: 80% Avdd; 50% Avdd; GND; Hi-Z (required since pin complex is output capable)
[7]	Rsvd1	R	0x0	Reserved
[6]	BalancedIO	R	0x0	Pin complex does not have balanced pins.
[5]	InCap	R	0x1	Pin complex is input capable.
[4]	OutCap	R	0x1	Pin complex is output capable.
[3]	HdphDrvCap	R	0x1	Pin complex has headphone amplifier.
[2]	PresDtctCap	R	0x1	Pin complex can perform Presence Detect.
[1]	TrigRqd	R	0x1	Trigger is required for impedance measurement
[0]	ImpSenseCap	R	0x1	Pin complex supports impedance sense.

### 6.13.3. PortA ConLst

Table 210. PortA ConLst Command Verb Format

	Verb ID	Payload	Response
Get	F00	0E	See bitfield table.

Table 211. PortA ConLst Command Response Format

Bit	Bitfield Name	RW	Reset	Description
[31.:8]	Rsvd	R	0x0	Reserved



Table 211. PortA ConLst Command Response Format

Bit	Bitfield Name	RW	Reset	Description
[7]	LForm	R	0x0	Connection list uses short-form (7-bit) NID entries.
[6.:0]	ConL	R	0x03= Enabled 0x02=Disabled	Number of NID entries in connection list.

#### 6.13.4. PortA ConLstEntry

Table 212. PortA ConLstEntry Command Verb Format

	Verb ID	Payload	Response
<b>Get</b>	F02	00	See bitfield table.

Table 213. PortA ConLstEntry Command Response Format

Bit	Bitfield Name	RW	Reset	Description
[31.:24]	ConL3	R	0x00	Unused list entry.
[23.:16]	ConL2	R	0x06= Enabled 0x00= Disabled	DAC4 Converter widget
[15.:8]	ConL1	R	0x03	DAC1 Converter widget
[7.:0]	ConL0	R	0x02	DAC0 Converter widget

#### 6.13.5. PortA ConSelectCtrl

Table 214. PortA ConSelectCtrl Command Verb Format

	Verb ID	Payload	Response
<b>Get</b>	F01	00	See bitfield table.
<b>Set1</b>	701	See bits [7:0] of bitfield table.	0000_0000h

Table 215. PortA ConSelectCtrl Command Response Format

Bit	Bitfield Name	RW	Reset	Description
[31.:2]	Rsvd	R	0x0	Reserved
[1.:0]	Index	RW	0x0	Connection select control index.

### 6.13.6. PortA PinWCntrl

Table 216. PortA PinWCntrl Command Verb Format

	Verb ID	Payload	Response
<b>Get</b>	F07	00	See bitfield table.
<b>Set1</b>	707	See bits [7:0] of bitfield table.	0000_0000h

Table 217. PortA PinWCntrl Command Response Format

Bit	Bitfield Name	RW	Reset	Description
[31.:8]	Rsvd2	R	0x0	Reserved
[7]	HPhnEn	RW	0x0	1= enable the low impedance amplifier associated with the output.
[6]	OutEn	RW	0x0	1= (CODEC) output path of Pin Widget is enabled
[5]	InEn	RW	0x0	1= (CODEC) input path of Pin Widget is enabled
[4.:3]	Rsvd1	R	0x0	Reserved
[2.:0]	VRefEn	RW	0x0	VRefEn: Selects one of the possible states for the VRef signal associated with the Pin Widget. If the value written to this control does not correspond to a supported value defined in the VRefCntrl field of the Pin Capabilities parameter (0C), then this control will take the value of 000b (Hi-Z).

### 6.13.7. PortA UnsolResp

Table 218. PortA UnsolResp Command Verb Format

	Verb ID	Payload	Response
<b>Get</b>	F08	00	See bitfield table.
<b>Set1</b>	708	See bits [7:0] of bitfield table.	0000_0000h

Table 219. PortA UnsolResp Command Response Format

Bit	Bitfield Name	RW	Reset	Description
[31..8]	Rsvd2	R	0x00	Reserved
[7]	En	RW	0x0	Allow generation of Unsolicited Responses. Unsolicited response events occur upon jack-insertion OR completion of a Jack-Sense cycle.
[6]	Rsvd1	R	0x0	Reserved
[5..0]	Tag	RW	0x00	Software programmable field returned in top six bits (31:26) of every Unsolicited Response generated by this node.

### 6.13.8. PortA ChSense

Table 220. PortA ChSense Command Verb Format

	Verb ID	Payload	Response
<b>Get</b>	F09	00	See bitfield table.
<b>Set1</b>	709	See bits [7:0] of bitfield table.	0000_0000h
<b>Set2</b>	709	See bits [7:0] of bitfield table.	0000_0000h

Table 221. PortA ChSense Command Response Format

Bit	Bitfield Name	RW	Reset	Description
[31]	PresDtct	R	0x0	1= something is plugged into jack associated with Pin Complex.
[30..0]	Impedance	R	0x7FFF_FFFF	Measured impedance of the widget. A value of all 1's indicates that a valid sense reading is not available, or the sense measurement is busy if it has been recently triggered.
[0]	RightCh	W	0x0	Set 1= perform impedance sensing on right channel or ring of the connector
[0]	LeftCh	W	0x0	Set 0= perform impedance sensing on left channel or tip of the connector

### 6.13.9. PortA ConfigDefault

Table 222. PortA ConfigDefault Command Verb Format

	Verb ID	Payload	Response
<b>Get</b>	F1C	00	See bitfield table.
<b>Set1</b>	71C	See bits [7:0] of bitfield table.	0000_0000h
<b>Set2</b>	71D	See bits [7:0] of bitfield table.	0000_0000h
<b>Set3</b>	71E	See bits [7:0] of bitfield table.	0000_0000h
<b>Set4</b>	71F	See bits [7:0] of bitfield table.	0000_0000h

Table 223. PortA ConfigDefault Command Response Format

Bit	Bitfield Name	RW	Reset	Description
[31.:24]	Config4	RW	0x02	Port Connectivity= Jack; Location= Mainboard front.
[23.:16]	Config3	RW	0x21	Default Device= HP Out; Connection Type= 1/8 inch jack.
[15.:8]	Config2	RW	0x40	Color= Green; Misc= No jack detect override.
[7.:0]	Config1	RW	0x20	Association= 2h; Sequence= 0h.

## 6.14. PortB Node (NID = 0x0B)

### 6.14.1. PortB WCap

Table 224. PortB WCap Command Verb Format

	Verb ID	Payload	Response
<b>Get</b>	F00	09	See bitfield table.

Table 225. PortB WCap Command Response Format

Bit	Bitfield Name	RW	Reset	Description
[31..24]	Rsvd2	R	0x0	Reserved
[23..20]	Type	R	0x4	Widget type = Pin Complex
[19..16]	Delay	R	0x0	Number of sample delays through widget
[15..12]	Rsvd1	R	0x0	Reserved
[11]	SwapCap	R	0x0	No left/right channel swap capability
[10]	PwrCntrl	R	0x0	No support for Power State control
[9]	Dig	R	0x0	Widget supports an Analog stream
[8]	ConnList	R	0x1	Connection list is present
[7]	UnSolCap	R	0x1	Unsolicited Response is supported
[6]	ProcWidget	R	0x0	No Processing Controls parameter
[5]	Stripe	R	0x0	No support for striping
[4]	FormatOvrd	R	0x0	N/A for pin complex
[3]	AmpParOvrd	R	0x0	No amplifier info; use default amplifier parameters from Audio Function node instead
[2]	OutAmpPrsnt	R	0x0	No output amp
[1]	InAmpPrsnt	R	0x0	No input amp
[0]	Stereo	R	0x1	Stereo widget

### 6.14.2. PortB PinCap

Table 226. PortB PinCap Command Verb Format

	Verb ID	Payload	Response
Get	F00	0C	See bitfield table.

Table 227. PortB PinCap Command Response Format

Bit	Bitfield Name	RW	Reset	Description
[31.:17]	Rsvd2	R	0x0	Reserved
[16]	EapdCap	R	0x0	This widget does not control EAPD pin
[15.:8]	VrefCntrl	R	0x17	VRef generation is supported by this pin complex, and the following voltages can be produced on the associated VRef pin: 80% Avdd; 50%Avdd; GND; Hi-Z (required since pin complex is output capable)
[7]	Rsvd1	R	0x0	Reserved
[6]	BalancedIO	R	0x0	Pin complex does not have balanced pins.
[5]	InCap	R	0x1	Pin complex is input capable.
[4]	OutCap	R	0x1	Pin complex is output capable.
[3]	HdphDrvCap	R	0x1	Pin has a headphone amplifier.
[2]	PresDtctCap	R	0x1	Pin complex can perform Presence Detect.
[1]	TrigRqd	R	0x1	Trigger is required for impedance measurement
[0]	ImpSenseCap	R	0x1	Pin complex supports impedance sense.

### 6.14.3. PortB ConLst

Table 228. PortB ConLst Command Verb Format

	Verb ID	Payload	Response
Get	F00	0E	See bitfield table.

Table 229. PortB ConLst Command Response Format

Bit	Bitfield Name	RW	Reset	Description
[31.:8]	Rsvd	R	0x0	Reserved

Table 229. PortB ConLst Command Response Format

Bit	Bitfield Name	RW	Reset	Description
[7]	LForm	R	0x0	Connection list uses short-form (7-bit) NID entries.
[6..0]	ConL	R	0x03= Enabled DAC4 0x02= Disabled DAC4	Number of NID entries in connection list.

#### 6.14.4. PortB ConLstEntry

Table 230. PortB ConLstEntry Command Verb Format

	Verb ID	Payload	Response
Get	F02	00	See bitfield table.

Table 231. PortB ConLstEntry Command Response Format

Bit	Bitfield Name	RW	Reset	Description
[31..24]	ConL3	R	0x00	Unused list entry.
[23..16]	ConL2	R	0x06= Enabled 0x00= Disabled	DAC4 Converter widget
[15..8]	ConL1	R	0x03	DAC1 Converter widget
[7..0]	ConL0	R	0x02	DAC0 Converter widget

#### 6.14.5. PortB ConSelectCtrl

Table 232. PortB ConSelectCtrl Command Verb Format

	Verb ID	Payload	Response
Get	F01	00	See bitfield table.
Set1	701	See bits [7:0] of bitfield table.	0000_0000h

Table 233. PortB ConSelectCtrl Command Response Format

Bit	Bitfield Name	RW	Reset	Description
[31..2]	Rsvd	R	0x0	Reserved
[1..0]	Index	RW	0x0	Connection select control index.

6.14.6. *PortB PinWCntrl*

Table 234. PortB PinWCntrl Command Verb Format

	Verb ID	Payload	Response
<b>Get</b>	F07	00	See bitfield table.
<b>Set1</b>	707	See bits [7:0] of bitfield table.	0000_0000h

Table 235. PortB PinWCntrl Command Response Format

Bit	Bitfield Name	RW	Reset	Description
[31.:8]	Rsvd2	R	0x0	Reserved
[7]	HPhnEn	RW	0x0	1= enable the low impedance amplifier associated with the output.
[6]	OutEn	RW	0x0	1= (CODEC) output path of Pin Widget is enabled
[5]	InEn	RW	0x0	1= (CODEC) input path of Pin Widget is enabled
[4.:3]	Rsvd1	R	0x0	Reserved
[2.:0]	VRefEn	RW	0x0	VRefEn: Selects one of the possible states for the VRef signal associated with the Pin Widget. If the value written to this control does not correspond to a supported value defined in the VRefCntrl field of the Pin Capabilities parameter (0C), then this control will take the value of 000b (Hi-Z).

6.14.7. *PortB UnsolResp*

Table 236. PortB UnsolResp Command Verb Format

	Verb ID	Payload	Response
<b>Get</b>	F08	00	See bitfield table.
<b>Set1</b>	708	See bits [7:0] of bitfield table.	0000_0000h



Table 237. PortB UnsolResp Command Response Format

Bit	Bitfield Name	RW	Reset	Description
[31..8]	Rsvd2	R	0x00	Reserved
[7]	En	RW	0x0	Allow generation of Unsolicited Responses. Unsolicited response events occur upon jack-insertion OR completion of a Jack-Sense cycle.
[6]	Rsvd1	R	0x0	Reserved
[5..0]	Tag	RW	0x00	Software programmable field returned in top six bits (31:26) of every Unsolicited Response generated by this node.

#### 6.14.8. PortB ChSense

Table 238. PortB ChSense Command Verb Format

	Verb ID	Payload	Response
<b>Get</b>	F09	00	See bitfield table.
<b>Set1</b>	709	See bits [7:0] of bitfield table.	0000_0000h
<b>Set2</b>	709	See bits [7:0] of bitfield table.	0000_0000h

Table 239. PortB ChSense Command Response Format

Bit	Bitfield Name	RW	Reset	Description
[31]	PresDtct	R	0x0	1= something is plugged into jack associated with Pin Complex.
[30..0]	Impedance	R	0x7FFF_FFFF	Measured impedance of the widget. A value of all 1's indicates that a valid sense reading is not available, or the sense measurement is busy if it has been recently triggered.
[0]	RightCh	W	0x0	Set 1= perform impedance sensing on right channel or ring of the connector
[0]	LeftCh	W	0x0	Set 0= perform impedance sensing on left channel or tip of the connector

### 6.14.9. PortB ConfigDefault

Table 240. PortB ConfigDefault Command Verb Format

	Verb ID	Payload	Response
<b>Get</b>	F1C	00	See bitfield table.
<b>Set1</b>	71C	See bits [7:0] of bitfield table.	0000_0000h
<b>Set2</b>	71D	See bits [7:0] of bitfield table.	0000_0000h
<b>Set3</b>	71E	See bits [7:0] of bitfield table.	0000_0000h
<b>Set4</b>	71F	See bits [7:0] of bitfield table.	0000_0000h

Table 241. PortB ConfigDefault Command Response Format

Bit	Bitfield Name	RW	Reset	Description
[31.:24]	Config4	RW	0x02	Port Connectivity= Jack; Location= Mainboard front.
[23.:16]	Config3	RW	0xA1	Default Device= Mic In; Connection Type= 1/8 inch jack.
[15.:8]	Config2	RW	0x90	Color= Pink; Misc= No jack detect override.
[7.:0]	Config1	RW	0x80	Association= 8h; Sequence= 0h.

## 6.15. PortC Node (NID = 0x0C)

### 6.15.1. PortC WCap

Table 242. PortC WCap Command Verb Format

	Verb ID	Payload	Response
<b>Get</b>	F00	09	See bitfield table.

Table 243. PortC WCap Command Response Format

Bit	Bitfield Name	RW	Reset	Description
[31..24]	Rsvd2	R	0x0	Reserved
[23..20]	Type	R	0x4	Widget type = Pin Complex
[19..16]	Delay	R	0x0	Number of sample delays through widget
[15..12]	Rsvd1	R	0x0	Reserved
[11]	SwapCap	R	0x0	No left/right channel swap capability
[10]	PwrCntrl	R	0x0	No support for Power State control
[9]	Dig	R	0x0	Widget supports an Analog stream
[8]	ConnList	R	0x1	Connection list is present
[7]	UnSolCap	R	0x1	Unsolicited Response is supported
[6]	ProcWidget	R	0x0	No Processing Controls parameter
[5]	Stripe	R	0x0	No support for striping
[4]	FormatOvrd	R	0x0	N/A for pin complex
[3]	AmpParOvrd	R	0x0	No amplifier info; use default amplifier parameters from Audio Function node instead
[2]	OutAmpPrsnt	R	0x0	No output amp
[1]	InAmpPrsnt	R	0x0	No input amp
[0]	Stereo	R	0x1	Stereo widget

### 6.15.2. PortC PinCap

Table 244. PortC PinCap Command Verb Format

	Verb ID	Payload	Response
Get	F00	0C	See bitfield table.

Table 245. PortC PinCap Command Response Format

Bit	Bitfield Name	RW	Reset	Description
[31..17]	Rsvd2	R	0x0	Reserved
[16]	EapdCap	R	0x0	This widget does not control EAPD pin
[15..8]	VrefCntrl	R	0x17	VRef generation is supported by this pin complex, and the following voltages can be produced on the associated VRef pin: 80% Avdd; 50% Avdd; GND; Hi-Z (required since pin complex is output capable)
[7]	Rsvd1	R	0x0	Reserved
[6]	BalancedIO	R	0x0	Pin complex does not have balanced pins.
[5]	InCap	R	0x1	Pin complex is input capable.
[4]	OutCap	R	0x1	Pin complex is output capable.
[3]	HdphDrvCap	R	0x0	Pin does not have a headphone amplifier.
[2]	PresDtctCap	R	0x1	Pin complex can perform Presence Detect.
[1]	TrigRqd	R	0x1	Trigger is required for impedance measurement
[0]	ImpSenseCap	R	0x1	Pin complex supports impedance sense.

### 6.15.3. PortC ConLst

Table 246. PortC ConLst Command Verb Format

	Verb ID	Payload	Response
Get	F00	0E	See bitfield table.

Table 247. PortC ConLst Command Response Format

Bit	Bitfield Name	RW	Reset	Description
[31..8]	Rsvd	R	0x0	Reserved
[7]	LForm	R	0x0	Connection list uses short-form (7-bit) NID entries.
[6..0]	ConL	R	0x01	Number of NID entries in connection list.

#### 6.15.4. PortC ConLstEntry

Table 248. PortC ConLstEntry Command Verb Format

	Verb ID	Payload	Response
Get	F02	00	See bitfield table.

Table 249. PortC ConLstEntry Command Response Format

Bit	Bitfield Name	RW	Reset	Description
[31.:24]	ConL3	R	0x00	Unused list entry.
[23.:16]	ConL2	R	0x00	Unused list entry.
[15.:8]	ConL1	R	0x00	Unused list entry.
[7.:0]	ConL0	R	0x03	DAC1 Converter widget

#### 6.15.5. PortC PinWCntrl

Table 250. PortC PinWCntrl Command Verb Format

	Verb ID	Payload	Response
Get	F07	00	See bitfield table.
Set1	707	See bits [7:0] of bitfield table.	0000_0000h

Table 251. PortC PinWCntrl Command Response Format

Bit	Bitfield Name	RW	Reset	Description
[31.:7]	Rsvd2	R	0x0	Reserved
[6]	OutEn	RW	0x0	1= (CODEC) output path of Pin Widget is enabled
[5]	InEn	RW	0x0	1= (CODEC) input path of Pin Widget is enabled
[4.:3]	Rsvd1	R	0x0	Reserved
[2.:0]	VRefEn	RW	0x0	VRefEn: Selects one of the possible states for the VRef signal associated with the Pin Widget. If the value written to this control does not correspond to a supported value defined in the VRefCntrl field of the Pin Capabilities parameter (0C), then this control will take the value of 000b (Hi-Z).

### 6.15.6. PortC Unsolicited Response

Table 252. PortC Unsolicited Response Command Verb Format

	Verb ID	Payload	Response
<b>Get</b>	F08	00	See bitfield table.
<b>Set1</b>	708	See bits [7:0] of bitfield table.	0000_0000h

Table 253. PortC Unsolicited Response Command Response Format

Bit	Bitfield Name	RW	Reset	Description
[31.:8]	Rsvd2	R	0x00	Reserved
[7]	En	RW	0x0	Allow generation of Unsolicited Responses. Unsolicited response events occur upon jack-insertion OR completion of a Jack-Sense cycle.
[6]	Rsvd1	R	0x0	Reserved
[5.:0]	Tag	RW	0x00	Software programmable field returned in top six bits (31:26) of every Unsolicited Response generated by this node.

### 6.15.7. PortC ChSense

Table 254. PortC ChSense Command Verb Format

	Verb ID	Payload	Response
<b>Get</b>	F09	00	See bitfield table.
<b>Set1</b>	709	See bits [7:0] of bitfield table.	0000_0000h
<b>Set2</b>	709	See bits [7:0] of bitfield table.	0000_0000h

Table 255. PortC ChSense Command Response Format

Bit	Bitfield Name	RW	Reset	Description
[31]	PresDtct	R	0x0	1= something is plugged into jack associated with Pin Complex.
[30.:0]	Impedance	R	0x7FFF_FFFF	Measured impedance of the widget. A value of all 1's indicates that a valid sense reading is not available, or the sense measurement is busy if it has been recently triggered.

Table 255. PortC ChSense Command Response Format

Bit	Bitfield Name	RW	Reset	Description
[0]	RightCh	W	0x0	Set 1= perform impedance sensing on right channel or ring of the connector
[0]	LeftCh	W	0x0	Set 0= perform impedance sensing on left channel or tip of the connector

### 6.15.8. PortC ConfigDefault

Table 256. PortC ConfigDefault Command Verb Format

	Verb ID	Payload	Response
<b>Get</b>	F1C	00	See bitfield table.
<b>Set1</b>	71C	See bits [7:0] of bitfield table.	0000_0000h
<b>Set2</b>	71D	See bits [7:0] of bitfield table.	0000_0000h
<b>Set3</b>	71E	See bits [7:0] of bitfield table.	0000_0000h
<b>Set4</b>	71F	See bits [7:0] of bitfield table.	0000_0000h

Table 257. PortC ConfigDefault Command Response Format

Bit	Bitfield Name	RW	Reset	Description
[31.:24]	Config4	RW	0x01	Port Connectivity= Jack; Location= Mainboard rear.
[23.:16]	Config3	RW	0x81	Default Device= Line In; Connection Type= 1/8 inch jack.
[15.:8]	Config2	RW	0x30	Color= Blue; Misc= No jack detect override.
[7.:0]	Config1	RW	0x4E	Association= 4h; Sequene= Eh.

## 6.16. PortD Node (NID = 0x0D)

### 6.16.1. PortD WCap

Table 258. PortD WCap Command Verb Format

	Verb ID	Payload	Response
Get	F00	09	See bitfield table.

Table 259. PortD WCap Command Response Format

Bit	Bitfield Name	RW	Reset	Description
[31.:24]	Rsvd2	R	0x0	Reserved
[23.:20]	Type	R	0x4	Widget type = Pin Complex
[19.:16]	Delay	R	0x0	Number of sample delays through widget
[15.:12]	Rsvd1	R	0x0	Reserved
[11]	SwapCap	R	0x0	No left/right channel swap capability
[10]	PwrCntrl	R	0x0	No support for Power State control
[9]	Dig	R	0x0	Widget supports an Analog stream
[8]	ConnList	R	0x1	Connection list is present
[7]	UnSolCap	R	0x1	Unsolicited Response is supported
[6]	ProcWidget	R	0x0	No Processing Controls parameter
[5]	Stripe	R	0x0	No support for striping
[4]	FormatOvrd	R	0x0	N/A for pin complex
[3]	AmpParOvrd	R	0x0	No amplifier info; use default amplifier parameters from Audio Function node instead
[2]	OutAmpPrsnt	R	0x0	No output amp
[1]	InAmpPrsnt	R	0x0	No input amp
[0]	Stereo	R	0x1	Stereo widget



### 6.16.2. PortD PinCap

Table 260. PortD PinCap Command Verb Format

	Verb ID	Payload	Response
Get	F00	0C	See bitfield table.

Table 261. PortD PinCap Command Response Format

Bit	Bitfield Name	RW	Reset	Description
[31..17]	Rsvd2	R	0x0	Reserved
[16]	EapdCap	R	0x0	This widget does not control EAPD pin
[15..8]	VrefCntrl	R	0x17	VRef generation is supported by this pin complex, and the following voltages can be produced on the associated VRef pin: 80% Avdd; 50% Avdd; GND; Hi-Z (required since pin complex is output capable)
[7]	Rsvd1	R	0x0	Reserved
[6]	BalancedIO	R	0x0	Pin complex does not have balanced pins.
[5]	InCap	R	0x1	Pin complex is input capable.
[4]	OutCap	R	0x1	Pin complex is output capable.
[3]	HdphDrvCap	R	0x1	Pin complex has headphone amplifier.
[2]	PresDtctCap	R	0x1	Pin complex can perform Presence Detect.
[1]	TrigRqd	R	0x1	Trigger is required for impedance measurement
[0]	ImpSenseCap	R	0x1	Pin complex supports impedance sense.

### 6.16.3. PortD ConLst

Table 262. PortD ConLst Command Verb Format

	Verb ID	Payload	Response
Get	F00	0E	See bitfield table.

Table 263. PortD ConLst Command Response Format

Bit	Bitfield Name	RW	Reset	Description
[31..8]	Rsvd	R	0x0	Reserved
[7]	LForm	R	0x0	Connection list uses short-form (7-bit) NID entries.
[6..0]	ConL	R	0x01	Number of NID entries in connection list.

#### 6.16.4. PortD ConLstEntry

Table 264. PortD ConLstEntry Command Verb Format

	Verb ID	Payload	Response
Get	F02	00	See bitfield table.

Table 265. PortD ConLstEntry Command Response Format

Bit	Bitfield Name	RW	Reset	Description
[31..24]	ConL3	R	0x00	Unused list entry.
[23..16]	ConL2	R	0x00	Unused list entry.
[15..8]	ConL1	R	0x00	Unused list entry.
[7..0]	ConL0	R	0x02	DAC0 Converter widget

#### 6.16.5. PortD PinWCntrl

Table 266. PortD PinWCntrl Command Verb Format

	Verb ID	Payload	Response
Get	F07	00	See bitfield table.
Set1	707	See bits [7:0] of bitfield table.	0000_0000h

Table 267. PortD PinWCntrl Command Response Format

Bit	Bitfield Name	RW	Reset	Description
[31..8]	Rsvd2	R	0x0	Reserved
[7]	HPhnEn	RW	0x0	1= enable the low impedance amplifier associated with the output.
[6]	OutEn	RW	0x0	1= (CODEC) output path of Pin Widget is enabled
[5]	InEn	RW	0x0	1= (CODEC) input path of Pin Widget is enabled
[4..3]	Rsvd1	R	0x0	Reserved
[2..0]	VRefEn	RW	0x0	VRefEn: Selects one of the possible states for the VRef signal associated with the Pin Widget. If the value written to this control does not correspond to a supported value defined in the VRefCntrl field of the Pin Capabilities parameter (0C), then this control will take the value of 000b (Hi-Z).

#### 6.16.6. PortD UnsolResp

Table 268. PortD UnsolResp Command Verb Format

	Verb ID	Payload	Response
<b>Get</b>	F08	00	See bitfield table.
<b>Set1</b>	708	See bits [7:0] of bitfield table.	0000_0000h

Table 269. PortD UnsolResp Command Response Format

Bit	Bitfield Name	RW	Reset	Description
[31..8]	Rsvd2	R	0x00	Reserved
[7]	En	RW	0x0	Allow generation of Unsolicited Responses. Unsolicited response events occur upon jack-insertion OR completion of a Jack-Sense cycle.
[6]	Rsvd1	R	0x0	Reserved
[5..0]	Tag	RW	0x00	Software programmable field returned in top six bits (31:26) of every Unsolicited Response generated by this node.

### 6.16.7. PortD ChSense

Table 270. PortD ChSense Command Verb Format

	Verb ID	Payload	Response
<b>Get</b>	F09	00	See bitfield table.
<b>Set1</b>	709	See bits [7:0] of bitfield table.	0000_0000h
<b>Set2</b>	709	See bits [7:0] of bitfield table.	0000_0000h

Table 271. PortD ChSense Command Response Format

Bit	Bitfield Name	RW	Reset	Description
[31]	PresDtct	R	0x0	1= something is plugged into jack associated with Pin Complex.
[30.:0]	Impedance	R	0x7FFF_FFFF	Measured impedance of the widget. A value of all 1's indicates that a valid sense reading is not available, or the sense measurement is busy if it has been recently triggered.
[0]	RightCh	W	0x0	Set 1= perform impedance sensing on right channel or ring of the connector
[0]	LeftCh	W	0x0	Set 0= perform impedance sensing on left channel or tip of the connector

### 6.16.8. PortD ConfigDefault

Table 272. PortD ConfigDefault Command Verb Format

	Verb ID	Payload	Response
<b>Get</b>	F1C	00	See bitfield table.
<b>Set1</b>	71C	See bits [7:0] of bitfield table.	0000_0000h
<b>Set2</b>	71D	See bits [7:0] of bitfield table.	0000_0000h
<b>Set3</b>	71E	See bits [7:0] of bitfield table.	0000_0000h
<b>Set4</b>	71F	See bits [7:0] of bitfield table.	0000_0000h

Table 273. PortD ConfigDefault Command Response Format

Bit	Bitfield Name	RW	Reset	Description
[31.:24]	Config4	RW	0x01	Port Connectivity= Jack; Location= Mainboard rear.
[23.:16]	Config3	RW	0x01	Default Device= Line Out; Connection Type= 1/8 inch jack.
[15.:8]	Config2	RW	0x40	Color= Green; Misc= No jack detect override.
[7.:0]	Config1	RW	0x10	Association= 1h; Sequence= 0h.

## 6.17. PortE Node (NID = 0x0E)

### 6.17.1. PortE WCap

Table 274. PortE WCap Command Verb Format

	Verb ID	Payload	Response
Get	F00	09	See bitfield table.

Table 275. PortE WCap Command Response Format

Bit	Bitfield Name	RW	Reset	Description
[31.:24]	Rsvd2	R	0x0	Reserved
[23.:20]	Type	R	0x4	Widget type = Pin Complex
[19.:16]	Delay	R	0x0	Number of sample delays through widget
[15.:12]	Rsvd1	R	0x0	Reserved
[11]	SwapCap	R	0x0	No left/right channel swap capability
[10]	PwrCntrl	R	0x0	No support for Power State control
[9]	Dig	R	0x0	Widget supports an Analog stream
[8]	ConnList	R	0x1	Connection list is present
[7]	UnSolCap	R	0x1	Unsolicited Response is supported

Table 275. PortE WCap Command Response Format

Bit	Bitfield Name	RW	Reset	Description
[6]	ProcWidget	R	0x0	No Processing Controls parameter
[5]	Stripe	R	0x0	No support for striping
[4]	FormatOvrd	R	0x0	N/A for pin complex
[3]	AmpParOvrd	R	0x0	No amplifier info; use default amplifier parameters from Audio Function node instead
[2]	OutAmpPrsnt	R	0x0	No output amp
[1]	InAmpPrsnt	R	0x0	No input amp
[0]	Stereo	R	0x1	Stereo widget

### 6.17.2. PortE PinCap

Table 276. PortE PinCap Command Verb Format

	Verb ID	Payload	Response
Get	F00	0C	See bitfield table.

Table 277. PortE PinCap Command Response Format

Bit	Bitfield Name	RW	Reset	Description
[31.:17]	Rsvd2	R	0x0	Reserved
[16]	EapdCap	R	0x0	This widget does not control EAPD pin
[15.:8]	VrefCntrl	R	0x17	VRef generation is supported by this pin complex, and the following voltages can be produced on the associated VRef pin: 80% Avdd; 50% Avdd; GND; Hi-Z (required since pin complex is output capable)
[7]	Rsvd1	R	0x0	Reserved
[6]	BalancedIO	R	0x0	Pin complex does not have balanced pins.
[5]	InCap	R	0x1	Pin complex is input capable.
[4]	OutCap	R	0x1	Pin complex is output capable.
[3]	HdphDrvCap	R	0x0	Pin does not have a headphone amplifier.

Table 277. PortE PinCap Command Response Format

Bit	Bitfield Name	RW	Reset	Description
[2]	PresDtctCap	R	0x1	Pin complex can perform Presence Detect.
[1]	TrigRqd	R	0x1	Trigger is required for impedance measurement
[0]	ImpSenseCap	R	0x1	Pin complex supports impedance sense.

### 6.17.3. PortE ConLst

Table 278. PortE ConLst Command Verb Format

	Verb ID	Payload	Response
Get	F00	0E	See bitfield table.

Table 279. PortE ConLst Command Response Format

Bit	Bitfield Name	RW	Reset	Description
[31.:8]	Rsvd	R	0x0	Reserved
[7]	LForm	R	0x0	Connection list uses short-form (7-bit) NID entries.
[6.:0]	ConL	R	0x01	Number of NID entries in connection list.

### 6.17.4. PortE ConLstEntry

Table 280. PortE ConLstEntry Command Verb Format

	Verb ID	Payload	Response
Get	F02	00	See bitfield table.

Table 281. PortE ConLstEntry Command Response Format

Bit	Bitfield Name	RW	Reset	Description
[31.:24]	ConL3	R	0x00	Unused list entry.
[23.:16]	ConL2	R	0x00	Unused list entry.
[15.:8]	ConL1	R	0x00	Unused list entry.
[7.:0]	ConL0	R	0x04	DAC2 Converter widget

### 6.17.5. PortE PinWCntrl

Table 282. PortE PinWCntrl Command Verb Format

	Verb ID	Payload	Response
Get	F07	00	See bitfield table.
Set1	707	See bits [7:0] of bitfield table.	0000_0000h

Table 283. PortE PinWCntrl Command Response Format

Bit	Bitfield Name	RW	Reset	Description
[31.:7]	Rsvd2	R	0x0	Reserved
[6]	OutEn	RW	0x0	1= (CODEC) output path of Pin Widget is enabled
[5]	InEn	RW	0x0	1= (CODEC) input path of Pin Widget is enabled
[4.:3]	Rsvd1	R	0x0	Reserved
[2.:0]	VRefEn	RW	0x0	VRefEn: Selects one of the possible states for the VRef signal associated with the Pin Widget. If the value written to this control does not correspond to a supported value defined in the VRefCntrl field of the Pin Capabilities parameter (0C), then this control will take the value of 000b (Hi-Z).

### 6.17.6. PortE UnsolResp

Table 284. PortE UnsolResp Command Verb Format

	Verb ID	Payload	Response
Get	F08	00	See bitfield table.
Set1	708	See bits [7:0] of bitfield table.	0000_0000h

Table 285. PortE UnsolResp Command Response Format

Bit	Bitfield Name	RW	Reset	Description
[31.:8]	Rsvd2	R	0x00	Reserved
[7]	En	RW	0x0	Allow generation of Unsolicited Responses. Unsolicited response events occur upon jack-insertion OR completion of a Jack-Sense cycle.



Table 285. PortE UnsolResp Command Response Format

Bit	Bitfield Name	RW	Reset	Description
[6]	Rsvd1	R	0x0	Reserved
[5.:0]	Tag	RW	0x00	Software programmable field returned in top six bits (31:26) of every Unsolicited Response generated by this node.

### 6.17.7. PortE ChSense

Table 286. PortE ChSense Command Verb Format

	Verb ID	Payload	Response
<b>Get</b>	F09	00	See bitfield table.
<b>Set1</b>	709	See bits [7:0] of bitfield table.	0000_0000h
<b>Set2</b>	709	See bits [7:0] of bitfield table.	0000_0000h

Table 287. PortE ChSense Command Response Format

Bit	Bitfield Name	RW	Reset	Description
[31]	PresDtct	R	0x0	1= something is plugged into jack associated with Pin Complex.
[30.:0]	Impedance	R	0x7FFF_FFFF	Measured impedance of the widget. A value of all 1's indicates that a valid sense reading is not available, or the sense measurement is busy if it has been recently triggered.
[0]	RightCh	W	0x0	Set 1= perform impedance sensing on right channel or ring of the connector
[0]	LeftCh	W	0x0	Set 0= perform impedance sensing on left channel or tip of the connector

### 6.17.8. PortE ConfigDefault

Table 288. PortE ConfigDefault Command Verb Format

	Verb ID	Payload	Response
<b>Get</b>	F1C	00	See bitfield table.
<b>Set1</b>	71C	See bits [7:0] of bitfield table.	0000_0000h

Table 288. PortE ConfigDefault Command Verb Format

	Verb ID	Payload	Response
<b>Set2</b>	71D	See bits [7:0] of bitfield table.	0000_0000h
<b>Set3</b>	71E	See bits [7:0] of bitfield table.	0000_0000h
<b>Set4</b>	71F	See bits [7:0] of bitfield table.	0000_0000h

Table 289. PortE ConfigDefault Command Response Format

Bit	Bitfield Name	RW	Reset	Description
[31.:24]	Config4	RW	0x01	Port Connectivity= Jack; Location= Mainboard rear.
[23.:16]	Config3	RW	0xA1	Default Device= Mic In; Connection Type= 1/8 inch jack.
[15.:8]	Config2	RW	0x90	Color= Pink; Misc= No jack detect override.
[7.:0]	Config1	RW	0x40	Association= 4h; Sequence= 0h.

## 6.18. PortF Node (NID = 0x0F)

### 6.18.1. PortF WCap

Table 290. PortF WCap Command Verb Format

	Verb ID	Payload	Response
<b>Get</b>	F00	09	See bitfield table.

Table 291. PortF WCap Command Response Format

Bit	Bitfield Name	RW	Reset	Description
[31.:24]	Rsvd2	R	0x0	Reserved
[23.:20]	Type	R	0x4	Widget type = Pin Complex
[19.:16]	Delay	R	0x0	Number of sample delays through widget
[15.:12]	Rsvd1	R	0x0	Reserved

Table 291. PortF WCap Command Response Format

Bit	Bitfield Name	RW	Reset	Description
[11]	SwapCap	R	0x0	No left/right channel swap capability
[10]	PwrCntrl	R	0x0	No support for Power State control
[9]	Dig	R	0x0	Widget supports an Analog stream
[8]	ConnList	R	0x1	Connection list is present
[7]	UnSolCap	R	0x1	Unsolicited Response is supported
[6]	ProcWidget	R	0x0	No Processing Controls parameter
[5]	Stripe	R	0x0	No support for striping
[4]	FormatOvrd	R	0x0	N/A for pin complex
[3]	AmpParOvrd	R	0x0	No amplifier info; use default amplifier parameters from Audio Function node instead
[2]	OutAmpPrsnt	R	0x0	No output amp
[1]	InAmpPrsnt	R	0x0	No input amp
[0]	Stereo	R	0x1	Stereo widget

### 6.18.2. PortF PinCap

Table 292. PortF PinCap Command Verb Format

	Verb ID	Payload	Response
<b>Get</b>	F00	0C	See bitfield table.

Table 293. PortF PinCap Command Response Format

Bit	Bitfield Name	RW	Reset	Description
[31..17]	Rsvd2	R	0x0	Reserved
[16]	EapdCap	R	0x0	This widget does not control EAPD pin

Table 293. PortF PinCap Command Response Format

Bit	Bitfield Name	RW	Reset	Description
[15.:8]	VrefCntrl	R	0x17	VRef generation is supported by this pin complex, and the following voltages can be produced on the associated VRef pin: 80% Avdd; 50% Avdd; GND; Hi-Z (required since pin complex is output capable)
[7]	Rsvd1	R	0x0	Reserved
[6]	BalancedIO	R	0x0	Pin complex does not have balanced pins.
[5]	InCap	R	0x1	Pin complex is input capable.
[4]	OutCap	R	0x1	Pin complex is output capable.
[3]	HdphDrvCap	R	0x0	Pin does not have a headphone amplifier.
[2]	PresDtctCap	R	0x1	Pin complex can perform Presence Detect.
[1]	TrigRqd	R	0x1	Trigger is required for impedance measurement
[0]	ImpSenseCap	R	0x1	Pin complex supports impedance sense.

### 6.18.3. PortF ConLst

Table 294. PortF ConLst Command Verb Format

	Verb ID	Payload	Response
<b>Get</b>	F00	0E	See bitfield table.

Table 295. PortF ConLst Command Response Format

Bit	Bitfield Name	RW	Reset	Description
[31.:8]	Rsvd	R	0x0	Reserved
[7]	LForm	R	0x0	Connection list uses short-form (7-bit) NID entries.
[6.:0]	ConL	R	0x01	Number of NID entries in connection list.

#### 6.18.4. PortF ConLstEntry

Table 296. PortF ConLstEntry Command Verb Format

	Verb ID	Payload	Response
Get	F02	00	See bitfield table.

Table 297. PortF ConLstEntry Command Response Format

Bit	Bitfield Name	RW	Reset	Description
[31.:24]	ConL3	R	0x00	Unused list entry.
[23.:16]	ConL2	R	0x00	Unused list entry.
[15.:8]	ConL1	R	0x00	Unused list entry.
[7.:0]	ConL0	R	0x05	DAC3 Converter widget

#### 6.18.5. PortF PinWCntrl

Table 298. PortF PinWCntrl Command Verb Format

	Verb ID	Payload	Response
Get	F07	00	See bitfield table.
Set1	707	See bits [7:0] of bitfield table.	0000_0000h

Table 299. PortF PinWCntrl Command Response Format

Bit	Bitfield Name	RW	Reset	Description
[31.:7]	Rsvd2	R	0x0	Reserved
[6]	OutEn	RW	0x0	1= (CODEC) output path of Pin Widget is enabled
[5]	InEn	RW	0x0	1= (CODEC) input path of Pin Widget is enabled
[4.:3]	Rsvd1	R	0x0	Reserved
[2.:0]	VRefEn	RW	0x0	VRefEn: Selects one of the possible states for the VRef signal associated with the Pin Widget. If the value written to this control does not correspond to a supported value defined in the VRefCntrl field of the Pin Capabilities parameter (0C), then this control will take the value of 000b (Hi-Z).

### 6.18.6. PortF UnsolResp

Table 300. PortF UnsolResp Command Verb Format

	Verb ID	Payload	Response
<b>Get</b>	F08	00	See bitfield table.
<b>Set1</b>	708	See bits [7:0] of bitfield table.	0000_0000h

Table 301. PortF UnsolResp Command Response Format

Bit	Bitfield Name	RW	Reset	Description
[31.:8]	Rsvd2	R	0x00	Reserved
[7]	En	RW	0x0	Allow generation of Unsolicited Responses. Unsolicited response events occur upon jack-insertion OR completion of a Jack-Sense cycle.
[6]	Rsvd1	R	0x0	Reserved
[5.:0]	Tag	RW	0x00	Software programmable field returned in top six bits (31:26) of every Unsolicited Response generated by this node.

### 6.18.7. PortF ChSense

Table 302. PortF ChSense Command Verb Format

	Verb ID	Payload	Response
<b>Get</b>	F09	00	See bitfield table.
<b>Set1</b>	709	See bits [7:0] of bitfield table.	0000_0000h
<b>Set2</b>	709	See bits [7:0] of bitfield table.	0000_0000h

Table 303. PortF ChSense Command Response Format

Bit	Bitfield Name	RW	Reset	Description
[31]	PresDtct	R	0x0	1= something is plugged into jack associated with Pin Complex.
[30.:0]	Impedance	R	0x7FFF_FFFF	Measured impedance of the widget. A value of all 1's indicates that a valid sense reading is not available, or the sense measurement is busy if it has been recently triggered.

Table 303. PortF ChSense Command Response Format

Bit	Bitfield Name	RW	Reset	Description
[0]	RightCh	W	0x0	Set 1= perform impedance sensing on right channel or ring of the connector
[0]	LeftCh	W	0x0	Set 0= perform impedance sensing on left channel or tip of the connector

### 6.18.8. PortF ConfigDefault

Table 304. PortF ConfigDefault Command Verb Format

	Verb ID	Payload	Response
<b>Get</b>	F1C	00	See bitfield table.
<b>Set1</b>	71C	See bits [7:0] of bitfield table.	0000_0000h
<b>Set2</b>	71D	See bits [7:0] of bitfield table.	0000_0000h
<b>Set3</b>	71E	See bits [7:0] of bitfield table.	0000_0000h
<b>Set4</b>	71F	See bits [7:0] of bitfield table.	0000_0000h

Table 305. PortF ConfigDefault Command Response Format

Bit	Bitfield Name	RW	Reset	Description
[31.:24]	Config4	RW	0x01	Port Connectivity= Jack; Location= Mainboard rear.
[23.:16]	Config3	RW	0x01	Default Device= Line Out; Connection Type= 1/8 inch jack.
[15.:8]	Config2	RW	0x10	Color= Black; Misc= No jack detect override.
[7.:0]	Config1	RW	0x12	Association= 1h; Sequence= 2h.

## 6.19. PortG Node (NID = 0x10)

### 6.19.1. PortG WCap

Table 306. PortG WCap Command Verb Format

	Verb ID	Payload	Response
Get	F00	09	See bitfield table.

Table 307. PortG WCap Command Response Format

Bit	Bitfield Name	RW	Reset	Description
[31..24]	Rsvd2	R	0x0	Reserved
[23..20]	Type	R	0x4	Widget type = Pin Complex
[19..16]	Delay	R	0x0	Number of sample delays through widget
[15..12]	Rsvd1	R	0x0	Reserved
[11]	SwapCap	R	0x0	No left/right channel swap capability
[10]	PwrCntrl	R	0x0	No support for Power State control
[9]	Dig	R	0x0	Widget supports an Analog stream
[8]	ConnList	R	0x1	Connection list is present
[7]	UnSolCap	R	0x1	Unsolicited Response is supported
[6]	ProcWidget	R	0x0	No Processing Controls parameter
[5]	Stripe	R	0x0	No support for striping
[4]	FormatOvrd	R	0x0	N/A for pin complex
[3]	AmpParOvrd	R	0x0	No amplifier info; use default amplifier parameters from Audio Function node instead
[2]	OutAmpPrsnt	R	0x0	No output amp
[1]	InAmpPrsnt	R	0x0	No input amp
[0]	Stereo	R	0x1	Stereo widget



### 6.19.2. PortG PinCap

Table 308. PortG PinCap Command Verb Format

	Verb ID	Payload	Response
Get	F00	0C	See bitfield table.

Table 309. PortG PinCap Command Response Format

Bit	Bitfield Name	RW	Reset	Description
[31..17]	Rsvd2	R	0x0	Reserved
[16]	EapdCap	R	0x0	This widget does not control EAPD pin
[15..8]	VrefCntrl	R	0x00	VRef generation not supported by this pin complex.
[7]	Rsvd1	R	0x0	Reserved
[6]	BalancedIO	R	0x0	Pin complex does not have balanced pins.
[5]	InCap	R	0x1	Pin complex is input capable.
[4]	OutCap	R	0x1	Pin complex is output capable.
[3]	HdphDrvCap	R	0x0	Pin does not have a headphone amplifier.
[2]	PresDtctCap	R	0x1	Pin complex can perform Presence Detect.
[1]	TrigRqd	R	0x1	Trigger is required for impedance measurement
[0]	ImpSenseCap	R	0x1	Pin complex supports impedance sense.

### 6.19.3. PortG ConLst

Table 310. PortG ConLst Command Verb Format

	Verb ID	Payload	Response
Get	F00	0E	See bitfield table.

Table 311. PortG ConLst Command Response Format

Bit	Bitfield Name	RW	Reset	Description
[31.:8]	Rsvd	R	0x0	Reserved
[7]	LForm	R	0x0	Connection list uses short-form (7-bit) NID entries.
[6.:0]	ConL	R	0x01	Number of NID entries in connection list.

#### 6.19.4. PortG ConLstEntry

Table 312. PortG ConLstEntry Command Verb Format

	Verb ID	Payload	Response
Get	F02	00	See bitfield table.

Table 313. PortG ConLstEntry Command Response Format

Bit	Bitfield Name	RW	Reset	Description
[31.:24]	ConL3	R	0x00	Unused list entry.
[23.:16]	ConL2	R	0x00	Unused list entry.
[15.:8]	ConL1	R	0x00	Unused list entry.
[7.:0]	ConL0	R	0x04	DAC2 Converter widget

#### 6.19.5. PortG PinWCntrl

Table 314. PortG PinWCntrl Command Verb Format

	Verb ID	Payload	Response
Get	F07	00	See bitfield table.
Set1	707	See bits [7:0] of bitfield table.	0000_0000h

Table 315. PortG PinWCntrl Command Response Format

Bit	Bitfield Name	RW	Reset	Description
[31.:7]	Rsvd2	R	0x0	Reserved
[6]	OutEn	RW	0x0	1= (CODEC) output path of Pin Widget is enabled

Table 315. PortG PinWCntrl Command Response Format

Bit	Bitfield Name	RW	Reset	Description
[5]	InEn	RW	0x0	1= (CODEC) input path of Pin Widget is enabled
[4.:3]	Rsvd1	R	0x0	Reserved
[2.:0]	VRefEn	R	0x0	Vref Out not supported on this Port

### 6.19.6. PortG UnsolResp

Table 316. PortG UnsolResp Command Verb Format

	Verb ID	Payload	Response
<b>Get</b>	F08	00	See bitfield table.
<b>Set1</b>	708	See bits [7:0] of bitfield table.	0000_0000h

Table 317. PortG UnsolResp Command Response Format

Bit	Bitfield Name	RW	Reset	Description
[31.:8]	Rsvd2	R	0x00	Reserved
[7]	En	RW	0x0	Allow generation of Unsolicited Responses. Unsolicited response events occur upon jack-insertion OR completion of a Jack-Sense cycle.
[6]	Rsvd1	R	0x0	Reserved
[5.:0]	Tag	RW	0x00	Software programmable field returned in top six bits (31:26) of every Unsolicited Response generated by this node.

### 6.19.7. PortG ChSense

Table 318. PortG ChSense Command Verb Format

	Verb ID	Payload	Response
<b>Get</b>	F09	00	See bitfield table.
<b>Set1</b>	709	See bits [7:0] of bitfield table.	0000_0000h
<b>Set2</b>	709	See bits [7:0] of bitfield table.	0000_0000h

Table 319. PortG ChSense Command Response Format

Bit	Bitfield Name	RW	Reset	Description
[31]	PresDtct	R	0x0	1= something is plugged into jack associated with Pin Complex.
[30.:0]	Impedance	R	0x7FFF_FFFF	Measured impedance of the widget. A value of all 1's indicates that a valid sense reading is not available, or the sense measurement is busy if it has been recently triggered.
[0]	RightCh	W	0x0	Set 1= perform impedance sensing on right channel or ring of the connector
[0]	LeftCh	W	0x0	Set 0= perform impedance sensing on left channel or tip of the connector

### 6.19.8. PortG ConfigDefault

Table 320. PortG ConfigDefault Command Verb Format

	Verb ID	Payload	Response
<b>Get</b>	F1C	00	See bitfield table.
<b>Set1</b>	71C	See bits [7:0] of bitfield table.	0000_0000h
<b>Set2</b>	71D	See bits [7:0] of bitfield table.	0000_0000h
<b>Set3</b>	71E	See bits [7:0] of bitfield table.	0000_0000h
<b>Set4</b>	71F	See bits [7:0] of bitfield table.	0000_0000h

Table 321. PortG ConfigDefault Command Response Format

Bit	Bitfield Name	RW	Reset	Description
[31.:24]	Config4	RW	0x01	Port Connectivity= Jack; Location= Mainboard rear.
[23.:16]	Config3	RW	0x01	Default Device= Line Out; Connection Type= 1/8 inch jack.
[15.:8]	Config2	RW	0x60	Color= Orange; Misc= No jack detect override.
[7.:0]	Config1	RW	0x11	Association= 1h; Sequence= 1h.

## 6.20. PortH Node (NID = 0x11)

### 6.20.1. PortH WCap

Table 322. PortH WCap Command Verb Format

	Verb ID	Payload	Response
Get	F00	09	See bitfield table.

Table 323. PortH WCap Command Response Format

Bit	Bitfield Name	RW	Reset	Description
[31..24]	Rsvd2	R	0x0	Reserved
[23..20]	Type	R	0x4	Widget type = Pin Complex
[19..16]	Delay	R	0x0	Number of sample delays through widget
[15..12]	Rsvd1	R	0x0	Reserved
[11]	SwapCap	R	0x0	No left/right channel swap capability
[10]	PwrCntrl	R	0x0	No support for Power State control
[9]	Dig	R	0x0	Widget supports an Analog stream
[8]	ConnList	R	0x1	Connection list is present
[7]	UnSolCap	R	0x1	Unsolicited Response is supported
[6]	ProcWidget	R	0x0	No Processing Controls parameter
[5]	Stripe	R	0x0	No support for striping
[4]	FormatOvrd	R	0x0	N/A for pin complex
[3]	AmpParOvrd	R	0x0	No amplifier info; use default amplifier parameters from Audio Function node instead
[2]	OutAmpPrsnt	R	0x0	No output amp
[1]	InAmpPrsnt	R	0x0	No input amp
[0]	Stereo	R	0x1	Stereo widget

### 6.20.2. Porth PinCap

Table 324. Porth PinCap Command Verb Format

	Verb ID	Payload	Response
Get	F00	0C	See bitfield table.

Table 325. Porth PinCap Command Response Format

Bit	Bitfield Name	RW	Reset	Description
[31..17]	Rsvd2	R	0x0	Reserved
[16]	EapdCap	R	0x0	This widget does not control EAPD pin
[15..8]	VrefCntrl	R	0x00	VRef generation not supported by this pin complex.
[7]	Rsvd1	R	0x0	Reserved
[6]	BalancedIO	R	0x0	Pin complex does not have balanced pins.
[5]	InCap	R	0x1	Pin complex is input capable.
[4]	OutCap	R	0x1	Pin complex is output capable.
[3]	HdphDrvCap	R	0x0	Pin does not have a headphone amplifier.
[2]	PresDtctCap	R	0x1	Pin complex can perform Presence Detect.
[1]	TrigRqd	R	0x1	Trigger is required for impedance measurement
[0]	ImpSenseCap	R	0x1	Pin complex supports impedance sense.

### 6.20.3. Porth ConLst

Table 326. Porth ConLst Command Verb Format

	Verb ID	Payload	Response
Get	F00	0E	See bitfield table.

Table 327. Porth ConLst Command Response Format

Bit	Bitfield Name	RW	Reset	Description
[31.:8]	Rsvd	R	0x0	Reserved
[7]	LForm	R	0x0	Connection list uses short-form (7-bit) NID entries.
[6.:0]	ConL	R	0x01	Number of NID entries in connection list.

#### 6.20.4. Porth ConLstEntry

Table 328. Porth ConLstEntry Command Verb Format

	Verb ID	Payload	Response
Get	F02	00	See bitfield table.

Table 329. Porth ConLstEntry Command Response Format

Bit	Bitfield Name	RW	Reset	Description
[31.:24]	ConL3	R	0x00	Unused list entry.
[23.:16]	ConL2	R	0x00	Unused list entry.
[15.:8]	ConL1	R	0x00	Unused list entry.
[7.:0]	ConL0	R	0x03	DAC1 Converter widget

#### 6.20.5. Porth PinWCntrl

Table 330. Porth PinWCntrl Command Verb Format

	Verb ID	Payload	Response
Get	F07	00	See bitfield table.
Set1	707	See bits [7:0] of bitfield table.	0000_0000h

Table 331. Porth PinWCntrl Command Response Format

Bit	Bitfield Name	RW	Reset	Description
[31.:7]	Rsvd2	R	0x0	Reserved
[6]	OutEn	RW	0x0	1= (CODEC) output path of Pin Widget is enabled

Table 331. Porth PinWCntrl Command Response Format

Bit	Bitfield Name	RW	Reset	Description
[5]	InEn	RW	0x0	1= (CODEC) input path of Pin Widget is enabled
[4..3]	Rsvd1	R	0x0	Reserved
[2..0]	VRefEn	R	0x0	Vref Out not supported on this Port

### 6.20.6. Porth UnsolicitedResp

Table 332. Porth UnsolicitedResp Command Verb Format

	Verb ID	Payload	Response
<b>Get</b>	F08	00	See bitfield table.
<b>Set1</b>	708	See bits [7:0] of bitfield table.	0000_0000h

Table 333. Porth UnsolicitedResp Command Response Format

Bit	Bitfield Name	RW	Reset	Description
[31..8]	Rsvd2	R	0x00	Reserved
[7]	En	RW	0x0	Allow generation of Unsolicited Responses. Unsolicited response events occur upon jack-insertion OR completion of a Jack-Sense cycle.
[6]	Rsvd1	R	0x0	Reserved
[5..0]	Tag	RW	0x00	Software programmable field returned in top six bits (31:26) of every Unsolicited Response generated by this node.

### 6.20.7. Porth ChSense

Table 334. Porth ChSense Command Verb Format

	Verb ID	Payload	Response
<b>Get</b>	F09	00	See bitfield table.
<b>Set1</b>	709	See bits [7:0] of bitfield table.	0000_0000h
<b>Set2</b>	709	See bits [7:0] of bitfield table.	0000_0000h



Table 335. Porth ChSense Command Response Format

Bit	Bitfield Name	RW	Reset	Description
[31]	PresDtct	R	0x0	1= something is plugged into jack associated with Pin Complex.
[30.:0]	Impedance	R	0x7FFF_FFFF	Measured impedance of the widget. A value of all 1's indicates that a valid sense reading is not available, or the sense measurement is busy if it has been recently triggered.
[0]	RightCh	W	0x0	Set 1= perform impedance sensing on right channel or ring of the connector
[0]	LeftCh	W	0x0	Set 0= perform impedance sensing on left channel or tip of the connector

### 6.20.8. Porth ConfigDefault

Table 336. Porth ConfigDefault Command Verb Format

	Verb ID	Payload	Response
<b>Get</b>	F1C	00	See bitfield table.
<b>Set1</b>	71C	See bits [7:0] of bitfield table.	0000_0000h
<b>Set2</b>	71D	See bits [7:0] of bitfield table.	0000_0000h
<b>Set3</b>	71E	See bits [7:0] of bitfield table.	0000_0000h
<b>Set4</b>	71F	See bits [7:0] of bitfield table.	0000_0000h

Table 337. Porth ConfigDefault Command Response Format

Bit	Bitfield Name	RW	Reset	Description
[31.:24]	Config4	RW	0x01	Port Connectivity= Jack; Location= Mainboard rear.
[23.:16]	Config3	RW	0x01	Default Device= Line Out; Connection Type= 1/8 inch jack.
[15.:8]	Config2	RW	0x20	Color= Grey; Misc= No jack detect override.
[7.:0]	Config1	RW	0x14	Association= 1h; Sequence= 4h.

## 6.21. DMic0 Node (NID = 0x13)

### 6.21.1. DMic0 WCap

Table 338. DMic0 WCap Command Verb Format

	Verb ID	Payload	Response
Get	F00	09	See bitfield table.

Table 339. DMic0 WCap Command Response Format

Bit	Bitfield Name	RW	Reset	Description
[31.:24]	Rsvd2	R	0x0	Reserved
[23.:20]	Type	R	0x4=Enabled 0xF=Disabled	Widget type = Pin Complex
[19.:16]	Delay	R	0x0	Number of sample delays through widget
[15.:12]	Rsvd1	R	0x0	Reserved
[11]	SwapCap	R	0x0	No left/right channel swap capability
[10]	PwrCntrl	R	0x0	No support for Power State control
[9]	DigitalStrm	R	0x0	Widget supports an Analog stream (since the digital microphone input is a SDM signal that needs to be processed by the digital filters, it is not a true bit for bit digital stream like I2S or SPDIF where samples are passed through unchanged)
[8]	ConnList	R	0x0	No connection list is present
[7]	UnsolCap	R	0x0	No support for Unsolicited Response
[6]	ProcWidget	R	0x0	No Processing Controls parameter
[5]	Stripe	R	0x0	No support for striping
[4]	FormatOvrd	R	0x0	N/A for pin complex
[3]	AmpParamOvrd	R	0x0	No amplifier info; use default amplifier parameters from Audio Function node instead.
[2]	OutAmpPrsnt	R	0x0	No output amp

Table 339. DMic0 WCap Command Response Format

Bit	Bitfield Name	RW	Reset	Description
[1]	InAmpPrsnt	R	0x0	No input amp
[0]	Stereo	R	0x1	Stereo widget

### 6.21.2. DMic0 PinCap

Table 340. DMic0 PinCap Command Verb Format

	Verb ID	Payload	Response
Get	F00	0C	See bitfield table.

Table 341. DMic0 PinCap Command Response Format

Bit	Bitfield Name	RW	Reset	Description
[31..17]	Rsvd2	R	0x0	Reserved
[16]	EapdCap	R	0x0	This widget does not control EAPD pin
[15..8]	VRefCntrl	R	0x00	VRef generation not supported by this pin complex.
[7]	Rsvd1	R	0x0	Reserved
[6]	BalancedIO	R	0x0	Pin complex does not have balanced pins.
[5]	InCap	R	0x1	Pin complex is input capable.
[4]	OutCap	R	0x0	Pin complex is not output capable.
[3]	HPhnDrvCap	R	0x0	Pin does not have a headphone amplifier.
[2]	PresDtctCap	R	0x0	Pin complex cannot perform Presence Detect.
[1]	TrigRqd	R	0x0	N/A
[0]	ImpSenseCap	R	0x0	Pin complex does not support impedance sense.

### 6.21.3. DMic0 PinWCntrl

Table 342. DMic0 PinWCntrl Command Verb Format

	Verb ID	Payload	Response
<b>Get</b>	F07	00	See bitfield table.
<b>Set1</b>	707	See bits [7:0] of bitfield table.	0000_0000h

Table 343. DMic0 PinWCntrl Command Response Format

Bit	Bitfield Name	RW	Reset	Description
[31.:6]	Rsvd2	R	0x0	Reserved
[5]	InEn	RW	0x0	1= (CODEC) input path of Pin Widget is enabled
[4.:0]	Rsvd1	R	0x0	Reserved

### 6.21.4. DMic0 ConfigDefault

Table 344. DMic0 ConfigDefault Command Verb Format

	Verb ID	Payload	Response
<b>Get</b>	F1C	00	See bitfield table.
<b>Set1</b>	71C	See bits [7:0] of bitfield table.	0000_0000h
<b>Set2</b>	71D	See bits [7:0] of bitfield table.	0000_0000h
<b>Set3</b>	71E	See bits [7:0] of bitfield table.	0000_0000h
<b>Set4</b>	71F	See bits [7:0] of bitfield table.	0000_0000h

Table 345. DMic0 ConfigDefault Command Response Format

Bit	Bitfield Name	RW	Reset	Description
[31.:24]	Config4	RW	0x50	Port Connectivity= No connection; Location= Internal.
[23.:16]	Config3	RW	0xA0	Default Device= Mic In; Connection Type= Unknown.

Table 345. DMic0 ConfigDefault Command Response Format

Bit	Bitfield Name	RW	Reset	Description
[15.:8]	Config2	RW	0x01	Color= Unknown; Misc= Jack detect override.
[7.:0]	Config1	RW	0xF0	Association= Fh; Sequence= 0h.

## 6.22. DMic1 Node (NID = 0x14)

### 6.22.1. DMic1 WCap

Table 346. DMic1 WCap Command Verb Format

	Verb ID	Payload	Response
Get	F00	09	See bitfield table.

Table 347. DMic1 WCap Command Response Format

Bit	Bitfield Name	RW	Reset	Description
[31.:24]	Rsvd2	R	0x0	Reserved
[23.:20]	Type	R	0x4=Enabled 0xF=Disabled	Widget type = Pin Complex
[19.:16]	Delay	R	0x0	Number of sample delays through widget
[15.:12]	Rsvd1	R	0x0	Reserved
[11]	SwapCap	R	0x0	No left/right channel swap capability
[10]	PwrCntrl	R	0x0	No support for Power State control
[9]	DigitalStrm	R	0x0	Widget supports an Analog stream (since the digital microphone input is a SDM signal that needs to be processed by the digital filters, it is not a true bit for bit digital stream like I2S or SPDIF where samples are passed through unchanged)
[8]	ConnList	R	0x0	No connection list is present
[7]	UnsolCap	R	0x0	No support for Unsolicited Response
[6]	ProcWidget	R	0x0	No Processing Controls parameter

Table 347. DMic1 WCap Command Response Format

Bit	Bitfield Name	RW	Reset	Description
[5]	Stripe	R	0x0	No support for striping
[4]	FormatOvrd	R	0x0	N/A for pin complex
[3]	AmpParamOvrd	R	0x0	No amplifier info; use default amplifier parameters from Audio Function node instead.
[2]	OutAmpPrsnt	R	0x0	No output amp
[1]	InAmpPrsnt	R	0x0	No input amp
[0]	Stereo	R	0x1	Stereo widget

### 6.22.2. DMic1 PinCap

Table 348. DMic1 PinCap Command Verb Format

	Verb ID	Payload	Response
Get	F00	0C	See bitfield table.

Table 349. DMic1 PinCap Command Response Format

Bit	Bitfield Name	RW	Reset	Description
[31.:17]	Rsvd2	R	0x0	Reserved
[16]	EapdCap	R	0x0	This widget does not control EAPD pin
[15.:8]	VRefCntrl	R	0x00	VRef generation not supported by this pin complex.
[7]	Rsvd1	R	0x0	Reserved
[6]	BalancedIO	R	0x0	Pin complex does not have balanced pins.
[5]	InCap	R	0x1	Pin complex is input capable.
[4]	OutCap	R	0x0	Pin complex is not output capable.
[3]	HPhnDrvCap	R	0x0	Pin does not have a headphone amplifier.
[2]	PresDtctCap	R	0x0	Pin complex cannot perform Presence Detect.

Table 349. DMic1 PinCap Command Response Format

Bit	Bitfield Name	RW	Reset	Description
[1]	TrigRqd	R	0x0	N/A
[0]	ImpSenseCap	R	0x0	Pin complex does not support impedance sense.

### 6.22.3. DMic1 PinWCntrl

Table 350. DMic1 PinWCntrl Command Verb Format

	Verb ID	Payload	Response
<b>Get</b>	F07	00	See bitfield table.
<b>Set1</b>	707	See bits [7:0] of bitfield table.	0000_0000h

Table 351. DMic1 PinWCntrl Command Response Format

Bit	Bitfield Name	RW	Reset	Description
[31..6]	Rsvd2	R	0x0	Reserved
[5]	InEn	RW	0x0	1= (CODEC) input path of Pin Widget is enabled
[4.:0]	Rsvd1	R	0x0	Reserved

### 6.22.4. DMic1 ConfigDefault

Table 352. DMic1 ConfigDefault Command Verb Format

	Verb ID	Payload	Response
<b>Get</b>	F1C	00	See bitfield table.
<b>Set1</b>	71C	See bits [7:0] of bitfield table.	0000_0000h
<b>Set2</b>	71D	See bits [7:0] of bitfield table.	0000_0000h
<b>Set3</b>	71E	See bits [7:0] of bitfield table.	0000_0000h
<b>Set4</b>	71F	See bits [7:0] of bitfield table.	0000_0000h

Table 353. DMic1 ConfigDefault Command Response Format

Bit	Bitfield Name	RW	Reset	Description
[31.:24]	Config4	RW	0x50	Port Connectivity= No connection; Location= Internal.
[23.:16]	Config3	RW	0xA0	Default Device= Mic In; Connection Type= Unknown.
[15.:8]	Config2	RW	0x01	Color= Unknown; Misc= Jack detect override.
[7.:0]	Config1	RW	0xF0	Association= Fh; Sequence= 0h.

## 6.23. DigOut0 Node (NID = 0x21)

### 6.23.1. DigOut0 WCap

Table 354. DigOut0 WCap Command Verb Format

	Verb ID	Payload	Response
Get	F00	09	See bitfield table.

Table 355. DigOut0 WCap Command Response Format

Bit	Bitfield Name	RW	Reset	Description
[31.:24]	Rsvd2	R	0x0	Reserved
[23.:20]	Type	R	0x4	Widget type = Pin Complex
[19.:16]	Delay	R	0x0	Number of sample delays through widget
[15.:12]	Rsvd1	R	0x0	Reserved
[11]	SwapCap	R	0x0	No support for swapping left and right channels
[10]	PwrCntrl	R	0x0	No support for Power State control
[9]	Dig	R	0x1	Widget supports a Digital stream
[8]	ConnList	R	0x1	Connection list is present
[7]	UnSolCap	R	0x0	No support for Unsolicited Response



Table 355. DigOut0 WCap Command Response Format

Bit	Bitfield Name	RW	Reset	Description
[6]	ProcWidget	R	0x0	No Processing Controls parameter
[5]	Stripe	R	0x0	No support for striping
[4]	FormatOvrd	R	0x0	N/A for pin complex
[3]	AmpParOvrd	R	0x0	No amplifier info; use default amplifier parameters from Audio Function node instead
[2]	OutAmpPrsnt	R	0x0	No output amp
[1]	InAmpPrsnt	R	0x0	No input amp
[0]	Stereo	R	0x1	Stereo widget

### 6.23.2. DigOut0 PinCap

Table 356. DigOut0 PinCap Command Verb Format

	Verb ID	Payload	Response
Get	F00	0C	See bitfield table.

Table 357. DigOut0 PinCap Command Response Format

Bit	Bitfield Name	RW	Reset	Description
[31.:17]	Rsvd2	R	0x0	Reserved
[16]	EapdCap	R	0x0	This widget does not control EAPD pin
[15.:8]	VrefCntrl	R	0x00	Vref generation not supported on this pin
[7]	Rsvd1	R	0x0	Reserved
[6]	BalancedIO	R	0x0	Pin complex does not have balanced pins.
[5]	InCap	R	0x0	Pin complex is not input capable.
[4]	OutCap	R	0x1	Pin complex is output capable.
[3]	HdphDrvCap	R	0x0	Pin does not have a headphone amplifier.
[2]	PresDtctCap	R	0x0	Pin complex cannot perform Presence Detect.

Table 357. DigOut0 PinCap Command Response Format

Bit	Bitfield Name	RW	Reset	Description
[1]	TrigRqd	R	0x0	N/A
[0]	ImpSenseCap	R	0x0	Pin complex does not support impedance sense.

### 6.23.3. DigOut0 ConLst

Table 358. DigOut0 ConLst Command Verb Format

	Verb ID	Payload	Response
Get	F00	0E	See bitfield table.

Table 359. DigOut0 ConLst Command Response Format

Bit	Bitfield Name	RW	Reset	Description
[31..8]	Rsvd	R	0x0	Reserved.
[7]	LForm	R	0x0	Connection list uses short-form (7-bit) NID entries.
[6..0]	ConL	R	0x05	Number of NID entries in connection list.

### 6.23.4. DigOut0 ConLstEntry0

Table 360. DigOut0 ConLstEntry0 Command Verb Format

	Verb ID	Payload	Response
Get	F02	00	See bitfield table.

Table 361. DigOut0 ConLstEntry0 Command Response Format

Bit	Bitfield Name	RW	Reset	Description
[31..24]	ConL3	R	0x1C	ADC1Mux widget
[23..16]	ConL2	R	0x1B	ADC0Mux widget
[15..8]	ConL1	R	0x1F	ADAT Out Converter widget
[7..0]	ConL0	R	0x1E	SPDIF Out Converter widget

**6.23.5. DigOut0 ConLstEntry4****Table 362. DigOut0 ConLstEntry4 Command Verb Format**

	Verb ID	Payload	Response
<b>Get</b>	F02	04	See bitfield table.

**Table 363. DigOut0 ConLstEntry4 Command Response Format**

Bit	Bitfield Name	RW	Reset	Description
[31.:24]	ConL7	R	0x00	No connection
[23.:16]	ConL6	R	0x00	No connection
[15.:8]	ConL5	R	0x00	No connection
[7.:0]	ConL4	R	0x1D	ADC2Mux widget

**6.23.6. DigOut0 ConSelectCtrl****Table 364. DigOut0 ConSelectCtrl Command Verb Format**

	Verb ID	Payload	Response
<b>Get</b>	F01	00	See bitfield table.
<b>Set1</b>	701	See bits [7:0] of bitfield table.	0000_0000h

**Table 365. DigOut0 ConSelectCtrl Command Response Format**

Bit	Bitfield Name	RW	Reset	Description
[31.:1]	Rsvd	R	0x0	Reserved
[2.:0]	Index	RW	0x0	Connection select control index.

**6.23.7. DigOut0 PinWCntrl****Table 366. DigOut0 PinWCntrl Command Verb Format**

	Verb ID	Payload	Response
<b>Get</b>	F07	00	See bitfield table.
<b>Set1</b>	707	See bits [7:0] of bitfield table.	0000_0000h

Table 367. DigOut0 PinWCntrl Command Response Format

Bit	Bitfield Name	RW	Reset	Description
[31..7]	Rsvd2	R	0x0	Reserved
[6]	OutEn	RW	0x0	1= (CODEC) output path of Pin Widget is enabled
[5..0]	Rsvd1	R	0x0	Reserved

### 6.23.8. DigOut0 ConfigDefault

Table 368. DigOut0 ConfigDefault Command Verb Format

	Verb ID	Payload	Response
<b>Get</b>	F1C	00	See bitfield table.
<b>Set1</b>	71C	See bits [7:0] of bitfield table.	0000_0000h
<b>Set2</b>	71D	See bits [7:0] of bitfield table.	0000_0000h
<b>Set3</b>	71E	See bits [7:0] of bitfield table.	0000_0000h
<b>Set4</b>	71F	See bits [7:0] of bitfield table.	0000_0000h

Table 369. DigOut0 ConfigDefault Command Response Format

Bit	Bitfield Name	RW	Reset	Description
[31..24]	Config4	RW	0x01	Port Connectivity= Jack; Location= Mainboard rear.
[23..16]	Config3	RW	0x44	Default Device= SPDIF Out; Connection Type= RCA.
[15..8]	Config2	RW	0x21	Color= Grey; Misc= Jack detect override.
[7..0]	Config1	RW	0x70	Association= 7h; Sequence= 0h.

## 6.24. DigIn Node (NID = 0x22)

### 6.24.1. DigIn WCap

Table 370. DigIn WCap Command Verb Format

	Verb ID	Payload	Response
Get	F00	09	See bitfield table.

Table 371. DigIn WCap Command Response Format

Bit	Bitfield Name	RW	Reset	Description
[31..24]	Rsvd2	R	0x0	Reserved
[23..20]	Type	R	0x4=Enabled 0x8=Disabled	Widget type = Pin Complex
[19..16]	Delay	R	0x3	Number of sample delays through widget
[15..12]	Rsvd1	R	0x0	Reserved
[11]	SwapCap	R	0x0	No left/right channel swap capability
[10]	PwrCntrl	R	0x1	Power State control capability for support of EAPD
[9]	Dig	R	0x1	Widget supports a Digital stream
[8]	ConnList	R	0x0	No connection list is present
[7]	UnSolCap	R	0x1	Unsolicited Response is supported
[6]	ProcWidget	R	0x0	No Processing Controls parameter
[5]	Stripe	R	0x0	No support for striping
[4]	FormatOvrd	R	0x0	N/A for pin complex
[3]	AmpParOvrd	R	0x0	No amplifier info; use default amplifier parameters from Audio Function node instead
[2]	OutAmpPrsnt	R	0x0	No output amp
[1]	InAmpPrsnt	R	0x0	No input amp
[0]	Stereo	R	0x1	Stereo widget

### 6.24.2. DigIn PinCap

Table 372. DigIn PinCap Command Verb Format

	Verb ID	Payload	Response
Get	F00	0C	See bitfield table.

Table 373. DigIn PinCap Command Response Format

Bit	Bitfield Name	RW	Reset	Description
[31..17]	Rsvd2	R	0x0	Reserved
[16]	EapdCap	R	0x1	This widget controls EAPD pin
[15..8]	VrefCntrl	R	0x00	Vref generation not supported on input pins.
[7]	Rsvd1	R	0x0	Reserved
[6]	BalancedIO	R	0x0	Pin complex does not have balanced pins.
[5]	InCap	R	0x1	Pin complex is input capable.
[4]	OutCap	R	0x0	Pin complex is not output capable. (EAPD!= output stream)
[3]	HdphDrvCap	R	0x0	Pin does not have a headphone amplifier.
[2]	PresDtctCap	R	0x1	Pin complex can perform Presence Detect.
[1]	TrigRqd	R	0x0	N/A
[0]	ImpSenseCap	R	0x0	Pin complex does not support impedance sense.

### 6.24.3. DigIn PwrState

Table 374. DigIn PwrState Command Verb Format

	Verb ID	Payload	Response
Get	F05	00	See bitfield table.
Set1	705	See bits [7:0] of bitfield table.	0000_0000h

Table 375. DigIn PwrState Command Response Format

Bit	Bitfield Name	RW	Reset	Description
[31.:8]	Rsvd2	R	0x0	Reserved
[7.:4]	Act	R	0x3	PS-Act: Actual power state of referenced node.
[3.:2]	Rsvd1	R	0x0	Reserved
[1.:0]	Set	RW	0x3	PS-Set: Current power setting of referenced node. 00 - Fully on. 01 - Fully on. 10 - EAPD powered down (Hi-Z). 11 - Powered down (default)

#### 6.24.4. DigIn PinWCntrl

Table 376. DigIn PinWCntrl Command Verb Format

	Verb ID	Payload	Response
<b>Get</b>	F07	00	See bitfield table.
<b>Set1</b>	707	See bits [7:0] of bitfield table.	0000_0000h

Table 377. DigIn PinWCntrl Command Response Format

Bit	Bitfield Name	RW	Reset	Description
[31.:6]	Rsvd2	R	0x0	Reserved
[5]	InEn	RW	0x0	1= (CODEC) input path of Pin Widget is enabled
[4.:0]	Rsvd1	R	0x0	Reserved

#### 6.24.5. DigIn UnsolResp

Table 378. DigIn UnsolResp Command Verb Format

	Verb ID	Payload	Response
<b>Get</b>	F08	00	See bitfield table.
<b>Set1</b>	708	See bits [7:0] of bitfield table.	0000_0000h

Table 379. DigIn UnsolResp Command Response Format

Bit	Bitfield Name	RW	Reset	Description
[31..8]	Rsvd2	R	0x00	Reserved
[7]	En	RW	0x0	Allow generation of Unsolicited Responses. Unsolicited response events occur upon lock or loss-of-lock of SPDIF-in clock recovery circuit.
[6]	Rsvd1	R	0x0	Reserved.
[5..0]	Tag	RW	0x00	Software programmable field returned in top six bits (31:26) of every Unsolicited Response generated by this node.

#### 6.24.6. DigIn ChSense

Table 380. DigIn ChSense Command Verb Format

	Verb ID	Payload	Response
<b>Get</b>	F09	00	See bitfield table.
<b>Set1</b>	709	See bits [7:0] of bitfield table.	0000_0000h

Table 381. DigIn ChSense Command Response Format

Bit	Bitfield Name	RW	Reset	Description
[31]	PresDtct	R	0x0	1= something is plugged into jack associated with Pin Complex. For this widget, Presence Detect indicates that the SPDIF-in clock recovery circuit has locked onto a valid SPDIF-in sampling frequency. Any change in status will generate an Unsolicited Response, if enabled with verb 708.
[30..0]	Rsvd	R	0x0	Reserved. Impedance sense not supported for this Pin Complex.



### 6.24.7. DigIn EAPD

Table 382. DigIn EAPD Command Verb Format

	Verb ID	Payload	Response
<b>Get</b>	F0C	00	See bitfield table.
<b>Set1</b>	70C	See bits [7:0] of bitfield table.	0000_0000h

Table 383. DigIn EAPD Command Response Format

Bit	Bitfield Name	RW	Reset	Description
[31..2]	Rsvd2	R	0x0	Reserved
[1]	Data	RW	0x0	EAPD value reflected on the EAPD pin. 0= power down external amp; 1= power up external amp if PwrState < 0x2. If PwrState >= 0x2, Pin47 is Hi-Z. An external pull-down is required if EAPD must be low when Pin Widget is powered down.
[0]	Rsvd1	R	0x0	Reserved

### 6.24.8. DigIn ConfigDefault

Table 384. DigIn ConfigDefault Command Verb Format

	Verb ID	Payload	Response
<b>Get</b>	F1C	00	See bitfield table.
<b>Set1</b>	71C	See bits [7:0] of bitfield table.	0000_0000h
<b>Set2</b>	71D	See bits [7:0] of bitfield table.	0000_0000h
<b>Set3</b>	71E	See bits [7:0] of bitfield table.	0000_0000h
<b>Set4</b>	71F	See bits [7:0] of bitfield table.	0000_0000h

Table 385. DigIn ConfigDefault Command Response Format

Bit	Bitfield Name	RW	Reset	Description
[31..24]	Config4	RW	0x81	Port Connectivity= No connect; Location= Mainboard rear.
[23..16]	Config3	RW	0xC4	Default Device= SPDIF In; Connection Type= RCA.

Table 385. DigIn ConfigDefault Command Response Format

Bit	Bitfield Name	RW	Reset	Description
[15.:8]	Config2	RW	0x20	Color= Grey; Misc= No jack detect override.
[7.:0]	Config1	RW	0x90	Association= 9h; Sequence= 0h.

## 6.25. InPort0Mux Node (NID = 0x15)

### 6.25.1. InPort0Mux WCap

Table 386. InPort0Mux WCap Command Verb Format

	Verb ID	Payload	Response
Get	F00	09	See bitfield table.

Table 387. InPort0Mux WCap Command Response Format

Bit	Bitfield Name	RW	Reset	Description
[31.:24]	Rsvd2	R	0x0	Reserved
[23.:20]	Type	R	0x3	Widget type = Audio Selector
[19.:16]	Delay	R	0x0	Number of sample delays through widget
[15.:12]	Rsvd1	R	0x0	Reserved
[11]	SwapCap	R	0x0	No left/right channel swap capability
[10]	PwrCntrl	R	0x0	No support for Power State control
[9]	Dig	R	0x0	Widget supports an Analog stream
[8]	ConnList	R	0x1	Connection list is present
[7]	UnSolCap	R	0x0	No support for Unsolicited Response
[6]	ProcWidget	R	0x0	No Processing Controls parameter.
[5]	Stripe	R	0x0	No support for striping
[4]	FormatOvrd	R	0x0	No format info; use default format parameters from Audio Function node instead

Table 387. InPort0Mux WCap Command Response Format

Bit	Bitfield Name	RW	Reset	Description
[3]	AmpParOvrD	R	0x1	This widget contains its own amplifier parameters.
[2]	OutAmpPrsnt	R	0x1	Output amp is present
[1]	InAmpPrsnt	R	0x0	No input amp
[0]	Stereo	R	0x1	Stereo widget

### 6.25.2. InPort0Mux ConLst

Table 388. InPort0Mux ConLst Command Verb Format

	Verb ID	Payload	Response
Get	F00	0E	See bitfield table.

Table 389. InPort0Mux ConLst Command Response Format

Bit	Bitfield Name	RW	Reset	Description
[31.:8]	Rsvd	R	0x0	Reserved
[7]	LForm	R	0x0	Connection list uses short-form (7-bit) NID entries.
[6.:0]	ConL	R	0x09	Number of NID entries in connection list.

### 6.25.3. InPort0Mux OutAmpCap

Table 390. InPort0Mux OutAmpCap Command Verb Format

	Verb ID	Payload	Response
Get	F00	12	See bitfield table.

Table 391. InPort0Mux OutAmpCap Command Response Format

Bit	Bitfield Name	RW	Reset	Description
[31]	Mute	R	0x0	No mute capability
[30.:23]	Rsvd3	R	0x0	Reserved
[22.:16]	StepSize	R	0x27	Size of each step in the gain range = 10dB

Table 391. InPort0Mux OutAmpCap Command Response Format

Bit	Bitfield Name	RW	Reset	Description
[15]	Rsvd2	R	0x0	Reserved
[14.:8]	NumSteps	R	0x04	Number of steps in the gain range = 5 (0dB to +40dB)
[7]	Rsvd1	R	0x0	Reserved
[6.:0]	Offset	R	0x00	0dB-step is programmed with this offset

#### 6.25.4. InPort0Mux OutAmpRight

Table 392. InPort0Mux OutAmpRight Command Verb Format

	Verb ID	Payload	Response
<b>Get</b>	B80	00	See bitfield table.
<b>Set1</b>	390	See bits [7:0] of bitfield table.	0000_0000h

Table 393. InPort0Mux OutAmpRight Command Response Format

Bit	Bitfield Name	RW	Reset	Description
[31.:3]	Rsvd1	R	0x0	Reserved
[2.:0]	Gain	RW	0x0	Amplifier gain step number: 000 = 0dB; 001 = 10dB; 010 = 20dB; 011 = 30dB; 100 = 40dB

#### 6.25.5. InPort0Mux OutAmpLeft

Table 394. InPort0Mux OutAmpLeft Command Verb Format

	Verb ID	Payload	Response
<b>Get</b>	BA0	00	See bitfield table.
<b>Set1</b>	3A0	See bits [7:0] of bitfield table.	0000_0000h

Table 395. InPort0Mux OutAmpLeft Command Response Format

Bit	Bitfield Name	RW	Reset	Description
[31..3]	Rsvd1	R	0x0	Reserved
[2..0]	Gain	RW	0x0	Amplifier gain step number: 000 = 0dB; 001 = 10dB; 010 = 20dB; 011 = 30dB; 100 = 40dB

### 6.25.6. InPort0Mux ConSelectCtrl

Table 396. InPort0Mux ConSelectCtrl Command Verb Format

	Verb ID	Payload	Response
<b>Get</b>	F01	00	See bitfield table.
<b>Set1</b>	701	See bits [7:0] of bitfield table.	0000_0000h

Table 397. InPort0Mux ConSelectCtrl Command Response Format

Bit	Bitfield Name	RW	Reset	Description
[31..4]	Rsvd	R	0x0	Reserved
[3..0]	Index	RW	0x0	Connection select control index. (Default = Port E)

### 6.25.7. InPort0Mux ConLstEntry0

Table 398. InPort0Mux ConLstEntry0 Command Verb Format

	Verb ID	Payload	Response
<b>Get</b>	F02	00	See bitfield table.

Table 399. InPort0Mux ConLstEntry0 Command Response Format

Bit	Bitfield Name	RW	Reset	Description
[31..24]	ConL3	R	0x0B	Port B
[23..16]	ConL2	R	0x0F	Port F

Table 399. InPort0Mux ConLstEntry0 Command Response Format

Bit	Bitfield Name	RW	Reset	Description
[15.:8]	ConL1	R	0x12	CD In
[7.:0]	ConL0	R	0x0E	Port E (default)

### 6.25.8. InPort0Mux ConLstEntry4

Table 400. InPort0Mux ConLstEntry4 Command Verb Format

	Verb ID	Payload	Response
Get	F02	04	See bitfield table.

Table 401. InPort0Mux ConLstEntry4 Command Response Format

Bit	Bitfield Name	RW	Reset	Description
[31.:24]	ConL7	R	0x10	Port G
[23.:16]	ConL6	R	0x0A	Port A
[15.:8]	ConL5	R	0x0D	Port D
[7.:0]	ConL4	R	0x0C	Port C

### 6.25.9. InPort0Mux ConLstEntry8

Table 402. InPort0Mux ConLstEntry8 Command Verb Format

	Verb ID	Payload	Response
Get	F02	08	See bitfield table.

Table 403. InPort0Mux ConLstEntry8 Command Response Format

Bit	Bitfield Name	RW	Reset	Description
[31.:24]	ConL11	R	0x0	No connection.
[23.:16]	ConL10	R	0x0	No connection.
[15.:8]	ConL9	R	0x0	No connection.
[7.:0]	ConL8	R	0x11	Port H

## 6.26. InPort1Mux Node (NID = 0x16)

### 6.26.1. InPort1Mux WCap

Table 404. InPort1Mux WCap Command Verb Format

	Verb ID	Payload	Response
Get	F00	09	See bitfield table.

Table 405. InPort1Mux WCap Command Response Format

Bit	Bitfield Name	RW	Reset	Description
[31..24]	Rsvd2	R	0x0	Reserved
[23..20]	Type	R	0x3	Widget type = Audio Selector
[19..16]	Delay	R	0x0	Number of sample delays through widget
[15..12]	Rsvd1	R	0x0	Reserved
[11]	SwapCap	R	0x0	No left/right channel swap capability
[10]	PwrCntrl	R	0x0	No support for Power State control
[9]	Dig	R	0x0	Widget supports an Analog stream
[8]	ConnList	R	0x1	Connection list is present
[7]	UnSolCap	R	0x0	No support for Unsolicited Response
[6]	ProcWidget	R	0x0	No Processing Controls parameter.
[5]	Stripe	R	0x0	No support for striping
[4]	FormatOvrd	R	0x0	No format info; use default format parameters from Audio Function node instead
[3]	AmpParOvrd	R	0x1	This widget contains its own amplifier parameters.
[2]	OutAmpPrsnt	R	0x1	Output amp is present
[1]	InAmpPrsnt	R	0x0	No input amp
[0]	Stereo	R	0x1	Stereo widget

### 6.26.2. InPort1Mux ConLst

Table 406. InPort1Mux ConLst Command Verb Format

	Verb ID	Payload	Response
Get	F00	0E	See bitfield table.

Table 407. InPort1Mux ConLst Command Response Format

Bit	Bitfield Name	RW	Reset	Description
[31..8]	Rsvd	R	0x0	Reserved
[7]	LForm	R	0x0	Connection list uses short-form (7-bit) NID entries.
[6..0]	ConL	R	0x09	Number of NID entries in connection list.

### 6.26.3. InPort1Mux OutAmpCap

Table 408. InPort1Mux OutAmpCap Command Verb Format

	Verb ID	Payload	Response
Get	F00	12	See bitfield table.

Table 409. InPort1Mux OutAmpCap Command Response Format

Bit	Bitfield Name	RW	Reset	Description
[31]	Mute	R	0x0	No mute capability
[30..23]	Rsvd3	R	0x0	Reserved
[22..16]	StepSize	R	0x27	Size of each step in the gain range = 10dB
[15]	Rsvd2	R	0x0	Reserved
[14..8]	NumSteps	R	0x04	Number of steps in the gain range = 5 (0dB to +40dB)
[7]	Rsvd1	R	0x0	Reserved
[6..0]	Offset	R	0x00	0dB-step is programmed with this offset



#### 6.26.4. InPort1Mux OutAmpRight

Table 410. InPort1Mux OutAmpRight Command Verb Format

	Verb ID	Payload	Response
<b>Get</b>	B80	00	See bitfield table.
<b>Set1</b>	390	See bits [7:0] of bitfield table.	0000_0000h

Table 411. InPort1Mux OutAmpRight Command Response Format

Bit	Bitfield Name	RW	Reset	Description
[31.:3]	Rsvd1	R	0x0	Reserved
[2.:0]	Gain	RW	0x0	Amplifier gain step number: 000 = 0dB; 001 = 10dB; 010 = 20dB; 011 = 30dB; 100 = 40dB

#### 6.26.5. InPort1Mux OutAmpLeft

Table 412. InPort1Mux OutAmpLeft Command Verb Format

	Verb ID	Payload	Response
<b>Get</b>	BA0	00	See bitfield table.
<b>Set1</b>	3A0	See bits [7:0] of bitfield table.	0000_0000h

Table 413. InPort1Mux OutAmpLeft Command Response Format

Bit	Bitfield Name	RW	Reset	Description
[31.:3]	Rsvd1	R	0x0	Reserved
[2.:0]	Gain	RW	0x0	Amplifier gain step number: 000 = 0dB; 001 = 10dB; 010 = 20dB; 011 = 30dB; 100 = 40dB

**6.26.6. InPort1Mux ConSelectCtrl****Table 414. InPort1Mux ConSelectCtrl Command Verb Format**

	Verb ID	Payload	Response
<b>Get</b>	F01	00	See bitfield table.
<b>Set1</b>	701	See bits [7:0] of bitfield table.	0000_0000h

**Table 415. InPort1Mux ConSelectCtrl Command Response Format**

Bit	Bitfield Name	RW	Reset	Description
[31.:4]	Rsvd	R	0x0	Reserved
[3.:0]	Index	RW	0x0	Connection select control index. (Default = Port E)

**6.26.7. InPort1Mux ConLstEntry0****Table 416. InPort1Mux ConLstEntry0 Command Verb Format**

	Verb ID	Payload	Response
<b>Get</b>	F02	00	See bitfield table.

**Table 417. InPort1Mux ConLstEntry0 Command Response Format**

Bit	Bitfield Name	RW	Reset	Description
[31.:24]	ConL3	R	0x0B	Port B
[23.:16]	ConL2	R	0x0F	Port F
[15.:8]	ConL1	R	0x12	CD In
[7.:0]	ConL0	R	0x0E	Port E (default)

**6.26.8. InPort1Mux ConLstEntry4****Table 418. InPort1Mux ConLstEntry4 Command Verb Format**

	Verb ID	Payload	Response
<b>Get</b>	F02	04	See bitfield table.

Table 419. InPort1Mux ConLstEntry4 Command Response Format

Bit	Bitfield Name	RW	Reset	Description
[31.:24]	ConL7	R	0x10	Port G
[23.:16]	ConL6	R	0x0A	Port A
[15.:8]	ConL5	R	0x0D	Port D
[7.:0]	ConL4	R	0x0C	Port C

### 6.26.9. InPort1Mux ConLstEntry8

Table 420. InPort1Mux ConLstEntry8 Command Verb Format

	Verb ID	Payload	Response
Get	F02	08	See bitfield table.

Table 421. InPort1Mux ConLstEntry8 Command Response Format

Bit	Bitfield Name	RW	Reset	Description
[31.:24]	ConL11	R	0x0	No connection.
[23.:16]	ConL10	R	0x0	No connection.
[15.:8]	ConL9	R	0x0	No connection.
[7.:0]	ConL8	R	0x11	Port H

## 6.27. InPort2Mux Node (NID = 0x17)

### 6.27.1. InPort2Mux WCap

Table 422. InPort2Mux WCap Command Verb Format

	Verb ID	Payload	Response
Get	F00	09	See bitfield table.

Table 423. InPort2Mux WCap Command Response Format

Bit	Bitfield Name	RW	Reset	Description
[31..24]	Rsvd2	R	0x0	Reserved
[23..20]	Type	R	0x3	Widget type = Audio Selector
[19..16]	Delay	R	0x0	Number of sample delays through widget
[15..12]	Rsvd1	R	0x0	Reserved
[11]	SwapCap	R	0x0	No left/right channel swap capability
[10]	PwrCntrl	R	0x0	No support for Power State control
[9]	Dig	R	0x0	Widget supports an Analog stream
[8]	ConnList	R	0x1	Connection list is present
[7]	UnSolCap	R	0x0	No support for Unsolicited Response
[6]	ProcWidget	R	0x0	No Processing Controls parameter.
[5]	Stripe	R	0x0	No support for striping
[4]	FormatOvrd	R	0x0	No format info; use default format parameters from Audio Function node instead
[3]	AmpParOvrd	R	0x1	This widget contains its own amplifier parameters.
[2]	OutAmpPrsnt	R	0x1	Output amp is present
[1]	InAmpPrsnt	R	0x0	No input amp
[0]	Stereo	R	0x1	Stereo widget

### 6.27.2. InPort2Mux ConLst

Table 424. InPort2Mux ConLst Command Verb Format

	Verb ID	Payload	Response
Get	F00	0E	See bitfield table.

Table 425. InPort2Mux ConLst Command Response Format

Bit	Bitfield Name	RW	Reset	Description
[31.:8]	Rsvd	R	0x0	Reserved
[7]	LForm	R	0x0	Connection list uses short-form (7-bit) NID entries.
[6.:0]	ConL	R	0x9	Number of NID entries in connection list.

### 6.27.3. InPort2Mux OutAmpCap

Table 426. InPort2Mux OutAmpCap Command Verb Format

	Verb ID	Payload	Response
<b>Get</b>	F00	12	See bitfield table.

Table 427. InPort2Mux OutAmpCap Command Response Format

Bit	Bitfield Name	RW	Reset	Description
[31]	Mute	R	0x0	No mute capability
[30.:23]	Rsvd3	R	0x0	Reserved
[22.:16]	StepSize	R	0x27	Size of each step in the gain range = 10dB
[15]	Rsvd2	R	0x0	Reserved
[14.:8]	NumSteps	R	0x04	Number of steps in the gain range = 5 (0dB to +40dB)
[7]	Rsvd1	R	0x0	Reserved
[6.:0]	Offset	R	0x00	0dB-step is programmed with this offset

### 6.27.4. InPort2Mux OutAmpRight

Table 428. InPort2Mux OutAmpRight Command Verb Format

	Verb ID	Payload	Response
<b>Get</b>	B80	00	See bitfield table.
<b>Set1</b>	390	See bits [7:0] of bitfield table.	0000_0000h

Table 429. InPort2Mux OutAmpRight Command Response Format

Bit	Bitfield Name	RW	Reset	Description
[31..3]	Rsvd1	R	0x0	Reserved
[2..0]	Gain	RW	0x0	Amplifier gain step number: 000 = 0dB; 001 = 10dB; 010 = 20dB; 011 = 30dB; 100 = 40dB

### 6.27.5. InPort2Mux OutAmpLeft

Table 430. InPort2Mux OutAmpLeft Command Verb Format

	Verb ID	Payload	Response
<b>Get</b>	BA0	00	See bitfield table.
<b>Set1</b>	3A0	See bits [7:0] of bitfield table.	0000_0000h

Table 431. InPort2Mux OutAmpLeft Command Response Format

Bit	Bitfield Name	RW	Reset	Description
[31..3]	Rsvd1	R	0x0	Reserved
[2..0]	Gain	RW	0x0	Amplifier gain step number: 000 = 0dB; 001 = 10dB; 010 = 20dB; 011 = 30dB; 100 = 40dB

### 6.27.6. InPort2Mux ConSelectCtrl

Table 432. InPort2Mux ConSelectCtrl Command Verb Format

	Verb ID	Payload	Response
<b>Get</b>	F01	00	See bitfield table.
<b>Set1</b>	701	See bits [7:0] of bitfield table.	0000_0000h

Table 433. InPort2Mux ConSelectCtrl Command Response Format

Bit	Bitfield Name	RW	Reset	Description
[31.:4]	Rsvd	R	0x0	Reserved
[3.:0]	Index	RW	0x0	Connection select control index. (Default = Port E)

### 6.27.7. InPort2Mux ConLstEntry0

Table 434. InPort2Mux ConLstEntry0 Command Verb Format

	Verb ID	Payload	Response
Get	F02	00	See bitfield table.

Table 435. InPort2Mux ConLstEntry0 Command Response Format

Bit	Bitfield Name	RW	Reset	Description
[31.:24]	ConL3	R	0x0B	Port B
[23.:16]	ConL2	R	0x0F	Port F
[15.:8]	ConL1	R	0x12	CD In
[7.:0]	ConL0	R	0x0E	Port E (default)

### 6.27.8. InPort2Mux ConLstEntry4

Table 436. InPort2Mux ConLstEntry4 Command Verb Format

	Verb ID	Payload	Response
Get	F02	04	See bitfield table.

Table 437. InPort2Mux ConLstEntry4 Command Response Format

Bit	Bitfield Name	RW	Reset	Description
[31.:24]	ConL7	R	0x10	Port G
[23.:16]	ConL6	R	0x0A	Port A
[15.:8]	ConL5	R	0x0D	Port D
[7.:0]	ConL4	R	0x0C	Port C

### 6.27.9. InPort2Mux ConLstEntry8

Table 438. InPort2Mux ConLstEntry8 Command Verb Format

	Verb ID	Payload	Response
Get	F02	08	See bitfield table.

Table 439. InPort2Mux ConLstEntry8 Command Response Format

Bit	Bitfield Name	RW	Reset	Description
[31.:24]	ConL11	R	0x0	No connection.
[23.:16]	ConL10	R	0x0	No connection.
[15.:8]	ConL9	R	0x0	No connection.
[7.:0]	ConL8	R	0x11	Port H

## 6.28. PCBEEP Node (NID = 0x23)

### 6.28.1. PCBEEP OutAmpLeft

Table 440. PCBEEP OutAmpLeft Command Verb Format

	Verb ID	Payload	Response
Get	BA0	00	See bitfield table.
Set1	3A0	See bits [7:0] of bitfield table.	0000_0000h

Table 441. PCBEEP OutAmpLeft Command Response Format

Bit	Bitfield Name	RW	Reset	Description
[31.:8]	Rsvd2	R	0x0	Reserved
[7]	Mute	RW	0x0	1 = disable Digital PC Beep
[6.:2]	Rsvd1	R	0x0	Reserved
[1.:0]	Gain	RW	0x0	Mono (left) amplifier gain step number



### 6.28.2. PCBEEP WCap

Table 442. PCBEEP WCap Command Verb Format

	Verb ID	Payload	Response
Get	F00	09	See bitfield table.

Table 443. PCBEEP WCap Command Response Format

Bit	Bitfield Name	RW	Reset	Description
[31.:24]	Rsvd2	R	0x0	Reserved
[23.:20]	Type	R	0x7	Widget type = Beep Generator
[19.:4]	Rsvd1	R	0x0	Reserved
[3]	AmpParOvrd	R	0x1	This widget contains its own amplifier parameters.
[2]	OutAmpPrsnt	R	0x1	Output amp is present
[1]	InAmpPrsnt	R	0x0	N/A
[0]	Stereo	R	0x0	Mono widget

### 6.28.3. PCBEEP OutAmpCap

Table 444. PCBEEP OutAmpCap Command Verb Format

	Verb ID	Payload	Response
Get	F00	12	See bitfield table.

Table 445. PCBEEP OutAmpCap Command Response Format

Bit	Bitfield Name	RW	Reset	Description
[31]	Mute	R	0x0	Amplifier is capable of muting
[30.:23]	Rsvd3	R	0x0	Reserved
[22.:16]	StepSize	R	0x17	Size of each step in the gain range = 6 dB
[15]	Rsvd2	R	0x0	Reserved
[14.:8]	NumSteps	R	0x03	Number of steps in the gain range = 4 (-18dB to 0dB)

Table 445. PCBEEP OutAmpCap Command Response Format

Bit	Bitfield Name	RW	Reset	Description
[7]	Rsvd1	R	0x0	Reserved
[6.:0]	Offset	R	0x03	0dB-step is programmed with this offset

#### 6.28.4. PCBEEP Gen

Table 446. PCBEEP Gen Command Verb Format

	Verb ID	Payload	Response
<b>Get</b>	F0A	00	See bitfield table.
<b>Set1</b>	70A	See bits [7:0] of bitfield table.	0000_0000h

Table 447. PCBEEP Gen Command Response Format

Bit	Bitfield Name	RW	Reset	Description
[31.:8]	Rsvd	R	0x0	Reserved
[7.:0]	Divider	RW	0x0	<p>Enable internal PC-Beep generation. Divider = 00h - disables internal PC Beep generation and enables normal operation of the CODEC. Divider not 00h - generates the beep tone on all Pin Complexes that are currently configured as outputs. The Azalia spec states that the beep tone frequency = <math>(48 \text{ KHz Azalia SYNC rate}) / (4 * \text{Divider})</math>, producing tones from 47 Hz to 12 KHz (logarithmic scale). Instead, this part generates tones with frequency = <math>48000 * (257 - \text{Divider}) / 1024</math>, yielding a linear range from 12 KHz to 93.75 Hz in steps of 46.875 Hz. If JackSenseVSR[Rate2x], then the beep tones generated have frequency = <math>48000 * (513 - \text{Divider}) / 1024</math>, yielding a range of 24 KHz to 12093.75 Hz in steps of 46.875 Hz.</p>

## 6.29. CD Node (NID = 0x12)

### 6.29.1. CD WCap

Table 448. CD WCap Command Verb Format

	Verb ID	Payload	Response
Get	F00	09	See bitfield table.

Table 449. CD WCap Command Response Format

Bit	Bitfield Name	RW	Reset	Description
[31..24]	Rsvd2	R	0x0	Reserved
[23..20]	Type	R	0x4	Widget type = Pin Complex
[19..16]	Delay	R	0x0	Number of sample delays through widget
[15..12]	Rsvd1	R	0x0	Reserved
[11]	SwapCap	R	0x0	No left/right channel swap capability
[10]	PwrCntrl	R	0x0	No support for Power State control
[9]	Dig	R	0x0	Widget supports an Analog stream
[8]	ConnList	R	0x0	No connection list is present
[7]	UnSolCap	R	0x0	No support for Unsolicited Response
[6]	ProcWidget	R	0x0	No Processing Controls parameter
[5]	Stripe	R	0x0	No support for striping
[4]	FormatOvrd	R	0x0	N/A for pin complex
[3]	AmpParOvrd	R	0x0	No amp
[2]	OutAmpPrsnt	R	0x0	No output amp
[1]	InAmpPrsnt	R	0x0	No input amp
[0]	Stereo	R	0x1	Stereo widget

### 6.29.2. CD PinCap

Table 450. CD PinCap Command Verb Format

	Verb ID	Payload	Response
<b>Get</b>	F00	0C	See bitfield table.

Table 451. CD PinCap Command Response Format

Bit	Bitfield Name	RW	Reset	Description
[31..17]	Rsvd2	R	0x0	Reserved
[16]	EapdCap	R	0x0	This widget does not control EAPD pin
[15..8]	VrefCntrl	R	0x00	Vref generation not supported on this pin
[7]	Rsvd1	R	0x0	Reserved
[6]	BalancedIO	R	0x0	Pin complex does not have balanced pins.
[5]	InCap	R	0x1	Pin complex is input capable.
[4]	OutCap	R	0x0	Pin complex is not output capable.
[3]	HdphDrvCap	R	0x0	Pin does not have a headphone amplifier.
[2]	PresDtctCap	R	0x0	Pin complex cannot perform Presence Detect.
[1]	TrigRqd	R	0x0	N/A
[0]	ImpSenseCap	R	0x0	Pin complex does not support impedance sense.

### 6.29.3. CD PinWCntrl

Table 452. CD PinWCntrl Command Verb Format

	Verb ID	Payload	Response
<b>Get</b>	F07	00	See bitfield table.
<b>Set1</b>	707	See bits [7:0] of bitfield table.	0000_0000h

Table 453. CD PinWCntrl Command Response Format

Bit	Bitfield Name	RW	Reset	Description
[31..6]	Rsvd2	R	0x0	Reserved
[5]	InEn	RW	0x0	1= (CODEC) input path of Pin Widget is enabled
[4..0]	Rsvd1	R	0x0	Reserved

#### 6.29.4. CD ConfigDefault

Table 454. CD ConfigDefault Command Verb Format

	Verb ID	Payload	Response
<b>Get</b>	F1C	00	See bitfield table.
<b>Set1</b>	71C	See bits [7:0] of bitfield table.	0000_0000h
<b>Set2</b>	71D	See bits [7:0] of bitfield table.	0000_0000h
<b>Set3</b>	71E	See bits [7:0] of bitfield table.	0000_0000h
<b>Set4</b>	71F	See bits [7:0] of bitfield table.	0000_0000h

Table 455. CD ConfigDefault Command Response Format

Bit	Bitfield Name	RW	Reset	Description
[31..24]	Config4	RW	0x50	Port Connectivity= No connect; Location= Internal.
[23..16]	Config3	RW	0x33	Default Device= CD; Connection Type= ATAPI internal.
[15..8]	Config2	RW	0x01	Color= Unknown; Misc= Jack detect override.
[7..0]	Config1	RW	0xF0	Association= Fh; Sequence= 0h.

## 6.30. ADATOut Node (NID = 0x1F)

### 6.30.1. ADATOut Cnvtr

Table 456. ADATOut Cnvtr Command Verb Format

	Verb ID	Payload	Response
Get	A	0000	See bitfield table.
Set1	2	See bits [15:0] of bitfield table.	0000_0000h

Table 457. ADATOut Cnvtr Command Response Format

Bit	Bitfield Name	RW	Reset	Description
[31.:16]	Rsvd2	R	0x0	Reserved
[15]	FrmtNonPCM	RW	0x0	Stream Type 0= PCM 1= Non-PCM (remaining bits in this verb have other meanings)
[14]	FrmtSmplRate	RW	0x0	Sample Base Rate 0= 48 KHz 1= 44.1 KHz
[13.:11]	SmplRateMultp	RW	0x0	Sample Base Rate Multiple 000= 48 KHz / 44.1 KHz or less 001= x2 010= Reserved (x3) 011= x4 100-111= Reserved
[10.:8]	SmplRateDiv	RW	0x0	Sample Base Rate Divisor 000= Divide by 1 001= Divide by 2 010= Divide by 3 011= Divide by 4 100= Divide by 5 101= Divide by 6 110= Divide by 7 111= Divide by 8
[7]	Rsvd1	R	0x0	Reserved

Table 457. ADATOut Cnvtr Command Response Format

Bit	Bitfield Name	RW	Reset	Description
[6.:4]	BitsPerSmpl	RW	0x3	Bits per Sample 000= 8 bits 001= 16 bits 010= 20 bits 011= 24 bits 100-111= Reserved
[3.:0]	NmbrChan	RW	0x1	Number of Channels Number of channels in each frame of the stream. 0000= 1 channel 0001 = 2 channels ... 1111= 16 channels

### 6.30.2. ADATOut WCap

Table 458. ADATOut WCap Command Verb Format

	Verb ID	Payload	Response
Get	F00	09	See bitfield table.

Table 459. ADATOut WCap Command Response Format

Bit	Bitfield Name	RW	Reset	Description
[31.:24]	Rsvd2	R	0x0	Reserved
[23.:20]	Type	R	0xF	Widget type = Vendor Defined
[19.:16]	Delay	R	0x3	Number of sample delays through widget
[15.:12]	Rsvd1	R	0x0	Reserved
[11]	SwapCap	R	0x0	No left/right channel swap capability
[10]	PwrCntrl	R	0x0	No support for Power State control
[9]	Dig	R	0x1	Widget supports a Digital stream
[8]	ConnList	R	0x0	No connection list is present
[7]	UnSolCap	R	0x0	No support for Unsolicited Response
[6]	ProcWidget	R	0x0	No Processing Controls parameter

Table 459. ADATOut WCap Command Response Format

Bit	Bitfield Name	RW	Reset	Description
[5]	Stripe	R	0x0	No support for striping
[4]	FormatOvrd	R	0x0	No format info; use default format parameters from Audio Function node instead
[3]	AmpParOvrd	R	0x0	No amplifier info; use default amplifier parameters from Audio Function node instead
[2]	OutAmpPrsnt	R	0x0	No output amp
[1]	InAmpPrsnt	R	0x0	No input amp
[0]	Stereo	R	0x1	Stereo widget

### 6.30.3. ADATOut CnvtrID

Table 460. ADATOut CnvtrID Command Verb Format

	Verb ID	Payload	Response
<b>Get</b>	F06	00	See bitfield table.
<b>Set1</b>	706	See bits [7:0] of bitfield table.	0000_0000h

Table 461. ADATOut CnvtrID Command Response Format

Bit	Bitfield Name	RW	Reset	Description
[31.:8]	Rsvd	R	0x0	Reserved
[7.:4]	Strm	RW	0x0	Software-programmable integer representing link stream ID used by the converter widget. By convention stream 0 is reserved as unused.
[3.:0]	Ch	R	0x0	N/A in ADAT mode.

### 6.30.4. ADATOut DigCnvtr

Table 462. ADATOut DigCnvtr Command Verb Format

	Verb ID	Payload	Response
<b>Get</b>	F0D	00	See bitfield table.



Table 462. ADATOut DigCnvtr Command Verb Format

	Verb ID	Payload	Response
<b>Set1</b>	70D	See bits [7:0] of bitfield table.	0000_0000h
<b>Set2</b>	70E	See bits [7:0] of bitfield table.	0000_0000h

Table 463. ADATOut DigCnvtr Command Response Format

Bit	Bitfield Name	RW	Reset	Description
[31.:1]	Rsvd2	R	0x0	Reserved
[0]	DigEn	RW	0x0	DigEn - Digital Enable

### 6.30.5. ADATOut VCSR0

Table 464. ADATOut VCSR0 Command Verb Format

	Verb ID	Payload	Response
<b>Get</b>	FE0	00	See bitfield table.
<b>Set1</b>	7E0	See bits [7:0] of bitfield table.	0000_0000h

Table 465. ADATOut VCSR0 Command Response Format

Bit	Bitfield Name	RW	Reset	Description
[31.:5]	Rsvd2	R	0x0	Reserved FOR 9778

Table 465. ADATOut VCSR0 Command Response Format

Bit	Bitfield Name	RW	Reset	Description
[4]	ADATFRMT	RW	0x0	ADAT Sample Split Format Select 1: U user bits U3 and U2 in the transmitted ADAT stream are supplied by bits 3:2 of this verb (field ADAT), under software control. 0: U user bits U3 and U2 in the transmitted ADAT stream are controlled automatically by hardware, derived according to the sample-rate of the outgoing audio stream. Hardware support is provided for the transfer of double- and quad-rate data streams over the 48 KHz (nominal) 8-channel ADAT interface. Two 2-channel (stereo) streams or one 4-channel audio stream at double-rate or one 2-channel stream at quad-rate will be sample-split over the appropriate ADAT channels. For each mode, the ADAT channels are listed in the order of arrival of the corresponding audio sample: ADAT_2CH_SGL C0,C1 (C2-C7 zero padded) ADAT_2CH_DBL C0,C2,C1,C3 (C4-C7 zero padded) ADAT_2CH_QUAD C0,C4,C1,C5,C2,C6,C3,C7 ADAT_4CH_SGL C0,C1,C2,C3 (C4-C7 zero padded) ADAT_4CH_DBL C0,C2,C4,C6,C1,C3,C5,C7 ADAT_8CH_SGL C0,C1,C2,C3,C4,C5,C6,C7
[3.:0]	ADAT	RW	0x0	ADAT Lightpipe Control Used in conjunction with the ADAT Sample Rate in the stream converter to generate the 4 bit ADAT control signals. ADAT0 (U0): Time Code FLAG ADAT1 (U1): MIDI FLAG ADAT2 (U2): 0 = 44.1/48 KHz audio (1X operation) 1 = 88.2/96 KHz audio (2X operation) ADAT3 (U3): 1 = 176.4/192 KHz audio (4x operation) User bits U0 and U1 are always under software control. User bits U2 and U3 are also under software control if ADATFRMT is set. If ADATFRMT = 0, then bits 3:2 here are ignored and the bits transmitted as U3:U2 are controlled by hardware according to the sample-rate of the data stream.

## 6.31. VolumeKnob Node (NID = 0x24)

### 6.31.1. VolumeKnob WCap

Table 466. VolumeKnob WCap Command Verb Format

	Verb ID	Payload	Response
Get	F00	09	See bitfield table.

Table 467. VolumeKnob WCap Command Response Format

Bit	Bitfield Name	RW	Reset	Description
[31.:24]	Rsvd2	R	0x0	Reserved
[23.:20]	Type	R	0x6= Enabled 0xF=Disabled	Widget type = Volume Knob Widget
[19.:0]	Rsvd1	R	0x0	Reserved. Software assumes capability of unsolicited responses and a connection list for this widget type.

### 6.31.2. VolumeKnob VolKnobCap

Table 468. VolumeKnob VolKnobCap Command Verb Format

	Verb ID	Payload	Response
Get	F00	13	See bitfield table.

Table 469. VolumeKnob VolKnobCap Command Response Format

Bit	Bitfield Name	RW	Reset	Description
[31.:8]	Rsvd	R	0x0	Reserved
[7]	Delta	R	0x1	Indicates if software can write a base volume to the Volume Control Knob.
[6.:0]	NumSteps	R	0x7F	Total number of steps in the range of the volume knob = 128

### 6.31.3. VolumeKnob ConLst

Table 470. VolumeKnob ConLst Command Verb Format

	Verb ID	Payload	Response
Get	F00	0E	See bitfield table.

Table 471. VolumeKnob ConLst Command Response Format

Bit	Bitfield Name	RW	Reset	Description
[31.:8]	Rsvd	R	0x0	Reserved.

Table 471. VolumeKnob ConLst Command Response Format

Bit	Bitfield Name	RW	Reset	Description
[7]	LForm	R	0x0	Connection list uses short-form (7-bit) NID entries.
[6.:0]	ConL	R	DAC4 enable =0x05 DAC4 disable =0x04	Number of NID entries in connection list.

#### 6.31.4. VolumeKnob ConLstEntry0

Table 472. VolumeKnob ConLstEntry0 Command Verb Format

	Verb ID	Payload	Response
Get	F02	00	See bitfield table.

Table 473. VolumeKnob ConLstEntry0 Command Response Format

Bit	Bitfield Name	RW	Reset	Description
[31.:24]	ConL3	R	0x05	DAC3
[23.:16]	ConL2	R	0x04	DAC2
[15.:8]	ConL1	R	0x03	DAC1
[7.:0]	ConL0	R	0x02	DAC0

#### 6.31.5. VolumeKnob ConLstEntry4

Table 474. VolumeKnob ConLstEntry4 Command Verb Format

	Verb ID	Payload	Response
Get	F02	04	See bitfield table.

Table 475. VolumeKnob ConLstEntry4 Command Response Format

Bit	Bitfield Name	RW	Reset	Description
[31.:24]	ConL7	R	0x0	No connection.
[23.:16]	ConL6	R	0x0	No connection.

Table 475. VolumeKnob ConLstEntry4 Command Response Format

Bit	Bitfield Name	RW	Reset	Description
[15.:8]	ConL5	R	0x0	No connection.
[7.:0]	ConL4	R	0x06= Enabled 0x00= Disabled	DAC4

### 6.31.6. VolumeKnob UnsolicitedResp

Table 476. VolumeKnob UnsolicitedResp Command Verb Format

	Verb ID	Payload	Response
<b>Get</b>	F08	00	See bitfield table.
<b>Set1</b>	708	See bits [7:0] of bitfield table.	0000_0000h

Table 477. VolumeKnob UnsolicitedResp Command Response Format

Bit	Bitfield Name	RW	Reset	Description
[31.:8]	Rsvd2	R	0x00	Reserved
[7]	En	RW	0x0	Allow generation of Unsolicited Responses. Unsolicited response events occur upon jack-insertion OR completion of a Jack-Sense cycle.
[6]	Rsvd1	R	0x0	Reserved
[5.:0]	Tag	RW	0x00	Software programmable field returned in top six bits (31:26) of every Unsolicited Response generated by this node.

### 6.31.7. VolumeKnob Cntrl

Table 478. VolumeKnob Cntrl Command Verb Format

	Verb ID	Payload	Response
<b>Get</b>	F0F	00	See bitfield table.
<b>Set1</b>	70F	See bits [7:0] of bitfield table.	0000_0000h

Table 479. VolumeKnob Cntrl Command Response Format

Bit	Bitfield Name	RW	Reset	Description
[31.:8]	Rsvd	R	0x0	Reserved
[7]	Direct	RW	0x0	Direct = 1 causes the volume control to directly control the hardware volume of the slave amps. Direct = 0 causes unsolicited responses to be generated.
[6.:0]	Volume	RW	0x7F	Volume, specified in steps of amplifier gain

### 6.31.8. VolumeKnob VCSR0

Table 480. VolumeKnob VCSR0 Command Verb Format

	Verb ID	Payload	Response
<b>Get</b>	FE0	00	See bitfield table.
<b>Set1</b>	7E0	See bits [7:0] of bitfield table.	0000_0000h

Table 481. VolumeKnob VCSR0 Command Response Format

Bit	Bitfield Name	RW	Reset	Description
[31.:4]	Rsvd	R	0x0	Reserved
[3]	Continuous	RW	0x1	Allow continuous incrementing/ decrementing of the volume knob value.
[2.:0]	Rate	RW	0x0	Volume knob update rate, for continuous mode and de-bouncing (0.7 = 2.5.20 Hz, in increments of 2.5 Hz)

## 6.32. InPort0Vol Node (NID = 0x18)

### 6.32.1. InPort0Vol WCap

Table 482. InPort0Vol WCap Command Verb Format

	Verb ID	Payload	Response
<b>Get</b>	F00	09	See bitfield table.

Table 483. InPort0Vol WCap Command Response Format

Bit	Bitfield Name	RW	Reset	Description
[31.:24]	Rsvd2	R	0x0	Reserved
[23.:20]	Type	R	0x3	Widget type = Audio Selector
[19.:16]	Delay	R	0x0	Number of sample delays through widget
[15.:12]	Rsvd1	R	0x0	Reserved
[11]	SwapCap	R	0x0	No left/right channel swap capability
[10]	PwrCntrl	R	0x0	No support for Power State control
[9]	Dig	R	0x0	Widget supports an Analog stream
[8]	ConnList	R	0x1	Connection list is present
[7]	UnSolCap	R	0x0	No support for Unsolicited Response
[6]	ProcWidget	R	0x0	No Processing Controls parameter.
[5]	Stripe	R	0x0	No support for striping
[4]	FormatOvrd	R	0x0	No format info; use default format parameters from Audio Function node instead
[3]	AmpParOvrd	R	0x0	No amplifier info; use default amplifier parameters from Audio Function node instead
[2]	OutAmpPrsnt	R	0x0	No output amp
[1]	InAmpPrsnt	R	0x1	input amp is present
[0]	Stereo	R	0x1	Stereo widget

### 6.32.2. InPort0Vol ConLst

Table 484. InPort0Vol ConLst Command Verb Format

	Verb ID	Payload	Response
Get	F00	0E	See bitfield table.

Table 485. InPort0Vol ConLst Command Response Format

Bit	Bitfield Name	RW	Reset	Description
[31..8]	Rsvd	R	0x0	Reserved
[7]	LForm	R	0x0	Connection list uses short-form (7-bit) NID entries.
[6..0]	ConL	R	0x01	Number of NID entries in connection list.

### 6.32.3. InPort0Vol InAmpRight

Table 486. InPort0Vol InAmpRight Command Verb Format

	Verb ID	Payload	Response
<b>Get</b>	B00	00	See bitfield table.
<b>Set1</b>	350	See bits [7:0] of bitfield table.	0000_0000h

Table 487. InPort0Vol InAmpRight Command Response Format

Bit	Bitfield Name	RW	Reset	Description
[31..4]	Rsvd1	R	0x0	Reserved
[3..0]	Gain	RW	0x0	Amplifier gain step number

### 6.32.4. InPort0Vol InAmpLeft

Table 488. InPort0Vol InAmpLeft Command Verb Format

	Verb ID	Payload	Response
<b>Get</b>	B20	00	See bitfield table.
<b>Set1</b>	360	See bits [7:0] of bitfield table.	0000_0000h

Table 489. InPort0Vol InAmpLeft Command Response Format

Bit	Bitfield Name	RW	Reset	Description
[31..4]	Rsvd1	R	0x0	Reserved
[3..0]	Gain	RW	0x0	Amplifier gain step number



### 6.32.5. InPort0Vol ConLstEntry

Table 490. InPort0Vol ConLstEntry Command Verb Format

	Verb ID	Payload	Response
Get	F02	00	See bitfield table.

Table 491. InPort0Vol ConLstEntry Command Response Format

Bit	Bitfield Name	RW	Reset	Description
[31.:24]	ConL3	R	0x00	No Connection
[23.:16]	ConL2	R	0x00	No Connection
[15.:8]	ConL1	R	0x00	No Connection
[7.:0]	ConL0	R	0x15	InPort0 Mux widget

## 6.33. InPort1Vol Node (NID = 0x19)

### 6.33.1. InPort1Vol WCap

Table 492. InPort1Vol WCap Command Verb Format

	Verb ID	Payload	Response
Get	F00	09	See bitfield table.

Table 493. InPort1Vol WCap Command Response Format

Bit	Bitfield Name	RW	Reset	Description
[31.:24]	Rsvd2	R	0x0	Reserved
[23.:20]	Type	R	0x3	Widget type = Audio Selector
[19.:16]	Delay	R	0x0	Number of sample delays through widget
[15.:12]	Rsvd1	R	0x0	Reserved
[11]	SwapCap	R	0x0	No left/right channel swap capability
[10]	PwrCntrl	R	0x0	No support for Power State control
[9]	Dig	R	0x0	Widget supports an Analog stream

Table 493. InPort1Vol WCap Command Response Format

Bit	Bitfield Name	RW	Reset	Description
[8]	ConnList	R	0x1	Connection list is present
[7]	UnSolCap	R	0x0	No support for Unsolicited Response
[6]	ProcWidget	R	0x0	No Processing Controls parameter.
[5]	Stripe	R	0x0	No support for striping
[4]	FormatOvrd	R	0x0	No format info; use default format parameters from Audio Function node instead
[3]	AmpParOvrd	R	0x0	No amplifier info; use default amplifier parameters from Audio Function node instead
[2]	OutAmpPrsnt	R	0x0	No output amp
[1]	InAmpPrsnt	R	0x1	input amp is present
[0]	Stereo	R	0x1	Stereo widget

### 6.33.2. InPort1Vol ConLst

Table 494. InPort1Vol ConLst Command Verb Format

	Verb ID	Payload	Response
<b>Get</b>	F00	0E	See bitfield table.

Table 495. InPort1Vol ConLst Command Response Format

Bit	Bitfield Name	RW	Reset	Description
[31..8]	Rsvd	R	0x0	Reserved
[7]	LForm	R	0x0	Connection list uses short-form (7-bit) NID entries.
[6..0]	ConL	R	0x01	Number of NID entries in connection list.

**6.33.3. InPort1Vol InAmpRight****Table 496. InPort1Vol InAmpRight Command Verb Format**

	Verb ID	Payload	Response
<b>Get</b>	B00	00	See bitfield table.
<b>Set1</b>	350	See bits [7:0] of bitfield table.	0000_0000h

**Table 497. InPort1Vol InAmpRight Command Response Format**

Bit	Bitfield Name	RW	Reset	Description
[31.:4]	Rsvd1	R	0x0	Reserved
[3.:0]	Gain	RW	0x0	Amplifier gain step number

**6.33.4. InPort1Vol InAmpLeft****Table 498. InPort1Vol InAmpLeft Command Verb Format**

	Verb ID	Payload	Response
<b>Get</b>	B20	00	See bitfield table.
<b>Set1</b>	360	See bits [7:0] of bitfield table.	0000_0000h

**Table 499. InPort1Vol InAmpLeft Command Response Format**

Bit	Bitfield Name	RW	Reset	Description
[31.:4]	Rsvd1	R	0x0	Reserved
[3.:0]	Gain	RW	0x0	Amplifier gain step number

**6.33.5. InPort1Vol ConLstEntry****Table 500. InPort1Vol ConLstEntry Command Verb Format**

	Verb ID	Payload	Response
<b>Get</b>	F02	00	See bitfield table.

Table 501. InPort1Vol ConLstEntry Command Response Format

Bit	Bitfield Name	RW	Reset	Description
[31..24]	ConL3	R	0x00	No Connection
[23..16]	ConL2	R	0x00	No Connection
[15..8]	ConL1	R	0x00	No Connection
[7..0]	ConL0	R	0x16	InPort1Mux widget

## 6.34. InPort2Vol Node (NID = 0x1A)

### 6.34.1. InPort2Vol WCap

Table 502. InPort2Vol WCap Command Verb Format

	Verb ID	Payload	Response
Get	F00	09	See bitfield table.

Table 503. InPort2Vol WCap Command Response Format

Bit	Bitfield Name	RW	Reset	Description
[31..24]	Rsvd2	R	0x0	Reserved
[23..20]	Type	R	0x3	Widget type = Audio Selector
[19..16]	Delay	R	0x0	Number of sample delays through widget
[15..12]	Rsvd1	R	0x0	Reserved
[11]	SwapCap	R	0x0	No left/right channel swap capability
[10]	PwrCntrl	R	0x0	No support for Power State control
[9]	Dig	R	0x0	Widget supports an Analog stream
[8]	ConnList	R	0x1	Connection list is present
[7]	UnSolCap	R	0x0	No support for Unsolicited Response
[6]	ProcWidget	R	0x0	No Processing Controls parameter.
[5]	Stripe	R	0x0	No support for striping

Table 503. InPort2Vol WCap Command Response Format

Bit	Bitfield Name	RW	Reset	Description
[4]	FormatOvrd	R	0x0	No format info; use default format parameters from Audio Function node instead
[3]	AmpParOvrd	R	0x0	No amplifier info; use default amplifier parameters from Audio Function node instead
[2]	OutAmpPrsnt	R	0x0	No output amp
[1]	InAmpPrsnt	R	0x1	input amp is present
[0]	Stereo	R	0x1	Stereo widget

### 6.34.2. InPort2Vol ConLst

Table 504. InPort2Vol ConLst Command Verb Format

	Verb ID	Payload	Response
<b>Get</b>	F00	0E	See bitfield table.

Table 505. InPort2Vol ConLst Command Response Format

Bit	Bitfield Name	RW	Reset	Description
[31..8]	Rsvd	R	0x0	Reserved
[7]	LForm	R	0x0	Connection list uses short-form (7-bit) NID entries.
[6.:0]	ConL	R	0x01	Number of NID entries in connection list.

### 6.34.3. InPort2Vol InAmpRight

Table 506. InPort2Vol InAmpRight Command Verb Format

	Verb ID	Payload	Response
<b>Get</b>	B00	00	See bitfield table.
<b>Set1</b>	350	See bits [7:0] of bitfield table.	0000_0000h

Table 507. InPort2Vol InAmpRight Command Response Format

Bit	Bitfield Name	RW	Reset	Description
[31.:4]	Rsvd1	R	0x0	Reserved
[3.:0]	Gain	RW	0x0	Amplifier gain step number

#### 6.34.4. InPort2Vol InAmpLeft

Table 508. InPort2Vol InAmpLeft Command Verb Format

	Verb ID	Payload	Response
<b>Get</b>	B20	00	See bitfield table.
<b>Set1</b>	360	See bits [7:0] of bitfield table.	0000_0000h

Table 509. InPort2Vol InAmpLeft Command Response Format

Bit	Bitfield Name	RW	Reset	Description
[31.:4]	Rsvd1	R	0x0	Reserved
[3.:0]	Gain	RW	0x0	Amplifier gain step number

#### 6.34.5. InPort2Vol ConLstEntry

Table 510. InPort2Vol ConLstEntry Command Verb Format

	Verb ID	Payload	Response
<b>Get</b>	F02	00	See bitfield table.

Table 511. InPort2Vol ConLstEntry Command Response Format

Bit	Bitfield Name	RW	Reset	Description
[31.:24]	ConL3	R	0x00	No Connection
[23.:16]	ConL2	R	0x00	No Connection
[15.:8]	ConL1	R	0x00	No Connection
[7.:0]	ConL0	R	0x17	InPort2Mux widget

## 6.35. ADC0Mux Node (NID = 0x1B)

### 6.35.1. ADC0Mux WCap

Table 512. ADC0Mux WCap Command Verb Format

	Verb ID	Payload	Response
Get	F00	09	See bitfield table.

Table 513. ADC0Mux WCap Command Response Format

Bit	Bitfield Name	RW	Reset	Description
[31..24]	Rsvd2	R	0x0	Reserved
[23..20]	Type	R	0x3	Widget type = Audio Selector
[19..16]	Delay	R	0x0	Number of sample delays through widget
[15..12]	Rsvd1	R	0x0	Reserved
[11]	SwapCap	R	0x1	Left and right channels can be swapped
[10]	PwrCntrl	R	0x0	No support for Power State control
[9]	DigitalStrm	R	0x0	Widget supports an Analog stream
[8]	ConnList	R	0x1	Connection list is present
[7]	UnsolCap	R	0x0	No support for Unsolicited Response
[6]	ProcWidget	R	0x0	No Processing Controls parameter.
[5]	Stripe	R	0x0	No support for striping
[4]	FormatOvrd	R	0x0	No format info; use default format parameters from Audio Function node instead
[3]	AmpParamOvrd	R	0x1	This widget contains its own amplifier parameters.
[2]	OutAmpPrsnt	R	0x1	Output amp is present
[1]	InAmpPrsnt	R	0x0	No input amp
[0]	Stereo	R	0x1	Stereo widget

**6.35.2. ADC0Mux ConLst****Table 514. ADC0Mux ConLst Command Verb Format**

	Verb ID	Payload	Response
<b>Get</b>	F00	0E	See bitfield table.

**Table 515. ADC0Mux ConLst Command Response Format**

Bit	Bitfield Name	RW	Reset	Description
[31.:8]	Rsvd	R	0x0	Reserved
[7]	LForm	R	0x0	Connection list uses short-form (7-bit) NID entries.
[6.:0]	ConL	R	0x03= Enabled 0x01= Disabled	Number of NID entries in connection list.

**6.35.3. ADC0Mux ConSelectCtrl****Table 516. ADC0Mux ConSelectCtrl Command Verb Format**

	Verb ID	Payload	Response
<b>Get</b>	F01	00	See bitfield table.
<b>Set1</b>	701	See bits [7:0] of bitfield table.	0000_0000h

**Table 517. ADC0Mux ConSelectCtrl Command Response Format**

Bit	Bitfield Name	RW	Reset	Description
[31.:2]	Rsvd	R	0x0	Reserved
[1.:0]	Index	RW	0x0	Connection select control index.

**6.35.4. ADC0Mux ConLstEntry****Table 518. ADC0Mux ConLstEntry Command Verb Format**

	Verb ID	Payload	Response
<b>Get</b>	F02	00	See bitfield table.



Table 519. ADC0Mux ConLstEntry Command Response Format

Bit	Bitfield Name	RW	Reset	Description
[31..:24]	ConL3	R	0x00	No connection
[23..:16]	ConL2	R	0x14= Enabled 0x00= Disabled	DMic1 pin widget
[15..:8]	ConL1	R	0x13= Enabled 0x00= Disabled	DMic0 pin widget
[7..:0]	ConL0	R	0x18	InPort0Vol widget

### 6.35.5. ADC0Mux LR

Table 520. ADC0Mux LR Command Verb Format

	Verb ID	Payload	Response
<b>Get</b>	F0C	00	See bitfield table.
<b>Set1</b>	70C	See bits [7:0] of bitfield table.	0000_0000h

Table 521. ADC0Mux LR Command Response Format

Bit	Bitfield Name	RW	Reset	Description
[31..:3]	Rsvd2	R	0x0	Reserved
[2]	SwapEn	RW	0x0	1= swap left and right channels of this Widget.
[1..:0]	Rsvd1	R	0x0	Reserved

### 6.35.6. ADC0Mux OutAmpCap

Table 522. ADC0Mux OutAmpCap Command Verb Format

	Verb ID	Payload	Response
<b>Get</b>	F00	12	See bitfield table.

Table 523. ADC0Mux OutAmpCap Command Response Format

Bit	Bitfield Name	RW	Reset	Description
[31]	Mute	R	0x1	Amplifier is capable of muting
[30.:23]	Rsvd3	R	0x0	Reserved
[22.:16]	StepSize	R	0x00	Size of each step in the gain range, N/A since there are no steps
[15]	Rsvd2	R	0x0	Reserved
[14.:8]	NumSteps	R	0x00	No steps, gain is fixed at 0dB
[7]	Rsvd1	R	0x0	Reserved
[6.:0]	Offset	R	0x00	0dB-step is programmed with this offset

### 6.35.7. ADC0Mux OutAmpRight

Table 524. ADC0Mux OutAmpRight Command Verb Format

	Verb ID	Payload	Response
<b>Get</b>	B80	00	See bitfield table.
<b>Set1</b>	390	See bits [7:0] of bitfield table.	0000_0000h

Table 525. ADC0Mux OutAmpRight Command Response Format

Bit	Bitfield Name	RW	Reset	Description
[31.:8]	Rsvd2	R	0x0	Reserved
[7]	Mute	RW	0x1	1= mute is active
[6.:0]	Rsvd1	R	0x0	Reserved

### 6.35.8. ADC0Mux OutAmpLeft

Table 526. ADC0Mux OutAmpLeft Command Verb Format

	Verb ID	Payload	Response
<b>Get</b>	BA0	00	See bitfield table.
<b>Set1</b>	3A0	See bits [7:0] of bitfield table.	0000_0000h

Table 527. ADC0Mux OutAmpLeft Command Response Format

Bit	Bitfield Name	RW	Reset	Description
[31..8]	Rsvd2	R	0x0	Reserved
[7]	Mute	RW	0x1	1= mute is active
[6..0]	Rsvd1	R	0x0	Reserved

## 6.36. ADC1Mux Node (NID = 0x1C)

### 6.36.1. ADC1Mux WCap

Table 528. ADC1Mux WCap Command Verb Format

	Verb ID	Payload	Response
Get	F00	09	See bitfield table.

Table 529. ADC1Mux WCap Command Response Format

Bit	Bitfield Name	RW	Reset	Description
[31..24]	Rsvd2	R	0x0	Reserved
[23..20]	Type	R	0x3	Widget type = Audio Selector
[19..16]	Delay	R	0x0	Number of sample delays through widget
[15..12]	Rsvd1	R	0x0	Reserved
[11]	SwapCap	R	0x1	Left and right channels can be swapped
[10]	PwrCntrl	R	0x0	No support for Power State control
[9]	DigitalStrm	R	0x0	Widget supports an Analog stream
[8]	ConnList	R	0x1	Connection list is present
[7]	UnsolCap	R	0x0	No support for Unsolicited Response
[6]	ProcWidget	R	0x0	No Processing Controls parameter.
[5]	Stripe	R	0x0	No support for striping

Table 529. ADC1Mux WCap Command Response Format

Bit	Bitfield Name	RW	Reset	Description
[4]	FormatOvrd	R	0x0	No format info; use default format parameters from Audio Function node instead
[3]	AmpParamOvrd	R	0x1	This widget contains its own amplifier parameters.
[2]	OutAmpPrsnt	R	0x1	Output amp is present
[1]	InAmpPrsnt	R	0x0	No input amp
[0]	Stereo	R	0x1	Stereo widget

### 6.36.2. ADC1Mux ConLst

Table 530. ADC1Mux ConLst Command Verb Format

	Verb ID	Payload	Response
Get	F00	0E	See bitfield table.

Table 531. ADC1Mux ConLst Command Response Format

Bit	Bitfield Name	RW	Reset	Description
[31.:8]	Rsvd	R	0x0	Reserved
[7]	LForm	R	0x0	Connection list uses short-form (7-bit) NID entries.
[6.:0]	ConL	R	0x03 = Enabled 0x01 = Disabled	Number of NID entries in connection list.

### 6.36.3. ADC1Mux ConSelectCtrl

Table 532. ADC1Mux ConSelectCtrl Command Verb Format

	Verb ID	Payload	Response
Get	F01	00	See bitfield table.
Set1	701	See bits [7:0] of bitfield table.	0000_0000h

Table 533. ADC1Mux ConSelectCtrl Command Response Format

Bit	Bitfield Name	RW	Reset	Description
[31..2]	Rsvd	R	0x0	Reserved
[1..0]	Index	RW	0x0	Connection select control index.

#### 6.36.4. ADC1Mux ConLstEntry

Table 534. ADC1Mux ConLstEntry Command Verb Format

	Verb ID	Payload	Response
<b>Get</b>	F02	00	See bitfield table.

Table 535. ADC1Mux ConLstEntry Command Response Format

Bit	Bitfield Name	RW	Reset	Description
[31..24]	ConL3	R	0x00	No connection
[23..16]	ConL2	R	0x14= Enabled 0x0= Disabled	DMic1 pin widget
[15..8]	ConL1	R	0x13= Enabled 0x0= Disabled	DMic0 pin widget
[7..0]	ConL0	R	0x19	InPort1Vol widget

#### 6.36.5. ADC1Mux LR

Table 536. ADC1Mux LR Command Verb Format

	Verb ID	Payload	Response
<b>Get</b>	F0C	00	See bitfield table.
<b>Set1</b>	70C	See bits [7:0] of bitfield table.	0000_0000h

Table 537. ADC1Mux LR Command Response Format

Bit	Bitfield Name	RW	Reset	Description
[31..3]	Rsvd2	R	0x0	Reserved

Table 537. ADC1Mux LR Command Response Format

Bit	Bitfield Name	RW	Reset	Description
[2]	SwapEn	RW	0x0	1= swap left and right channels of this Widget.
[1..0]	Rsvd1	R	0x0	Reserved

### 6.36.6. ADC1Mux OutAmpCap

Table 538. ADC1Mux OutAmpCap Command Verb Format

	Verb ID	Payload	Response
<b>Get</b>	F00	12	See bitfield table.

Table 539. ADC1Mux OutAmpCap Command Response Format

Bit	Bitfield Name	RW	Reset	Description
[31]	Mute	R	0x1	Amplifier is capable of muting
[30..23]	Rsvd3	R	0x0	Reserved
[22..16]	StepSize	R	0x00	Size of each step in the gain range, N/A since there are no steps
[15]	Rsvd2	R	0x0	Reserved
[14..8]	NumSteps	R	0x00	No steps, gain is fixed at 0dB
[7]	Rsvd1	R	0x0	Reserved
[6..0]	Offset	R	0x00	0dB-step is programmed with this offset

### 6.36.7. ADC1Mux OutAmpRight

Table 540. ADC1Mux OutAmpRight Command Verb Format

	Verb ID	Payload	Response
<b>Get</b>	B80	00	See bitfield table.
<b>Set1</b>	390	See bits [7:0] of bitfield table.	0000_0000h

Table 541. ADC1Mux OutAmpRight Command Response Format

Bit	Bitfield Name	RW	Reset	Description
[31.:8]	Rsvd2	R	0x0	Reserved
[7]	Mute	RW	0x1	1= mute is active
[6.:0]	Rsvd1	R	0x0	Reserved

### 6.36.8. ADC1Mux OutAmpLeft

Table 542. ADC1Mux OutAmpLeft Command Verb Format

	Verb ID	Payload	Response
<b>Get</b>	BA0	00	See bitfield table.
<b>Set1</b>	3A0	See bits [7:0] of bitfield table.	0000_0000h

Table 543. ADC1Mux OutAmpLeft Command Response Format

Bit	Bitfield Name	RW	Reset	Description
[31.:8]	Rsvd2	R	0x0	Reserved
[7]	Mute	RW	0x1	1= mute is active
[6.:0]	Rsvd1	R	0x0	Reserved

## 6.37. ADC2Mux Node (NID = 0x1D)

### 6.37.1. ADC2Mux WCap

Table 544. ADC2Mux WCap Command Verb Format

	Verb ID	Payload	Response
<b>Get</b>	F00	09	See bitfield table.

Table 545. ADC2Mux WCap Command Response Format

Bit	Bitfield Name	RW	Reset	Description
[31.:24]	Rsvd2	R	0x0	Reserved
[23.:20]	Type	R	0x3	Widget type = Audio Selector

Table 545. ADC2Mux WCap Command Response Format

Bit	Bitfield Name	RW	Reset	Description
[19..16]	Delay	R	0x0	Number of sample delays through widget
[15..12]	Rsvd1	R	0x0	Reserved
[11]	SwapCap	R	0x1	Left and right channels can be swapped
[10]	PwrCntrl	R	0x0	No support for Power State control
[9]	DigitalStrm	R	0x0	Widget supports an Analog stream
[8]	ConnList	R	0x1	Connection list is present
[7]	UnsolCap	R	0x0	No support for Unsolicited Response
[6]	ProcWidget	R	0x0	No Processing Controls parameter.
[5]	Stripe	R	0x0	No support for striping
[4]	FormatOvrd	R	0x0	No format info; use default format parameters from Audio Function node instead
[3]	AmpParamOvrd	R	0x1	This widget contains its own amplifier parameters.
[2]	OutAmpPrsnt	R	0x1	Output amp is present
[1]	InAmpPrsnt	R	0x0	No input amp
[0]	Stereo	R	0x1	Stereo widget

### 6.37.2. ADC2Mux ConLst

Table 546. ADC2Mux ConLst Command Verb Format

	Verb ID	Payload	Response
Get	F00	0E	See bitfield table.

Table 547. ADC2Mux ConLst Command Response Format

Bit	Bitfield Name	RW	Reset	Description
[31..8]	Rsvd	R	0x0	Reserved



Table 547. ADC2Mux ConLst Command Response Format

Bit	Bitfield Name	RW	Reset	Description
[7]	LForm	R	0x0	Connection list uses short-form (7-bit) NID entries.
[6.:0]	ConL	R	0x03= Enabled 0x1= Disabled	Number of NID entries in connection list.

### 6.37.3. ADC2Mux ConSelectCtrl

Table 548. ADC2Mux ConSelectCtrl Command Verb Format

	Verb ID	Payload	Response
<b>Get</b>	F01	00	See bitfield table.
<b>Set1</b>	701	See bits [7:0] of bitfield table.	0000_0000h

Table 549. ADC2Mux ConSelectCtrl Command Response Format

Bit	Bitfield Name	RW	Reset	Description
[31.:2]	Rsvd	R	0x0	Reserved
[1.:0]	Index	RW	0x0	Connection select control index.

### 6.37.4. ADC2Mux ConLstEntry

Table 550. ADC2Mux ConLstEntry Command Verb Format

	Verb ID	Payload	Response
<b>Get</b>	F02	00	See bitfield table.

Table 551. ADC2Mux ConLstEntry Command Response Format

Bit	Bitfield Name	RW	Reset	Description
[31.:24]	ConL3	R	0x00	No connection
[23.:16]	ConL2	R	0x14= Enabled 0x0= Disabled	DMic1 pin widget
[15.:8]	ConL1	R	0x13= Enabled 0x0= Disabled	DMic0 pin widget
[7.:0]	ConL0	R	0x1A	InPort2Vol widget

### 6.37.5. ADC2Mux LR

Table 552. ADC2Mux LR Command Verb Format

	Verb ID	Payload	Response
Get	F0C	00	See bitfield table.
Set1	70C	See bits [7:0] of bitfield table.	0000_0000h

Table 553. ADC2Mux LR Command Response Format

Bit	Bitfield Name	RW	Reset	Description
[31..3]	Rsvd2	R	0x0	Reserved
[2]	SwapEn	RW	0x0	1= swap left and right channels of this Widget.
[1..0]	Rsvd1	R	0x0	Reserved

### 6.37.6. ADC2Mux OutAmpCap

Table 554. ADC2Mux OutAmpCap Command Verb Format

	Verb ID	Payload	Response
Get	F00	12	See bitfield table.

Table 555. ADC2Mux OutAmpCap Command Response Format

Bit	Bitfield Name	RW	Reset	Description
[31]	Mute	R	0x1	Amplifier is capable of muting
[30..23]	Rsvd3	R	0x0	Reserved
[22..16]	StepSize	R	0x00	Size of each step in the gain range, N/A since there are no steps
[15]	Rsvd2	R	0x0	Reserved
[14..8]	NumSteps	R	0x00	No steps, gain is fixed at 0dB
[7]	Rsvd1	R	0x0	Reserved
[6..0]	Offset	R	0x00	0dB-step is programmed with this offset

**6.37.7. ADC2Mux OutAmpRight****Table 556. ADC2Mux OutAmpRight Command Verb Format**

	Verb ID	Payload	Response
<b>Get</b>	B80	00	See bitfield table.
<b>Set1</b>	390	See bits [7:0] of bitfield table.	0000_0000h

**Table 557. ADC2Mux OutAmpRight Command Response Format**

Bit	Bitfield Name	RW	Reset	Description
[31.:8]	Rsvd2	R	0x0	Reserved
[7]	Mute	RW	0x1	1= mute is active
[6.:0]	Rsvd1	R	0x0	Reserved

**6.37.8. ADC2Mux OutAmpLeft****Table 558. ADC2Mux OutAmpLeft Command Verb Format**

	Verb ID	Payload	Response
<b>Get</b>	BA0	00	See bitfield table.
<b>Set1</b>	3A0	See bits [7:0] of bitfield table.	0000_0000h

**Table 559. ADC2Mux OutAmpLeft Command Response Format**

Bit	Bitfield Name	RW	Reset	Description
[31.:8]	Rsvd2	R	0x0	Reserved
[7]	Mute	RW	0x1	1= mute is active
[6.:0]	Rsvd1	R	0x0	Reserved

## 7. ORDERING INFORMATION

### 7.1. Part Order Numbers

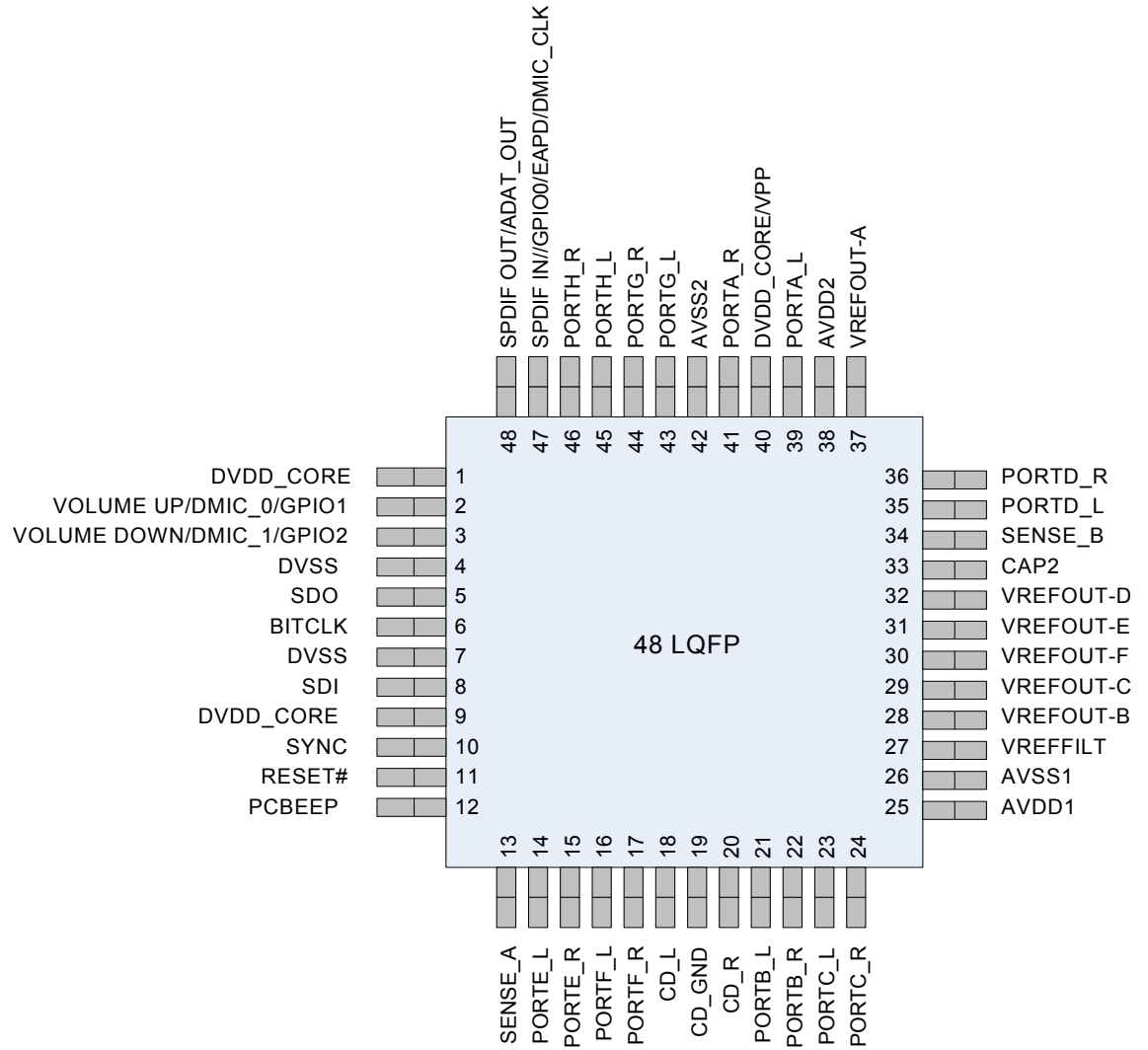
Part Order Number	Voltage	DAC SNR	DigMic	ADAT	Dolby
STAC9274X5TAEyyX	5 V	105dB	Yes(Muxed)	Yes	No
STAC9274D5TAEyyX	5 V	105dB	Yes(Muxed)	Yes	Master Studio
STAC9271X5TAEyyX	5 V	95dB	No	No	No
STAC9271D5TAEyyX	5 V	95dB	No	No	Home Theater/Sound Room

NOTE: When ordering these parts the “yy” will be replaced with the CODEC revision. Add an “R” to the end of any of these part numbers for delivery on Tape and Reel. The minimum order quantity for Tape and Reel is 2,000 units.

## 8. PIN INFORMATION

### 8.1. Pin Diagram

Figure 4. 48-Pin LQFP Pinout



Note: ADAT, DMIC\_CLK, DMIC\_0, and DMIC\_1 are not available on the STAC9271.

## 8.2. Pin Table

Pin Name	Pin Function	I/O	Internal Pull-up/ Pull-down	Pin Location
DVDD_CORE	Digital Vdd = 3.3V	I(Digital)	None	1
Volume Up/DMIC0/GPIO1	Volume Control <u>OR</u> Digital Mic 0 Input/General Purpose I/O	I/O(Digital)	Pull-Up 50 K $\Omega$ with Volume, GPIO or Pull-down 50 K $\Omega$ with Digital Mic	2
Volume Down/DMIC1/GPIO2	Volume Control <u>OR</u> Digital Mic 1 Input/General Purpose I/O	I/O(Digital)	Pull-Up 50 K $\Omega$ with Volume, GPIO or Pull-down 50 K $\Omega$ with Digital Mic	3
DVSS	Digital Ground	I(Digital)	None	4
SDATA_OUT	HD Audio Serial Data output (inbound stream)	I/O(Digital)	None	5
BIT_CLK	HD Audio Bit Clock	I(Digital)	None	6
DVSS3	Digital Ground	I(Digital)	None	7
SDATA_IN	HD Audio Serial Data (outbound stream)	O(Digital)	None	8
DVDD_CORE	Digital Vdd = 3.3V	I(Digital)	None	9
SYNC	HD Audio Frame Sync	I(Digital)	None	10
RESET#	HD Audio Reset	I(Digital)	None	11
PCBEEP	PC BEEP	I(Analog)	None	12
SENSE_A	Jack insertion detection Ports A, B, C, D	I(Analog)	None	13
PORT-E_L	Input/Output of Left DAC2	I/O(Analog)	None	14
PORT-E_R	Input/Output of Right DAC2	I/O(Analog)	None	15
PORT-F_L	Input/Output of Left DAC3	I/O(Analog)	None	16
PORT-F_R)	Input/Output of Right DAC3	I/O(Analog)	None	17
CD-L	CD Audio Left Channel	I(Analog)	None	18
CD-GND	CD Audio Analog Ground	I(Analog)	None	19
CD-R	CD Audio Right Channel	I(Analog)	None	20
PORT-B_L (HP)	Input/Output of Left DAC0, 3, 4	I/O(Analog)	None	21
PORT-B_R (HP)	Input/Output of Right DAC0, 3, 4	I/O(Analog)	None	22
PORT-C_L	Input/Output of Left DAC1	I/O(Analog)	None	23
PORT-C_R	Input/Output of Right DAC1	I/O(Analog)	None	24
AVDD1	Analog Vdd = 3.3V to 5V	I(Analog)	None	25

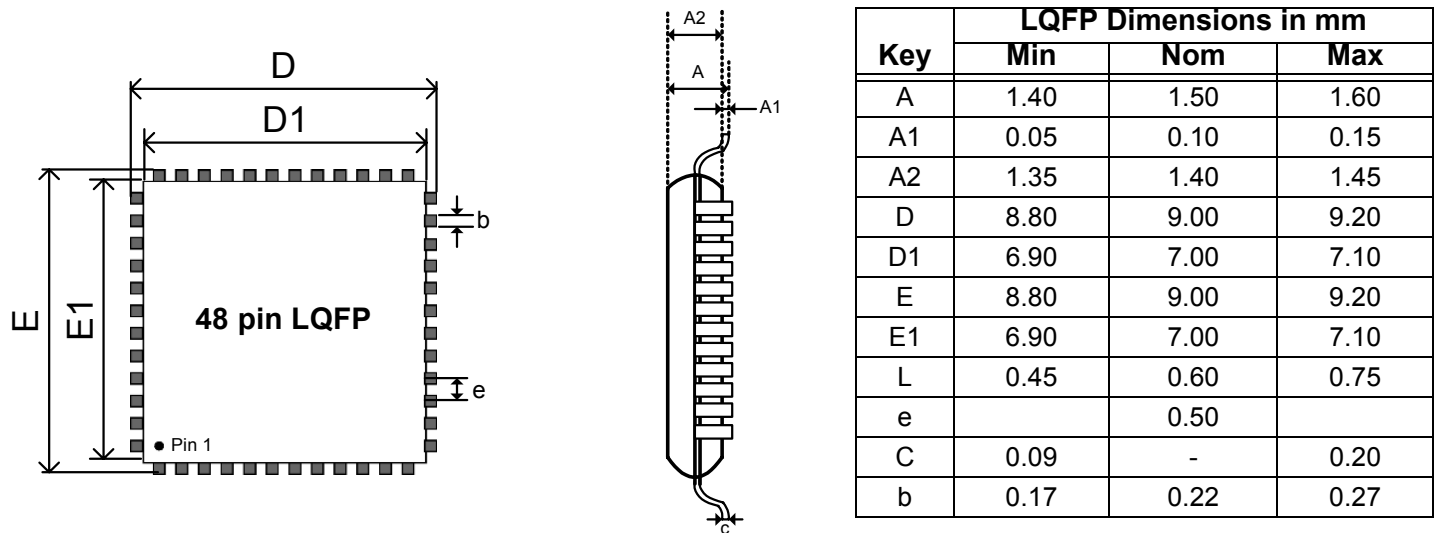
Pin Name	Pin Function	I/O	Internal Pull-up/ Pull-down	Pin Location
AVSS1	Analog Ground	I(Analog)	None	26
VREF FILT	Analog Virtual Ground	O(Analog)	None	27
VREFOUT-B	Reference Voltage out drive (intended for mic bias) for Port B	O(Analog)	None	28
VREFOUT-C	Reference Voltage out drive (intended for mic bias) for Port C	O(Analog)	None	29
VREFOUT-F	Reference Voltage out drive (intended for mic bias) for Port F	O(Analog)	None	30
VREFOUT-E	Reference Voltage out drive (intended for mic bias) for Port E	O(Analog)	None	31
VREFOUT-D	Reference Voltage out drive (intended for mic bias) for Port D	O(Analog)	None	32
CAP2	ADC reference Cap	O(Analog)	None	33
SENSE_B	Jack insertion detection Ports E, F, G, H	I(Analog)	None	34
PORT-D_L (HP)	Input/Output of Left DAC0	I/O(Analog)	None	35
PORT-D_R (HP)	Input/Output of Right DAC0	I/O(Analog)	None	36
VREFOUT-A	Reference Voltage out drive (ntended for mic bias) for Port A	O(Analog)	None	37
AVDD2	Analog Vdd = 3.3 V to 5 V	I(Analog)	None	38
PORT-A_L (HP)	Input/Output of Left DAC0, 3, 4	I/O(Analog)	None	39
DVDD_CORE	Digital Vdd= 3.3V	I(Analog)	None	40
PORT-A_R (HP)	Input/Output of Right DAC0, 3, 4	I/O(Analog)	None	41
AVSS3	Analog Ground	I(Analog)	None	42
PORT-G_L	Input/Output of Left DAC2	I/O(Analog)	None	43
PORT-G_R	Input/Output of Right DAC2	I/O(Analog)	None	44
PORT-H_L	Input/Output of Left DAC1	I/O(Analog)	None	45
PORT-H_R	Input/Output of Right DAC1	I/O(Analog)	None	46
SPDIFIN/GPIO0/EAPD/DMIC_CLK	SPDIF Input, General Purpose I/O, EAPD, Digital Mic Ouput Clock	I/O(Digital)	Pull-up 50 K $\Omega$ or more	47
S/PDIF-OUT/ADAT_OUT	SPDIF digital output (50 K $\Omega$ internal pull-down), ADAT Output on STAC9274 only	O(Digital)	50 K $\Omega$ internal pull-down	48

## 9. PACKAGE OUTLINE AND PACKAGE DIMENSIONS

Package dimensions are kept current with JEDEC Publication No. 95

### 9.1. 48-Pin LQFP

Figure 5. 48-Pin LQFP Package Outline and Package Dimensions





## 10. SOLDER REFLOW PROFILE

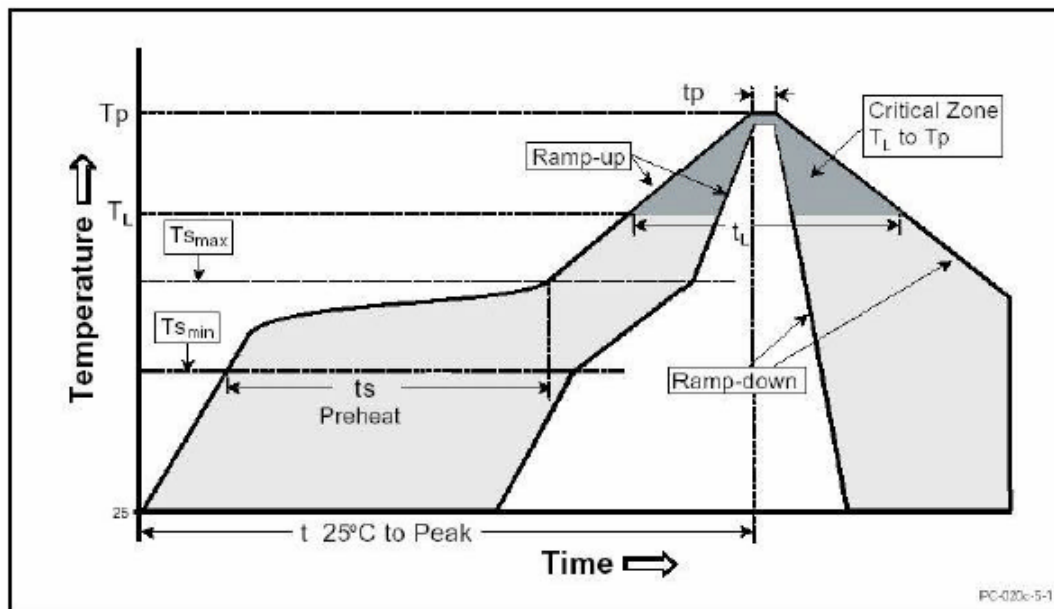
### 10.1. Standard Reflow Profile Data

Note: These devices can be hand soldered at 360 °C for 3 to 5 seconds.

**FROM:** IPC / JEDEC J-STD-020C "Moisture/Reflow Sensitivity Classification for Nonhermetic Solid State Surface Mount Devices" ([www.jedec.org/download](http://www.jedec.org/download)).

Profile Feature	Pb Free Assembly
Average Ramp-Up Rate ( $T_{s_{max}} - T_p$ )	3 °C / second max
Preheat Temperature Min ( $T_{s_{min}}$ ) Temperature Max ( $T_{s_{max}}$ ) Time ( $t_{s_{min}} - t_{s_{max}}$ )	150 °C 200 °C 60 - 180 seconds
Time maintained above Temperature ( $T_L$ ) Time ( $t_L$ )	217 °C 60 - 150 seconds
Peak / Classification Temperature ( $T_p$ )	See "Package Classification Reflow Temperatures" on page 226.
Time within 5 °C of actual Peak Temperature ( $t_p$ )	20 - 40 seconds
Ramp-Down rate	6 °C / second max
Time 25 °C to Peak Temperature	8 minutes max
<b>Note: All temperatures refer to topside of the package, measured on the package body surface.</b>	

Figure 6. Reflow Profile



## 10.2. Pb Free Process - Package Classification Reflow Temperatures

Package Type	MSL	Reflow Temperature
LQFP 48-pin	3	260 °C*

**11. REVISION HISTORY**

Revision	Date	Description of Change
0.3	July 2005	Initial release.
0.5	August 2005	Updated Pin Outs and Pin Tables, Added Updated performance tables to show all voltage options, Updated Diagrams, Added Widget Diagram, Added Pin Configuration Default Register Settings Table, Added Part Numbers. Added 56-QFN Reflow Profile Information. Added Widget Information. Updated ESD Information. Added 40dB Boost Information.
0.7	May 2006	Updated logo. Added ADAT logo. Added Audio Jack Presence Detect section. Updated Power Consumption numbers.
0.82	8 October 2006	Initial release in IDT format.
1.0	March 2007	Removed 56QFN option for the STAC9274. Corrected the missing "X" at the end of the orderable part numbers.
1.1	January 2008	Removed STAC9272 and STAC9273 as EOL issued.

Innovate with IDT audio for high fidelity. Contact:

**www.IDT.com**

**For Sales**

800-345-7015  
408-284-8200  
Fax: 408-284-2775

**For Tech Support**

[HA.CM@idt.com](mailto:HA.CM@idt.com)

---

**Corporate Headquarters**

Integrated Device Technology, Inc.  
6024 Silver Creek Valley Road  
San Jose, CA 95138  
United States  
800 345 7015  
+408 284 8200 (outside U.S.)

**Europe**

IDT Europe, Limited  
Prime House  
Barnett Wood Lane  
Leatherhead, Surrey  
United Kingdom KT22 7DE  
+44 1372 363 339

