

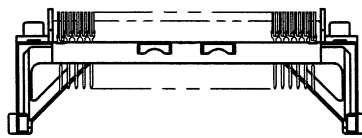
PCMCIA

Series 5027

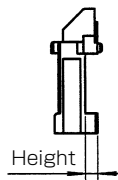
極数 (No. of Pos.)	68, 136
極間隔 (Pitch)	1.27mm
定格電流 (Current)	0.5A Max.
定格電圧 (Voltage)	5V Max.
耐電圧 (D.W.Voltage)	500Vrms/min.

市場の薄型タイプの要望に応えた、小型軽量SMTタイプICカード用コネクタです。
 高さ5.0mm、重さ10g以下（シングルイジェクタ機構付き）の軽量化を実現。
 デュアルタイプは、高さを抑える並列2ヶ置きタイプ。
 イジェクタ機構有/無しの選択が可能です。PCMCIA TYPE I、II、IIIに適合します。

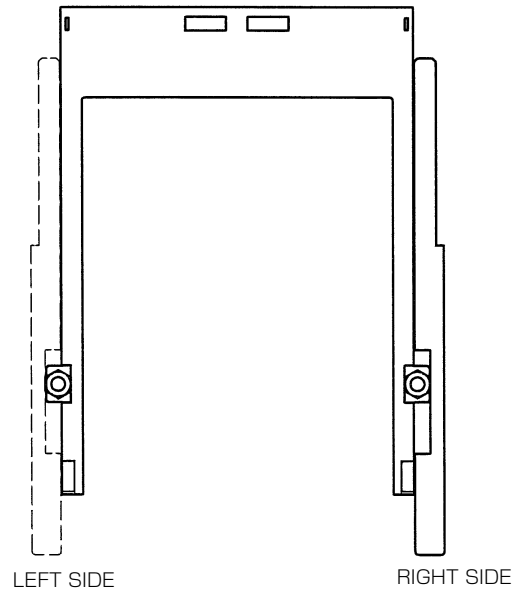
Series 5027 is the small and SMT type PCMCIA header which conforms to PCMCIA specification. Profile height is 5.0mm, weight is under 10grams (with single ejector mechanism) the lightest in this industry.
 Dual type is 2pieces, side-by-side configuration and you can choose "With Ejector type" or "Without Ejector type". Also available 2.2mm stand off.
 Header connector keying is available 3.3V or 5.0V also normal and reverse.



Connector



Height



LEFT SIDE

RIGHT SIDE

Ejector

Stand off / KEYING	Button side	Connector	Ejector
Height=0, 5V, Normal	Left side	3X 5027 068 010 871+	30 5027 000 001 000 +
	Right side	3X 5027 068 010 871+	30 5027 000 002 000 +
Height=0, 5V, Reverse	Left side	3X 5027 068 020 871+	30 5027 000 001 000 +
	Right side	3X 5027 068 020 871+	30 5027 000 002 000 +
Height=0, 3.3V, Normal	Left side	3X 5027 068 030 871+	30 5027 000 001 000 +
	Right side	3X 5027 068 030 871+	30 5027 000 002 000 +
Height=0, 3.3V, Reverse	Left side	3X 5027 068 040 871+	30 5027 000 001 000 +
	Right side	3X 5027 068 040 871+	30 5027 000 002 000 +
Height=2.2, 5V, Normal	Left side	3X 5027 068 215 871+	30 5027 000 101 000 +
	Right side	3X 5027 068 215 871+	30 5027 000 102 000 +
Height=2.2, 5V, Reverse	Left side	3X 5027 068 225 871+	30 5027 000 101 000 +
	Right side	3X 5027 068 225 871+	30 5027 000 102 000 +
Height=2.2, 3.3V, Normal	Left side	3X 5027 068 235 871+	30 5027 000 101 000 +
	Right side	3X 5027 068 235 871+	30 5027 000 102 000 +
Height=2.2, 3.3V, Reverse	Left side	3X 5027 068 240 871+	30 5027 000 101 000 +
	Right side	3X 5027 068 240 871+	30 5027 000 102 000 +
Height=5.2, 5V, Normal	Without	3X 5027 068 515 856+	30 5027 000 500 000 +
Height=0, 3.3V, Reverse	Left side	3X 5027 068 540 831+	30 5027 000 001 000 +
	Right side	3X 5027 068 540 831+	30 5027 000 002 000 +

1: 吸着クリップ無し (Without vacuum clip)
 5: 吸着クリップ付き (With vacuum clip)

PCMCIA

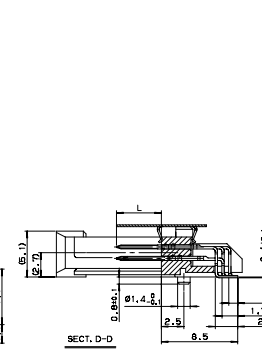
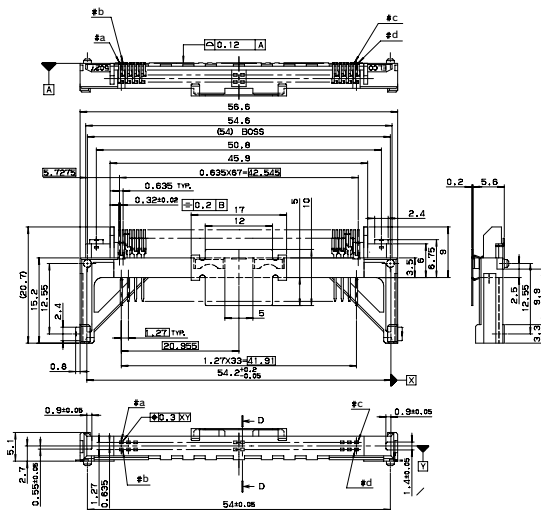
SERIES

5027

Stand off H=0mm

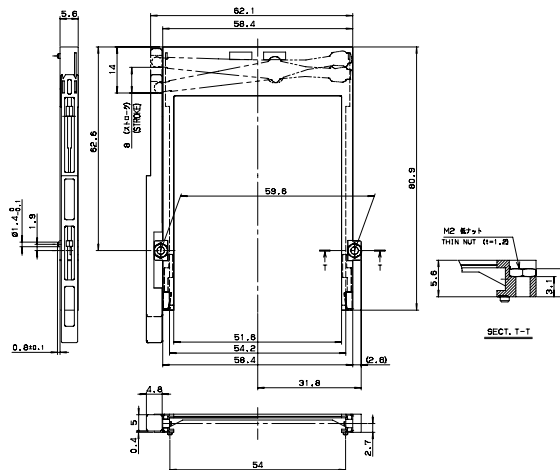
● Connector

● Ejector

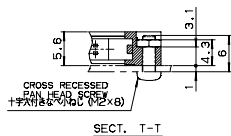
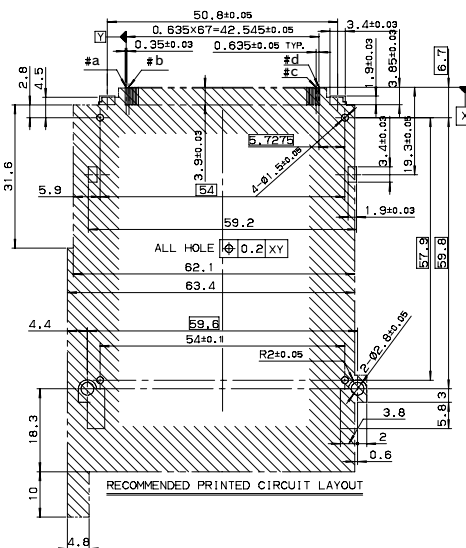
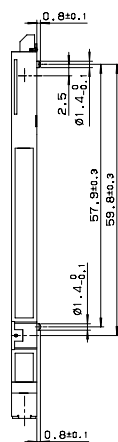
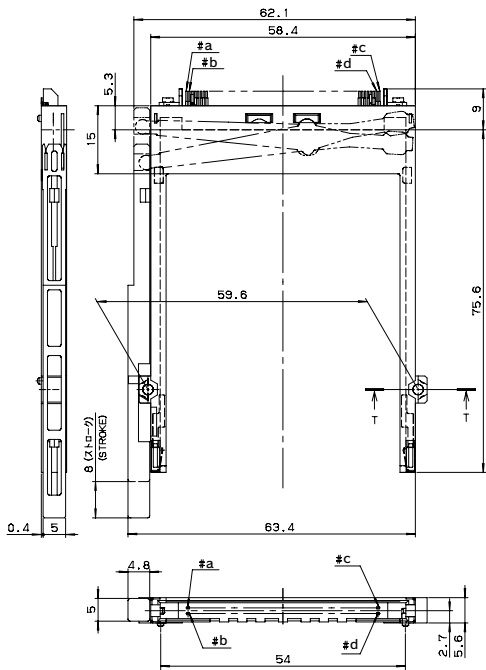


PIN. NO. (#)	L40.1
1, 17, 34, 35, 51, 68	S, 0
36, 67	3, 5
OTHER	4, 25

	Normal	Reverse
#a	1	68
#b	35	34
#c	34	35
#d	68	1



● Assembly



注文コード ORDERING CODE

Connector **3X 5027 068 XXX 871 +**

- 1 : 吸着クリップ無し (Without vacuum clip)
- 5 : 吸着クリップ付き (With vacuum clip)

- 010 : Normal type 5V
- 020 : Reverse type 5V
- 030 : Normal type 3.3V
- 040 : Reverse type 3.3V

RoHS 対応品
RoHS Compliant Product

Ejector **30 5027 000 XXX 000 +**

- 001 : Left button
- 002 : Right button

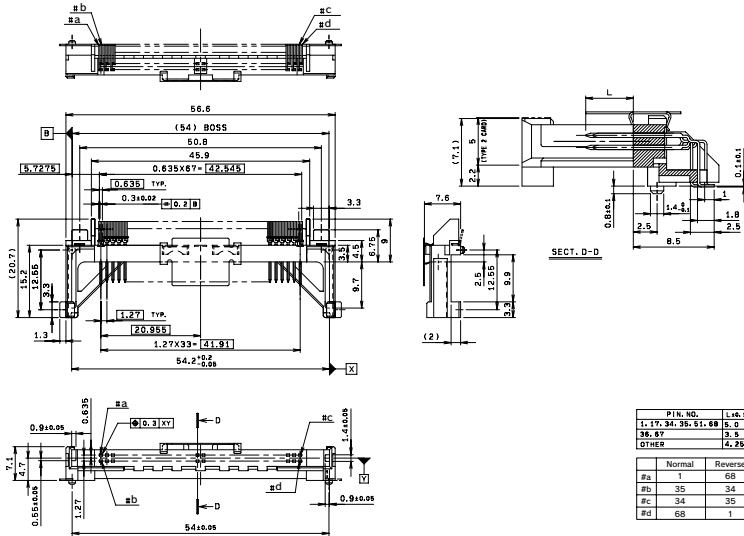
PCMCIA

SERIES

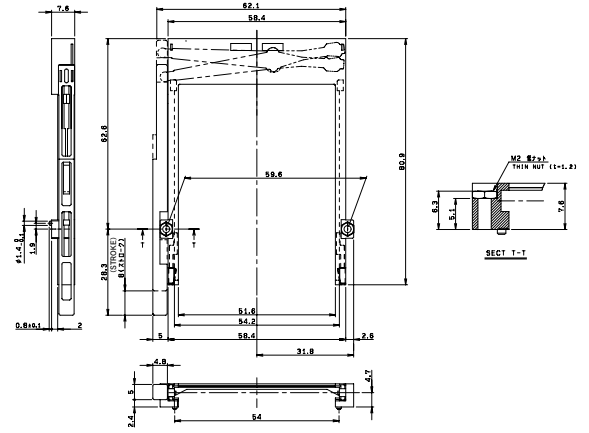
5027

Stand off H=2.2mm

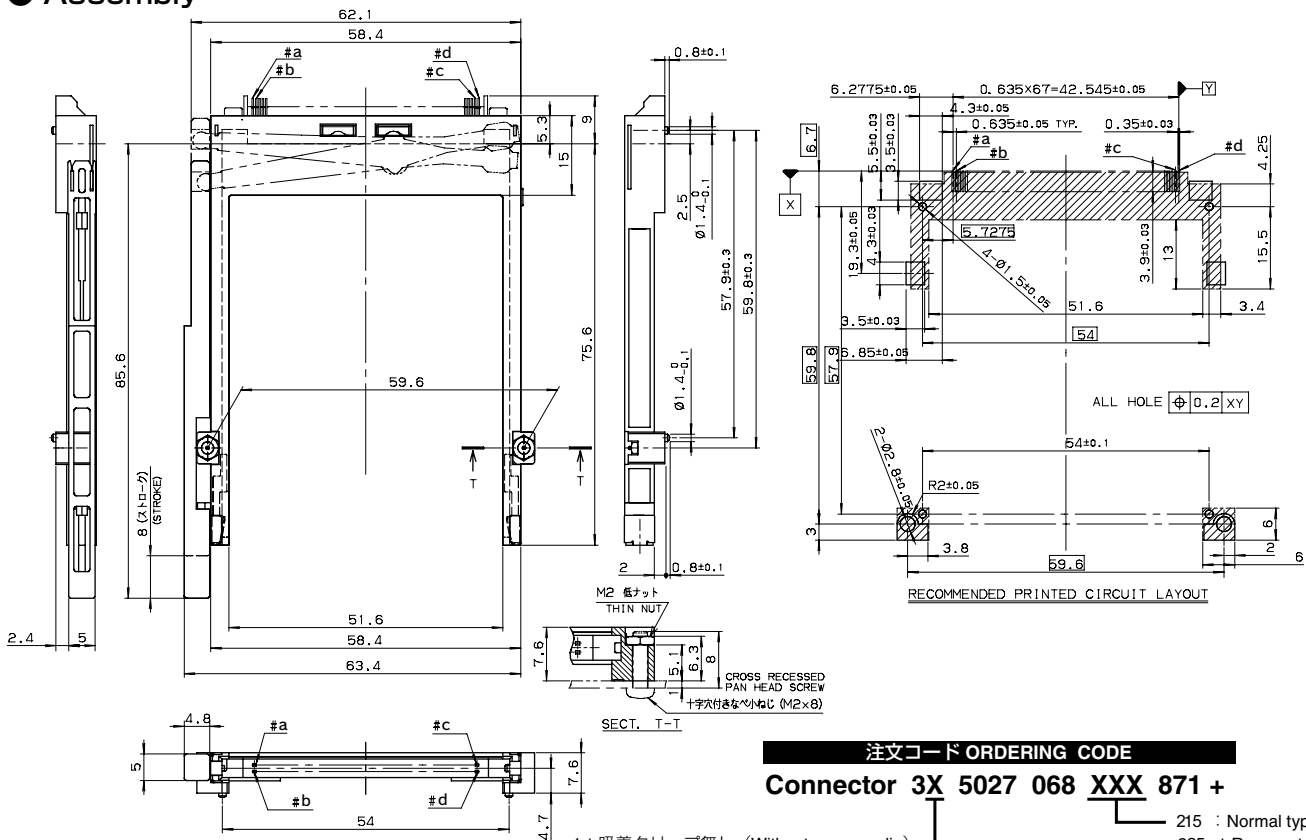
● Connector



● Ejector



● Assembly



注文コード ORDERING CODE

Connector **3X 5027 068 XXX 871 +**

- 1 : 吸着クリップ無し (Without vacuum clip)
- 5 : 吸着クリップ付き (With vacuum clip)
- 215 : Normal type 5V
- 225 : Reverse type 5V
- 235 : Normal type 3.3V
- 245 : Reverse type 3.3V

RoHS 対応品
RoHS Compliant Product

Ejector **30 5027 000 XXX 000 +**

- 101 : Left button
- 102 : Right button

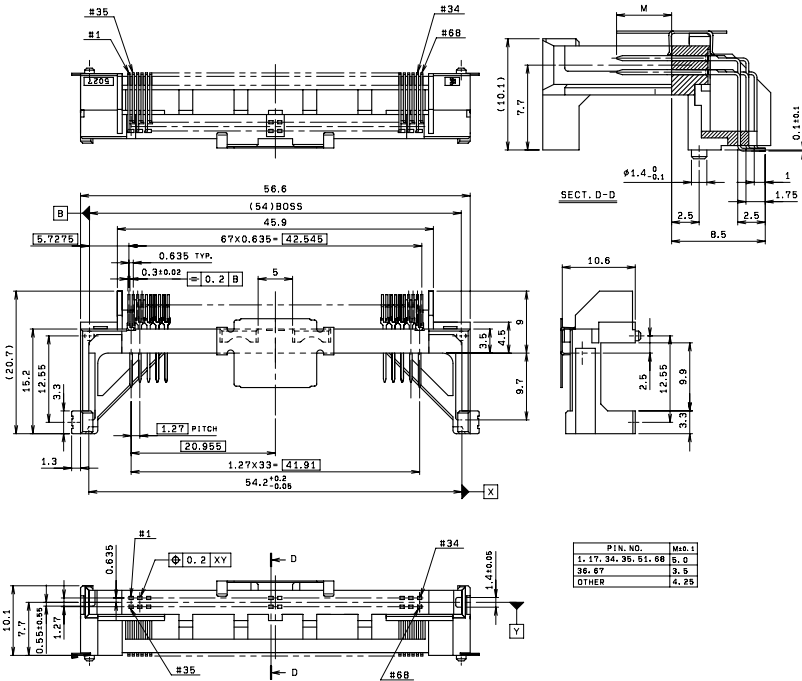
PCMCIA

SERIES

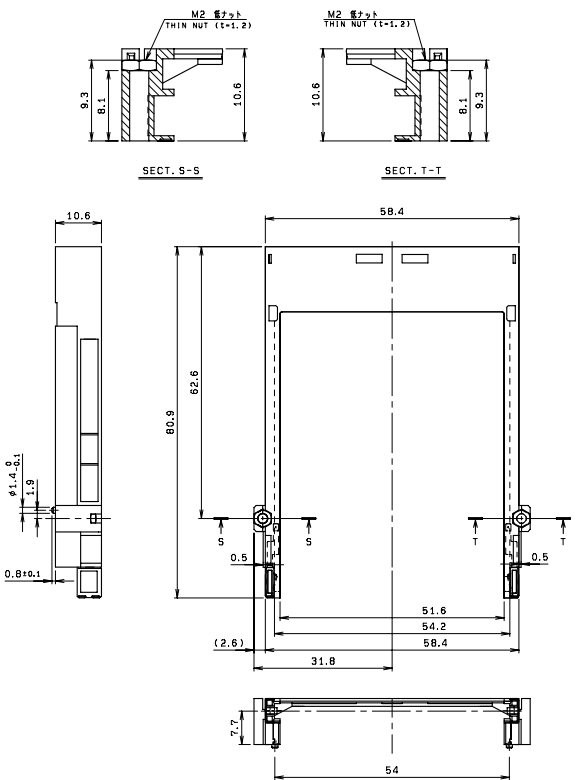
5027

Stand off H=5.2

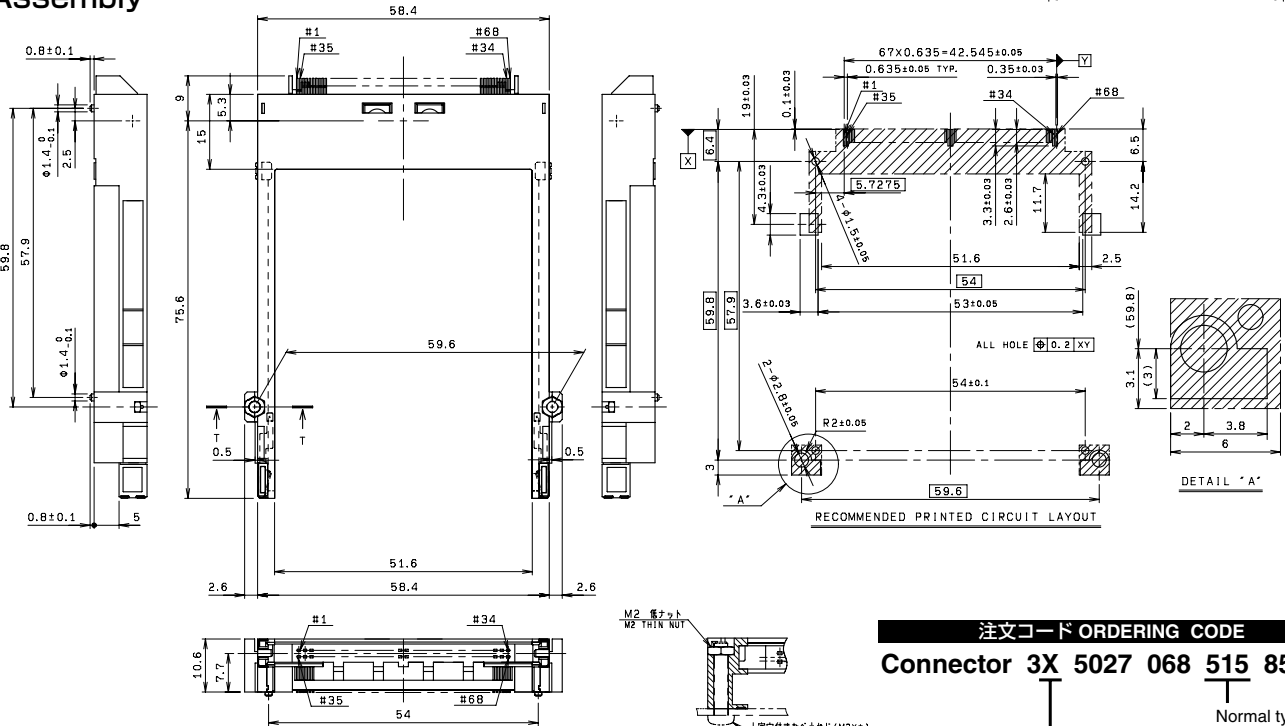
● Connector



● Ejector



● Assembly



注文コード ORDERING CODE

Connector 3X 5027 068 515 856+

Normal type 5V

- 1: 吸着クリップ無し (Without Vacuum clip)
- 5: 吸着クリップ付き (With Vacuum clip)

RoHS 対応品
RoHS Compliant Product

Ejector 30 5027 000 500 000+

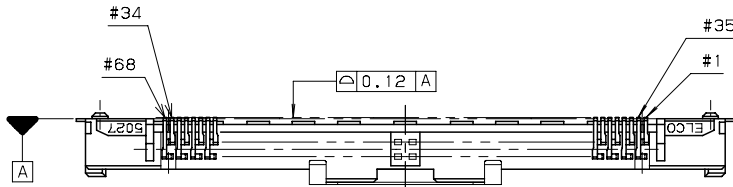
PCMCIA

SERIES

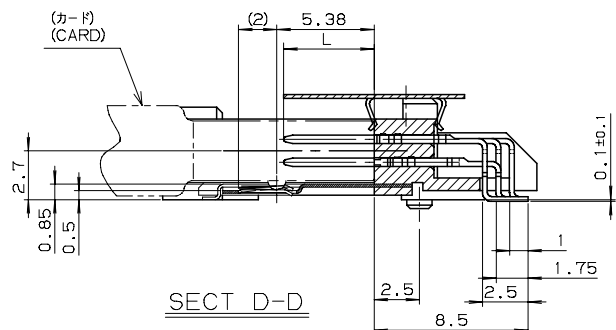
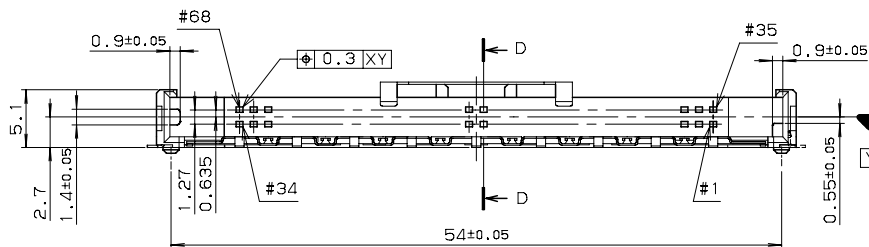
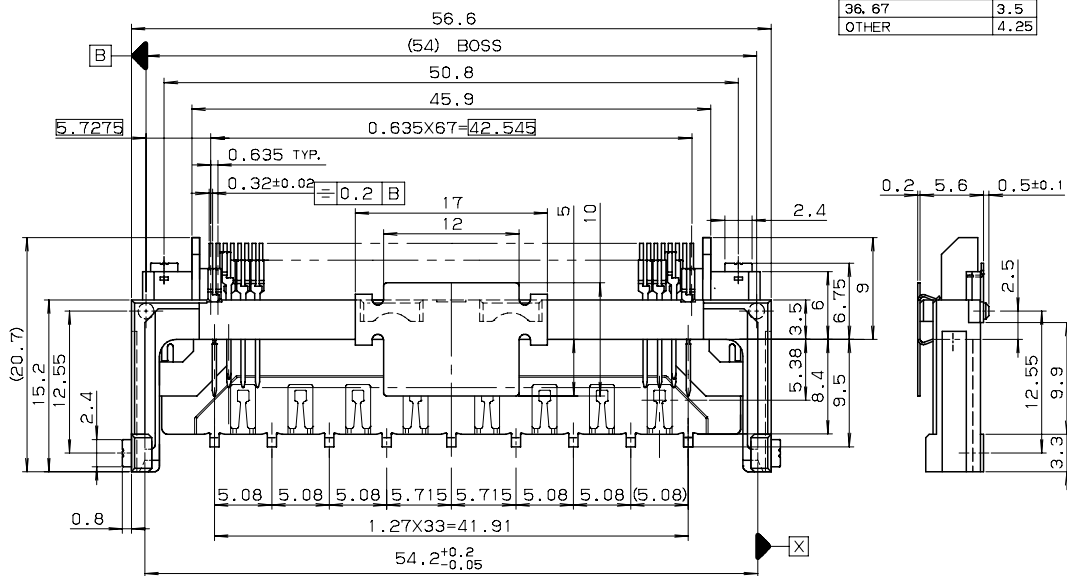
5027

Card bus

● Connector



PIN. NO. (#)	L±0.1
1, 17, 34, 35, 51, 68	5.0
38, 67	3.5
OTHER	4.25



注文コード ORDERING CODE

Connector 3X 5027 068 540 831 +

- 1 : 吸着クリップ無し (Without Vacuum Clip)
- 5 : 吸着クリップ付き (With Vacuum Clip)

RoHS 対応品
RoHS Compliant Product