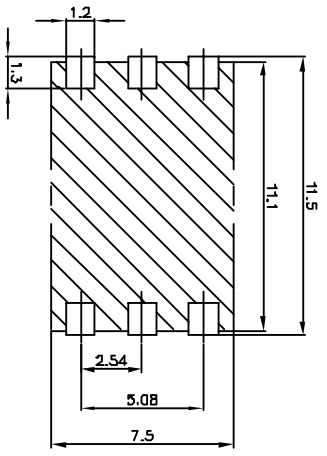
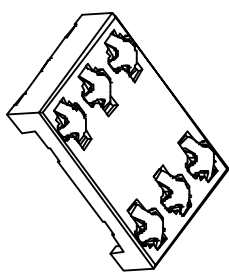
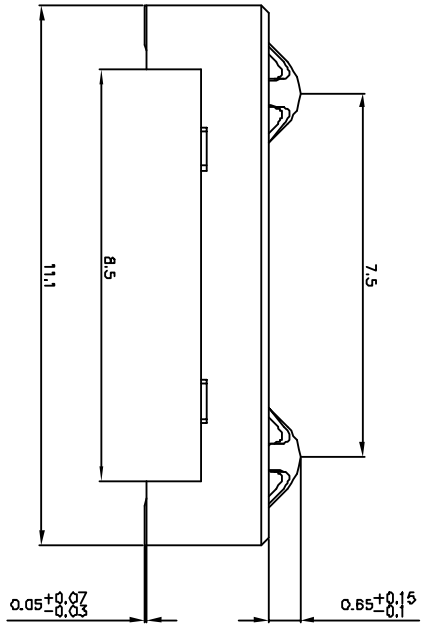
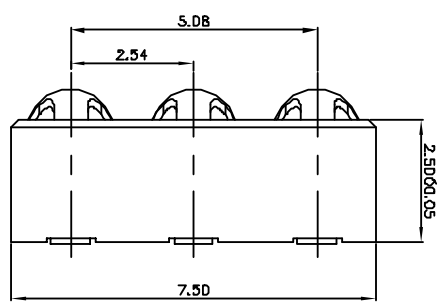
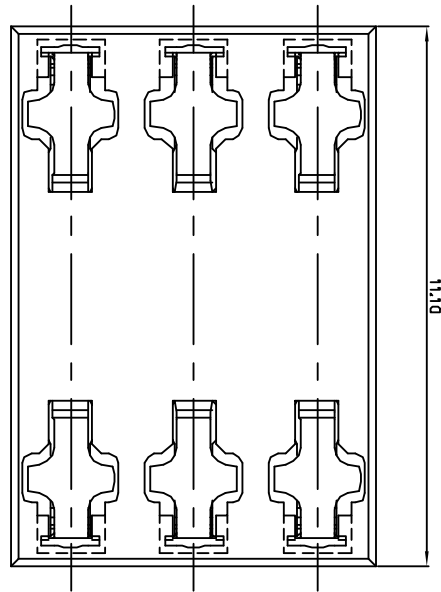


PROD NO  
111A1573-111E

1 | 2



RECOMMENDED PCB LAYOUT; SCALE: 5/1

NOTES:  
1. MATERIAL & FINISH  
INSULATOR: HIGH TEMPERATURE PLASTIC, UL94V-0  
COLOR: BLACK  
CONTACT: COPPER ALLOY,  
PLATING: THE CONTACTING AREA IS PLATED WITH 30µ" GOLD,  
OTHER AREA GOLD FLASH, OVERALL 50µ" NICKEL  
UNDERPLATED.

NOTE: ROHS COMPATIBLE PRODUCT SPECIFICATIONS  
a. PLATING "LF" MEANS THE PRODUCT IS LEAD FREE, GOLD FLASH PLATING OVER 1.27µm MIN.  
NICKEL UNDERPLATE ON SOLDER AREA.  
b. MANUFACTURING PROCESS COMPATIBILITY: THE HOUSING WILL WITHSTAND EXPOSURE TO 260°C ±5°C  
SOLDER BATH TEMPERATURE FOR 10 SECONDS IN IR-REFLOW APPLICATION.

mat'l. code		tolerances unless otherwise specified		CUSTOMER COPY		FCI	
itr	ech. no.	dr	date	linear	angles	product family	code
A	104-0352	JH	9/1/04*	.XX ±.20	0° ±2°	SIM CARD	10040573
B	105-0280	JH	12/12/06*	.XXX ±.05		SIM CARD	10040573
sheet		revision		scale		code	
Index		sheet		N/A		1 of 1	

ACAD

1 | 2

3 |

4

page code  
22526

4