

DESCRIPTION: ABOVE PCB, DECK AND PUSH ROD LOCATION ARE AS VIEW BY USER.

| PRODUCT NO. 71299-XXXX | PUSH-ROD LOCATION | STAND-OFF HEIGHT | Ⓐ HEADER ASSY 71249-XXXX OR 61519-XXXX | Ⓑ MECHANISM ASSY 72336-XXXX | Ⓒ MATING RECEPTACLE | MOUNTING STYLE TO PCB AND PUSH-ROD SIDE |
|---------------------------|----------------------|---------------------|--|-----------------------------------|--|---|
| 000CA | RIGHT | 0.0 | 0000 | 72336-000CA | 100 POSITION (2X50) 0.8mm RECEPTACLE PART NO. 73277-101000 PURCHASE SEPARATELY | |
| 020CA | RIGHT | 2.2 | 0022 | 72336-022CA | | |
| 040CA | RIGHT | 4.3 | 0043 | 72336-043CA | | |
| 050CA | RIGHT | 5.0 | 0050 | 72336-050CA | | |
| 050FA ② | RIGHT | 5.0 | 0050 | 72336-050FA | | |
| 100CA | LEFT | 0.0 | 0000 | 72336-100CA | | |
| 120CA | LEFT | 2.2 | 0022 | 72336-122CA | | |
| 140CA | LEFT | 4.3 | 0043 | 72336-143CA | | |
| 150CA | LEFT | 5.0 | 0050 | 72336-150CA | | |
| 005CA | RIGHT | 0.0 | 0500 | 72336-000CA | | |
| 025CA | RIGHT | 0.0 | 0522 | 72336-000CA | | |
| 045CA | RIGHT | 0.0 | 0543 | 72336-000CA | | |
| 055CA | RIGHT | 0.0 | 0550 | 72336-000CA | | |
| 105CA | LEFT | 0.0 | 0500 | 72336-100CA | | |
| 125CA | LEFT | 0.0 | 0522 | 72336-100CA | | |
| 145CA | LEFT | 0.0 | 0543 | 72336-100CA | | |
| 155CA | LEFT | 0.0 | 0550 | 72336-100CA | | |

ORDERING INFORMATION

- ORDER:
 1. EJECT HEADER ASSY (71299-XXXX/XXXXLF)
 2. MATING RECEPTACLE (73277-101000/101402LF)

- NOTE:
 1. SEE 71240 FOR DOUBLE-DECK APPLICATIONS.
 2. PUSH BUTTON LENGTH IS 21mm FOR 71299-050FA
 & 71299-050FALF(LEAD-FREE TYPE)

| | | | | | |
|---------------------------------------|--|-----------------------|------------------------------|-------------------------|---|
| mat'l. code | | surface ISO 1302 | tolerance ISO 406 ISO 101 | projection 101 | product family |
| tolerances unless otherwise specified | | .X±.3 | | MM | title CARDBUS SINGLE DECK ASSY SMT TYPE 123 |
| angles linear | | .XX±.13 | | scale:1:1 | |
| ±2' | | .XXX±.051 | | | dwg no 71299 |
| R GRAPE 7/3/96 | | D.BRANN 7/3/96 | | sheet 1 of 1 size A4 | |
| R D.BRANN 7/3/96 | | D.BRANN 7/3/96 | | type CUSTOMER Drawing | |
| sheet index | | revision sheet | | | |
| 1 | | 2 3 4 5 6 7 8 9 10 11 | | | |

PDM: Rev:R

STATUS Released

Printed: Oct 12, 2010 6

FCI CONFIDENTIAL
 FCI
 FCIconnect.com
 This document is the property of and includes CONFIDENTIAL and PROPRIETARY information of FCI. No part of the information herein may be used in any way or disclosed to other parties without the written consent of FCI. Copyright © FCI.

DESCRIPTION: ABOVE PCB, DECK AND PUSH ROD LOCATION ARE AS VIEW BY USER.

| PRODUCT NO. 71299-XXXX | PUSH-ROD LOCATION | STAND-OFF HEIGHT | Ⓐ HEADER ASSY 71249-XXXX OR 61519-XXXX | Ⓑ MECHANISM ASSY 72336-XXXX | Ⓒ MATING RECEPTACLE | MOUNTING STYLE TO PCB AND PUSH-ROD SIDE |
|---------------------------|----------------------|---------------------|--|-----------------------------------|---|---|
| 000CALF | RIGHT | 0.0 | 0000MLF | 72336-000CA | 100 POSITION (2X50) 0.8mm RECEPTACLE PART NO. 73277-101000 OR 73277-101402LF PURCHASE SEPARATELY | |
| 020CALF | RIGHT | 2.2 | 0022MLF | 72336-022CA | | |
| 040CALF | RIGHT | 4.3 | 0043MLF | 72336-043CA | | |
| 050CALF | RIGHT | 5.0 | 0050MLF | 72336-050CA | | |
| 050FALF ② | RIGHT | 5.0 | 0050MLF | 72336-050FA | | |
| 100CALF | LEFT | 0.0 | 0000MLF | 72336-100CA | | |
| 120CALF | LEFT | 2.2 | 0022MLF | 72336-122CA | | |
| 140CALF | LEFT | 4.3 | 0043MLF | 72336-143CA | | |
| 150CALF | LEFT | 5.0 | 0050MLF | 72336-150CA | | |
| 151CALF | LEFT | 5.0 | 0050MLF | 52219-150HAM | | |
| 005CALF | RIGHT | 0.0 | 0500MLF | 72336-000CA | | |
| 025CALF | RIGHT | 0.0 | 0522MLF | 72336-000CA | | |
| 045CALF | RIGHT | 0.0 | 0543MLF | 72336-000CA | | |
| 055CALF | RIGHT | 0.0 | 0550MLF | 72336-000CA | | |
| 105CALF | LEFT | 0.0 | 0500MLF | 72336-100CA | | |
| 125CALF | LEFT | 0.0 | 0522MLF | 72336-100CA | | |
| 145CALF | LEFT | 0.0 | 0543MLF | 72336-100CA | | |
| 155CALF | LEFT | 0.0 | 0550MLF | 72336-100CA | | |
| 156CALF | LEFT | 0.0 | 0550MLF | 52219-100HAM | | |

ORDERING INFORMATION

ORDER:

- EJECT HEADER ASSY (71299-XXXX/XXXXLF)
- MATING RECEPTACLE (73277-101000/101402LF)

NOTE:

- SEE 71240 FOR DOUBLE-DECK APPLICATIONS.
- PUSH BUTTON LENGTH IS 21mm FOR 71299-050FA & 71299-050FALF(LEAD-FREE TYPE)

| | | | | |
|---------------------------------------|---------------------|------------------------------|-------------------|-----------------------|
| mat'l. code | surface ISO 1302 | tolerance ISO 406 ISO 101 | projection 101 | product family |
| lfr | ecr | no | dr | date |
| R | | | | |
| tolerances unless otherwise specified | | | | title |
| angles | linear | .X±.3 | MM | CARBUS SINGLE DECK |
| ±2° | | .XX±.13 | scale:1 | ASSY SMT TYPE 123 |
| dr | R.GRAPE | 7/3/96 | | dwg no |
| enr | D.BRANN | 7/3/96 | | 71299 |
| chr | D.BRANN | 7/3/96 | | sheet 2 of 11 size |
| ppd | D.BRANN | 7/3/96 | | A4 |
| sheet index | revision sheet | | | type CUSTOMER Drawing |

PDM: Rev:R

STATUS: Released

Printed: Oct 12, 2010 6

FCI CONFIDENTIAL

FCI

This document is the property of and includes CONFIDENTIAL and PROPRIETARY information of FCI. No part of the information herein may be used in any way or disclosed to others without the written consent of FCI. Copyright FCI.

form: A3

FCI CONFIDENTIAL

FCI

This document is the property of and includes CONFIDENTIAL and PROPRIETARY information of FCI. No part of the information herein may be used in any way or disclosed to others without the written consent of FCI. Copyright © FCI

form: A3

DESCRIPTION: BELOW PCB, DECK AND PUSH ROD LOCATION ARE AS VIEWED BY USER

| PRODUCT NO. 71299-XXXX | PUSH-ROD LOCATION | STAND-OFF HEIGHT | (A) HEADER ASSY 71249-XXXX | (B) MECHANISM ASSY 72337-XXXX | (C) MATING RECEPTACLE | MOUNTING STYLE TO PCB AND PUSH-ROD SIDE |
|---------------------------|----------------------|---------------------|----------------------------------|-------------------------------------|--|---|
| 520CA | RIGHT | 2.2 | 5022 | 72337-122CA | 100 POSITION (2X50) 0.8mm RECEPTACLE PART NO. 73277-101000 73277-101402LF | |
| 540CA | RIGHT | 4.3 | 5043 | 72337-143CA | | |
| 550CA | RIGHT | 5.0 | 5050 | 72337-150CA | | |
| 520CALF | RIGHT | 2.2 | 5022LF | 72337-122CA | | |
| 540CALF | RIGHT | 4.3 | 5043LF | 72337-143CA | | |
| 550CALF | RIGHT | 5.0 | 5050LF | 72337-150CA | | |
| 620CA | LEFT | 2.2 | 5022 | 72337-022CA | | |
| 640CA | LEFT | 4.3 | 5043 | 72337-043CA | | |
| 650CA | LEFT | 5.0 | 5050 | 72337-050CA | | |
| 620CALF | LEFT | 2.2 | 5022LF | 72337-022CA | | |
| 640CALF | LEFT | 4.3 | 5043LF | 72337-043CA | | |
| 650CALF | LEFT | 5.0 | 5050LF | 72337-050CA | | |
| 525CA | RIGHT | 0.0 | 5522 | 72337-100CA | | |
| 545CA | RIGHT | 0.0 | 5543 | 72337-100CA | | |
| 555CA | RIGHT | 0.0 | 5550 | 72337-100CA | | |
| ① 555DA | RIGHT | 0.0 | 5550 | 72337-100DA | | |
| 525CALF | RIGHT | 0.0 | 5522LF | 72337-100CA | | |
| 545CALF | RIGHT | 0.0 | 5543LF | 72337-100CA | | |
| 555CALF | RIGHT | 0.0 | 5550LF | 72337-100CA | | |
| ① 555DALF | RIGHT | 0.0 | 5550LF | 72337-100DA | | |
| 625CA | LEFT | 0.0 | 5522 | 72337-000CA | | |
| 645CA | LEFT | 0.0 | 5543 | 72337-000CA | | |
| 655CA | LEFT | 0.0 | 5550 | 72337-000CA | | |
| 625CALF | LEFT | 0.0 | 5522LF | 72337-000CA | | |
| 645CALF | LEFT | 0.0 | 5543LF | 72337-000CA | | |
| 655CALF | LEFT | 0.0 | 5550LF | 72337-000CA | | |

ORDERING INFORMATION

ORDER:

- EJECT HEADER ASSY (71299-XXXX/XXXXLF)
- MATING RECEPTACLE (73277-101000/101402LF)

NOTES:

- 555DA HAS 15.6mm PUSH BUTTON RETURN LENGTH INSTEAD OF 13.0mm.
- BELOW P.C.B., 0.0mm STAND-OFF IS NOT AVAILABLE.

| | | | | | |
|-------------|----------------|---------|-----------|------------|-----------------------|
| mat'l. code | | surface | tolerance | projection | product family |
| ISO 1302 | | ISO 406 | ISO 101 | MM | CARBUS SINGLE DECK |
| ltr | ecr | no | dr | date | title |
| R | | | | | ASSY SMT TYPE 123 |
| angles | | linear | .X±.3 | scale:1 | dwg no |
| ±2° | | | .XX±.13 | | 71299 |
| | | | .XXX±.051 | | sheet 3 of 11 size |
| dr | R.GRAPE | 7/3/96 | | | A4 |
| enr | D.BRANN | 7/3/96 | | | |
| chr | D.BRANN | 7/3/96 | | | |
| ppd | D.BRANN | 7/3/96 | | | |
| sheet index | revision sheet | | | | type CUSTOMER Drawing |

PDM: Rev:R STATUS **Released** Printed: Oct 12, 2010 6

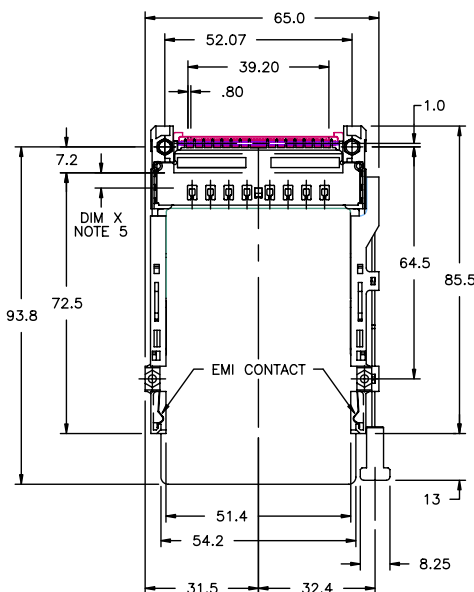
FCI CONFIDENTIAL



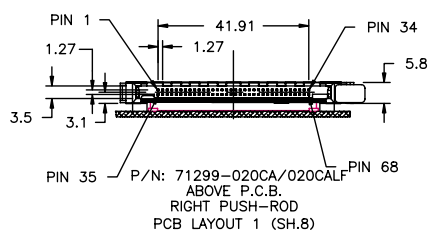
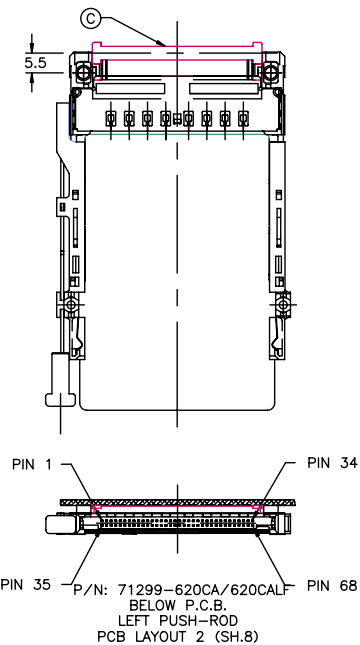
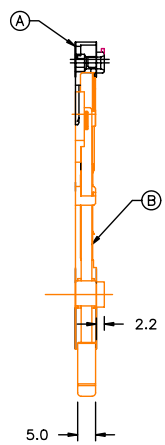
FCIconnect.com

This document is the property of and includes CONFIDENTIAL and PROPRIETARY information of FCI. No part of the information shown on this document may be used in any way or disclosed to others without the written consent of FCI. Copyright FCI.

PRODUCT NUMBER
71299-*****/****LF



MATING RECEPTACLE SHOWN FOR APPLICATION CLARITY ONLY. MUST BE PURCHASED SEPARATELY.



| | | | | | |
|-------------|----------------|---------|-----------|---------------------------------------|----------------|
| mat'l. code | | surface | tolerance | projection | product family |
| ISO 1302 | | ISO 406 | ISO 101 | | |
| ltr | ecn no | dr | date | title | |
| R | | | | CARDBUS SINGLE DECK ASSY SMT TYPE 123 | |
| angles | | linear | | tolerances unless otherwise specified | MM |
| ±2° | | .X±.3 | | scale:1:1 | |
| dr | | R.GRAPE | 7/3/96 | dwg no | |
| enr | | D.BRANN | 7/3/96 | 71299 | |
| chr | | D.BRANN | 7/3/96 | sheet 4 of 11 size A4 | |
| appd | | D.BRANN | 7/3/96 | type CUSTOMER Drawing | |
| sheet index | revision sheet | | | | |

PDM: Rev:R STATUS: Released Printed: Oct 12, 2010 6

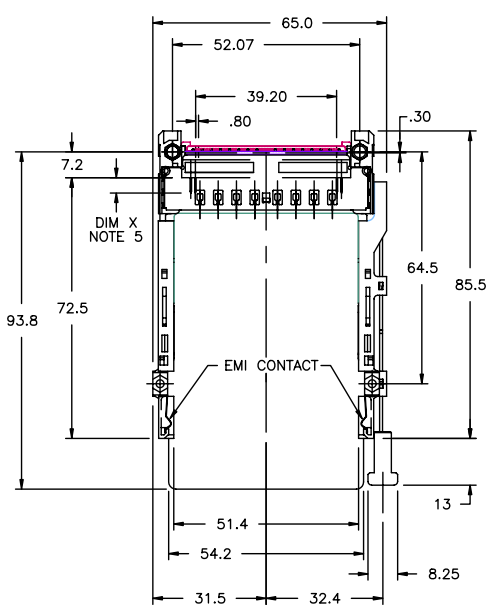
form: A3

FCI CONFIDENTIAL

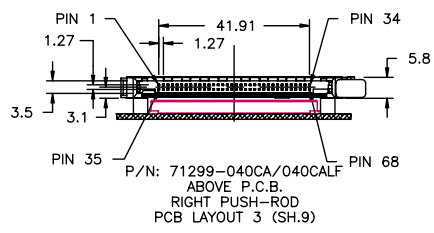
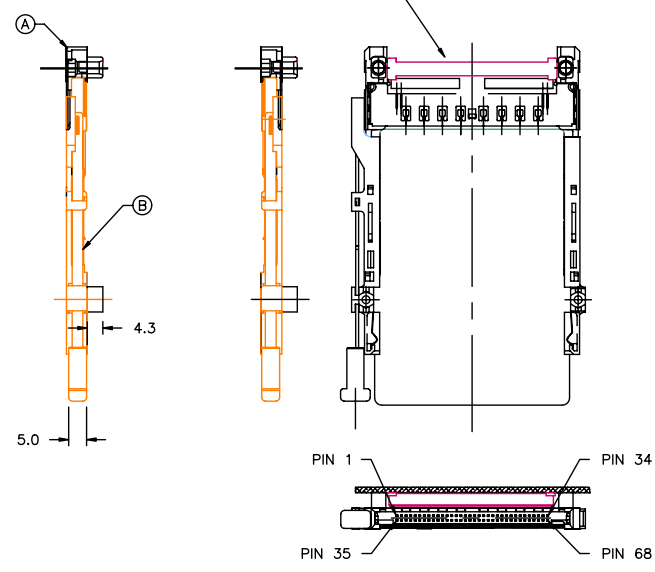


This document is the property of and includes CONFIDENTIAL and PROPRIETARY information of FCI. No part of the information shown on this document may be used in any way or disclosed to others without the written consent of FCI. Copyright © FCI.

PRODUCT NUMBER
71299-*****/*****LF



MATING RECEPTACLE SHOWN FOR APPLICATION CLARITY ONLY MUST BE PURCHASED SEPARATELY



P/N: 71299-640CA/640CALF
BELOW P.C.B.
LEFT PUSH-ROD
PCB LAYOUT 4 (SH.9)

| | | | | | |
|-------------|----------------|---------|-----------|---------------------------------------|-----------------------|
| mat'l. code | | surface | tolerance | projection | product family |
| ISO 1302 | | ISO 406 | ISO 101 | | |
| ltr | ecn no | dr | date | tolerances unless otherwise specified | title |
| R | | | | .X±.3 | CARBUS SINGLE DECK |
| | | | | .XX±.13 | ASSY SMT TYPE 123 |
| | | | | .XXX±.051 | MM |
| | | | | scale:1:1 | dwg no |
| | | | | | 71299 |
| | | | | | sheet 5 of 11 size |
| | | | | | A4 |
| | | | | | type CUSTOMER Drawing |
| sheet index | revision sheet | | | | |

PDM: Rev:R STATUS Released Printed: Oct 12, 2010 6

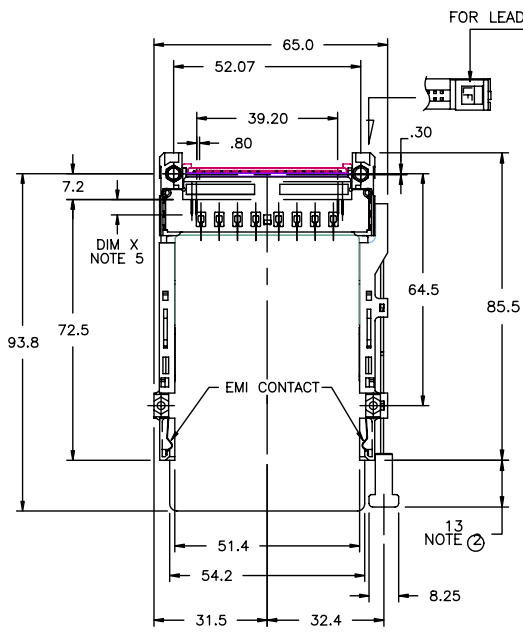
form: A3

FCI CONFIDENTIAL



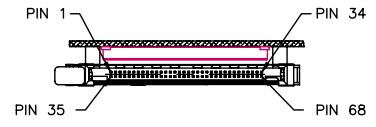
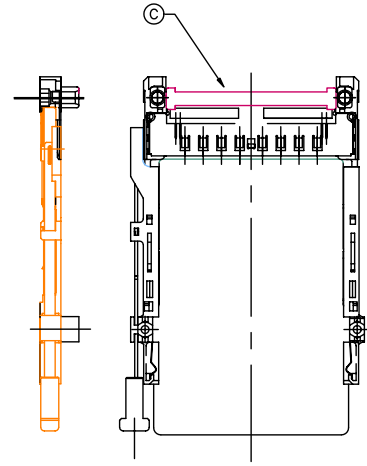
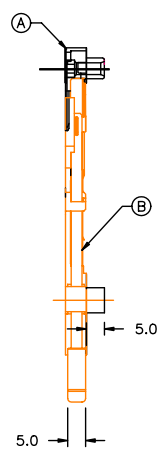
This document is the property of and includes CONFIDENTIAL and PROPRIETARY information of FCI. No part of this information may be used in any way or disclosed to other parties without the written consent of FCI. Copyright © FCI.

PRODUCT NUMBER
71299-*****/*****LF

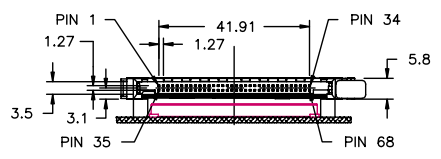


FOR LEAD-FREE TYPE ONLY(REF.)

MATING RECEPTACLE SHOWN FOR APPLICATION CLARITY ONLY MUST BE PURCHASED SEPARATELY



P/N: 71299-650CA
BELOW P.C.B.
LEFT PUSH-ROD
PCB LAYOUT 4 (SH.9)



P/N: 71299-050FA/-050FALF
(NOTE 2)

P/N: 71299-050CA/-050CALF
ABOVE P.C.B.
RIGHT PUSH-ROD
PCB LAYOUT 3 (SH.9)

| | | | | | |
|-------------|----------|---------|-----------|------------|---------------------------------------|
| mat'l. code | | surface | tolerance | projection | product family |
| ISO 1302 | | ISO 406 | ISO 101 | | |
| ltr | ecr | no | dr | date | title |
| R | | | | | CARDBUS SINGLE DECK ASSY SMT TYPE 123 |
| angles | | linear | .X±.3 | MM | |
| ±2° | | | .XX±.13 | scale:1:1 | |
| dr | | R.GRAPE | 7/3/96 | | dwg no |
| sgr | | D.BRANN | 7/3/96 | | 71299 |
| chr | | D.BRANN | 7/3/96 | | sheet 6 of 11 size |
| ppd | | D.BRANN | 7/3/96 | | A4 |
| sheet | revision | | | | type |
| index | sheet | | | | CUSTOMER Drawing |

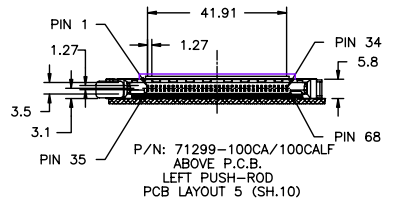
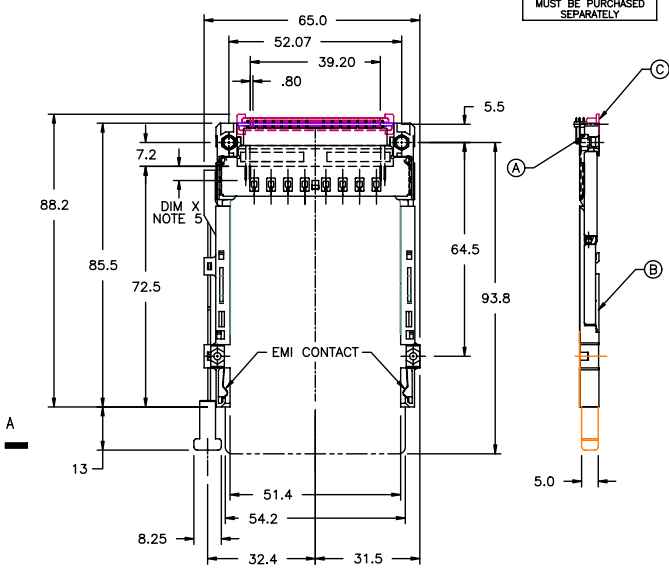
PDM: Rev:R STATUS Released Printed: Oct 12, 2010 6

form: A3

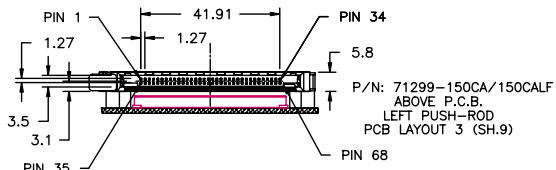
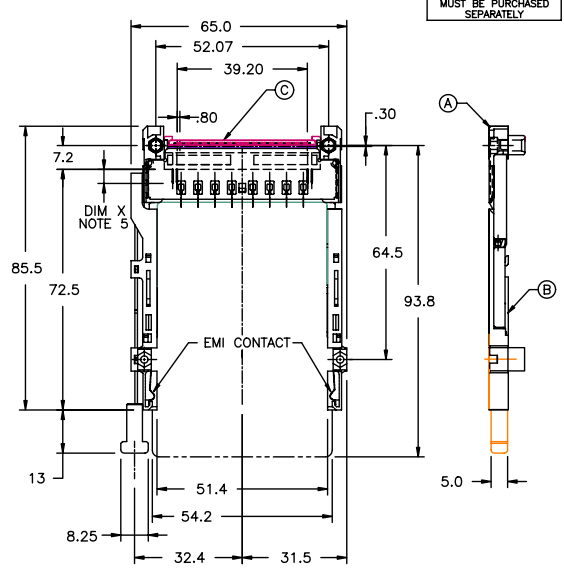
FCI CONFIDENTIAL
 FCI
 FCIconnect.com
 This document is the property of and includes CONFIDENTIAL and PROPRIETARY information of FCI. No part of the information shown on this document may be used in any way or disclosed to others without the written consent of FCI.
 Copyright © FCI

PRODUCT NUMBER
 71299-*****/****LF

MATING RECEPTACLE
 SHOWN FOR APPLICATION
 CLARITY ONLY
 MUST BE PURCHASED
 SEPARATELY



MATING RECEPTACLE
 SHOWN FOR APPLICATION
 CLARITY ONLY
 MUST BE PURCHASED
 SEPARATELY



| | | | | |
|-------------|----------------|-----------|------------|--------------------------------------|
| mat'l. code | surface | tolerance | projection | product family |
| | ISO 1302 | ISO 406 | ISO 101 | |
| ltr | ecn no | dr | date | title |
| R | | | | CARBUS SINGLE DECK ASSY SMT TYPE 123 |
| | | | | MM |
| | | | | scale:1 |
| | | | | dwg no 71299 |
| | | | | sheet 7 of 11 size A4 |
| | | | | type CUSTOMER Drawing |
| sheet index | revision sheet | | | |

PDM: Rev:R STATUS:Released Printed: Oct 12, 2010 6

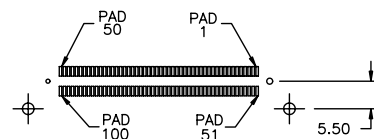
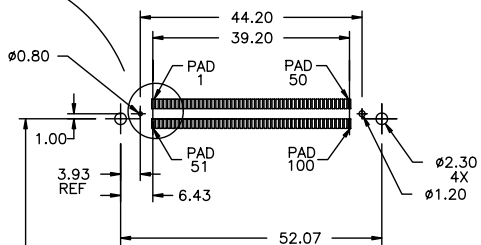
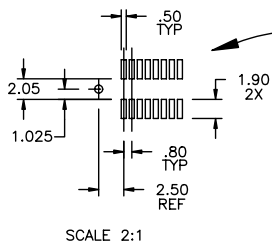
FCI CONFIDENTIAL

FCI

FCIconnect.com

This document is the property of and includes CONFIDENTIAL and PROPRIETARY information of FCI. No part of the information herein may be used in any way or disclosed to others without the written consent of FCI. Copyright © FCI.

P.C.B. LAYOUT FOR 2.2mm STANDOFF



P.C.B. LAYOUT 1 ABOVE PCB AS ASSEMBLED

P.C.B. LAYOUT 2 BELOW PCB AS ASSEMBLED

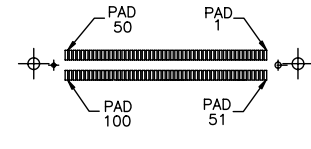
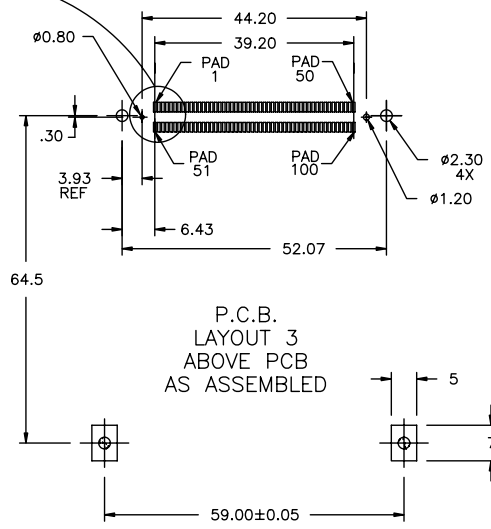
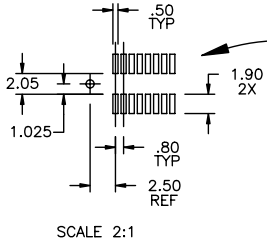
| | | | | | | | | | |
|-------------|----------------|---------|--|-----------|--|------------|--|-----------------------|--|
| mat'l. code | | surface | | tolerance | | projection | | product family | |
| ISO 1302 | | ISO 406 | | ISO 101 | | MM | | CARDBUS SINGLE DECK | |
| R | | linear | | .X±.3 | | MM | | ASSY SMT TYPE 123 | |
| angles | | ±2° | | .XX±.13 | | scale:1:1 | | dwg no 71299 | |
| dr | | R.GRAPE | | 7/3/96 | | FCI | | sheet 8 of 11 size A4 | |
| enr | | D.BRANN | | 7/3/96 | | | | type CUSTOMER Drawing | |
| chr | | D.BRANN | | 7/3/96 | | | | | |
| appd | | D.BRANN | | 7/3/96 | | | | | |
| sheet index | revision sheet | | | | | | | | |

PDM: Rev:R

STATUS Released

Printed: Oct 12, 2010

P.C.B. LAYOUT FOR 4.3 AND 5.0mm STANDOFFS



P.C.B. LAYOUT 3 ABOVE PCB AS ASSEMBLED

P.C.B. LAYOUT 4 BELOW PCB AS ASSEMBLED

| | | | | | |
|-------------|----------------|-------------------------------|-----------|---------------------------------------|-----------------------|
| mat'l. code | | surface | tolerance | projection | product family |
| ISO 1302 | | ISO 406 | ISO 101 | 101 | |
| ltr | ecm no | dr | date | title | |
| R | | | | CARDBUS SINGLE DECK ASSY SMT TYPE 123 | |
| angles | | linear | | MM | |
| ±2° | | .X±.3 .XX±.13 .XXX±.051 | | scale:1 | |
| dr | R.GRAPE | 7/3/96 | | FCJ | dwg no 71299 |
| enr | D.BRANN | 7/3/96 | | | sheet 9 of 11 size A4 |
| chr | D.BRANN | 7/3/96 | | | |
| appd | D.BRANN | 7/3/96 | | | type CUSTOMER Drawing |
| sheet index | revision sheet | | | | |

PDM: Rev:R STATUS Released Printed: Oct 12, 2010 6

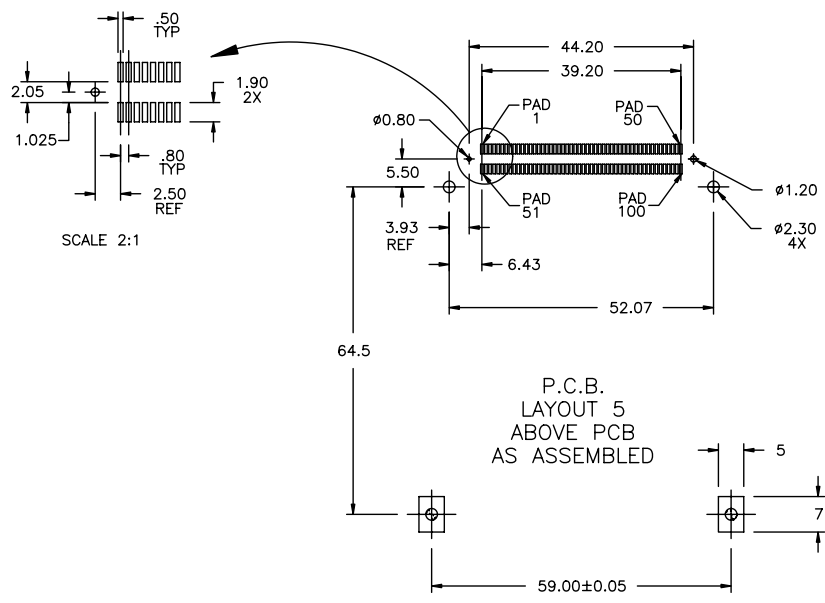
FCI CONFIDENTIAL
 FCI
 FCIconnect.com
 This document is the property of and includes CONFIDENTIAL and PROPRIETARY information of FCI. No part of the information herein may be used in any way or disclosed to others without the written consent of FCI. Copyright FCI.

FCI CONFIDENTIAL

FCI
FCIconnect.com

This document is the property of and includes CONFIDENTIAL and PROPRIETARY information of FCI. No part of the information shown on this document may be used in any way or disclosed to others without the written consent of FCI. Copyright © FCI.

P.C.B. LAYOUT FOR 0mm STANDOFF



P.C.B.
LAYOUT 5
ABOVE PCB
AS ASSEMBLED

| | | | | | |
|-------------|----------------|---------|-----------|--|-----------------------|
| mat'l. code | | surface | tolerance | projection | product family |
| ISO 1302 | | ISO 406 | ISO 101 | MM | |
| ltr | ecr no | dr | date | title | |
| R | | | | CARDBUS SINGLE DECK ASSY SMT TYPE 123 | |
| angles | | linear | .X±.3 | MM | |
| ±2° | | | .XX±.13 | scale:1:1 | |
| | | | .XXX±.051 | | |
| dr | R.GRAPE | 7/3/96 | | FCI | dwg no |
| enr | D.BRANN | 7/3/96 | | | 71299 |
| chr | D.BRANN | 7/3/96 | | | sheet 10 of 11 size |
| appd | D.BRANN | 7/3/96 | | | A4 |
| sheet index | revision sheet | | | | type CUSTOMER Drawing |

PDM: Rev:R STATUS Released Printed: Oct 12, 2010 6

form: A3

FCI CONFIDENTIAL

FCI

This document is the property of and includes CONFIDENTIAL and PROPRIETARY information of FCI. No part of the information herein on this document may be used in any way or disclosed to others without the written consent of FCI. Copyright © FCI.

| HEADER PINOUT | TYPE | BTB 100 POS RECEPTACLE | HEADER PINOUT | TYPE | BTB 100 POS RECEPTACLE | SHIELD PINOUT | TYPE | BTB 100 POS RECEPTACLE |
|---------------|------|------------------------|---------------|------|------------------------|---------------|------|------------------------|
| 1 | GND | 1 | 35 | GND | 51 | 1 | GND | 4 & 54 |
| 2 | SIG | 2 | 36 | DET | 52 | 2 | GND | 7 & 57 |
| 3 | SIG | 3 | 37 | SIG | 53 | 3 | GND | 10 & 60 |
| 4 | SIG | 5 | 38 | SIG | 55 | 4 | GND | 13 & 63 |
| 5 | SIG | 6 | 39 | SIG | 56 | 5 | GND | 16 & 66 |
| 6 | SIG | 8 | 40 | SIG | 58 | 6 | GND | 19 & 69 |
| 7 | SIG | 9 | 41 | SIG | 59 | 7 | GND | 22 & 72 |
| 8 | SIG | 11 | 42 | SIG | 61 | 8 | GND | 25 & 75 |
| 9 | SIG | 12 | 43 | SIG | 62 | 9 | GND | 26 & 76 |
| 10 | SIG | 14 | 44 | SIG | 64 | 10 | GND | 29 & 79 |
| 11 | SIG | 15 | 45 | SIG | 65 | 11 | GND | 32 & 82 |
| 12 | SIG | 17 | 46 | SIG | 67 | 12 | GND | 35 & 85 |
| 13 | SIG | 18 | 47 | SIG | 68 | 13 | GND | 38 & 88 |
| 14 | SIG | 20 | 48 | SIG | 70 | 14 | GND | 41 & 91 |
| 15 | SIG | 21 | 49 | SIG | 71 | 15 | GND | 44 & 94 |
| 16 | SIG | 23 | 50 | SIG | 73 | 16 | GND | 47 & 97 |
| 17 | PWR | 24 | 51 | PWR | 74 | | | |
| 18 | SIG | 27 | 52 | SIG | 77 | | | |
| 19 | SIG | 28 | 53 | SIG | 78 | | | |
| 20 | SIG | 30 | 54 | SIG | 80 | | | |
| 21 | SIG | 31 | 55 | SIG | 81 | | | |
| 22 | SIG | 33 | 56 | SIG | 83 | | | |
| 23 | SIG | 34 | 57 | SIG | 84 | | | |
| 24 | SIG | 36 | 58 | SIG | 86 | | | |
| 25 | SIG | 37 | 59 | SIG | 87 | | | |
| 26 | SIG | 39 | 60 | SIG | 89 | | | |
| 27 | SIG | 40 | 61 | SIG | 90 | | | |
| 28 | SIG | 42 | 62 | SIG | 92 | | | |
| 29 | SIG | 43 | 63 | SIG | 93 | | | |
| 30 | SIG | 45 | 64 | SIG | 95 | | | |
| 31 | SIG | 46 | 65 | SIG | 96 | | | |
| 32 | SIG | 48 | 66 | SIG | 98 | | | |
| 33 | SIG | 49 | 67 | DET | 99 | | | |
| 34 | GND | 50 | 68 | GND | 100 | | | |

NOTES:

- 8mm MIN CARD EJECT.
- EJECT TRAVEL: 9.5mm
- MATERIAL:
 - 3.1 HEADER ASSY:
PLASTIC HOUSING: LCP UL94V-0 BLACK - ABOVE PCB
LCP UL94V-0 BLACK - BELOW PCB
PIN: PHOSPHOR BRONZE
PCB: FR4
 - 3.2 EJECT MECHANISM ASSY:
PLASTIC GUIDE: POLYPHTHAMID UL94V-0 BLACK
PLASTIC PUSH-ROD BUTTON: POLYPHTHAMID UL94V-0 BLACK
COVER PLATE, LINK ARM,
PUSH ROD: STAINLESS STEEL
EMI CONTACT: PHOSPHOR BRONZE
 - 3.3 .8 BTB RECEPTACLE: 73277-101000
PLASTIC: LCP 94V-0 BLACK
CONTACT: BeCu
- FINISH (PIN)
UNDER PLATING: 0.5um MIN Ni
CONTACT AREA: 0.1um MIN GOLD OVER
0.5um MIN Pd-Ni
SOLDER TAIL(TIN LEAD OPTION): 2.5umMIN Sn-Pb
SOLDER TAIL(LEAD FREE OPTION): 2.5umMIN PURE TIN
- DIM "X"

| | | |
|----------|---------|------------------|
| 4.25±0.1 | 3.5±0.1 | 5.0±0.1 |
| OTHERS | 36,67 | 1,17,34,35,51,68 |
- RECOMMENDED SCREW TORQUE: 1.0 TO 1.5 MAX in-lbs. (1.2-1.7 cm-kgs).
RECOMMENDED HOLD-DOWN 2mm SCREWS (95121) AND HEX NUTS (92869-001).
- GS-14-920 SPEC. SHOULD BE APPLIED LEAD FREE P/N.
- IF LEAD FREE P/N.THE HOUSING WILL WITHSTAND EXPOSURE TO 260°C PEAK TEMPERATURE FOR 10 SECONDS IN A WAVE SOLDER APPLICATION WITH A 1.00MM MINIMUM THICK CIRCUIT BOARD.
- IF LEAD FREE P/N.THE PRODUCT MEETS EUROPEAN UNION DIRECTIVES AND OTHER COUNTRY REGULATIONS AS DISCRIBLED IN GS-22-008

| | | | | |
|-------------|---------------------|------------------------------|-------------------|---|
| mat'l. code | surface ISO 1302 | tolerance ISO 406 ISO 101 | projection 101 | product family |
| ltr | ecn no | dr | date | tolerances unless otherwise specified |
| R | | | | angles linear .X±.3 .XX±.13 ±2' .XXX±.051 |
| | | | | linear .MM scale:1:1 |
| | | | | dr R.GRAPE 7/3/96 engr D.BRANN 7/3/96 chr D.BRANN 7/3/96 pppd D.BRANN 7/3/96 |
| | | | | FCI |
| | | | | title CARDBUS SINGLE DECK ASSY SMT TYPE 123 |
| | | | | dwg no 71299 sheet 11 of 11 size A4 |
| | | | | type CUSTOMER Drawing |
| sheet index | revision sheet | | | |