

# POC-175

## 17" Intel® Pentium® M Processor-based Point-of-Care Terminal



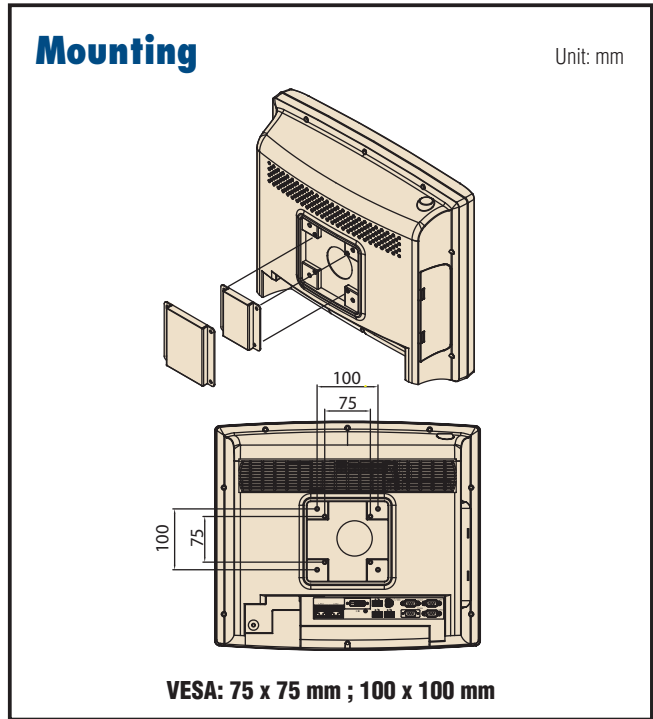
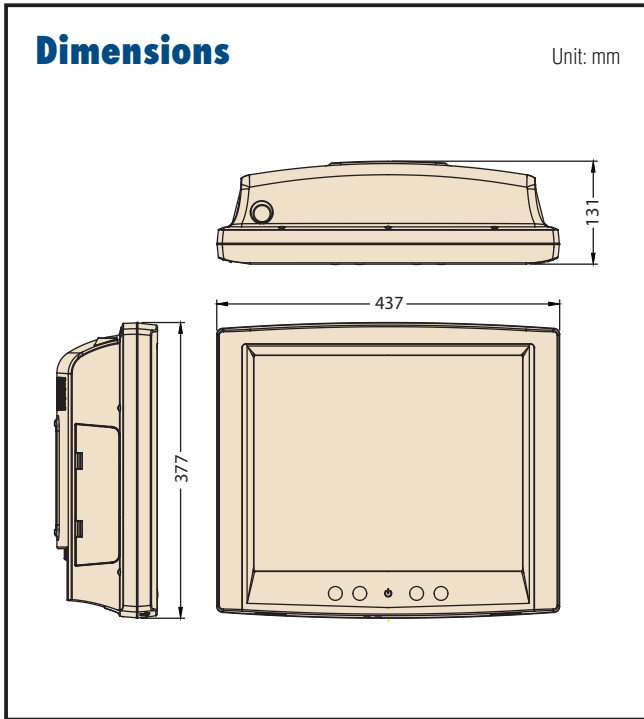
### Features

- 17" TFT LCD with 16.7M color support
- Isolated design provides unique electric leakage protection for COM ports and LAN ports
- IPX1 water resistant enclosure with additional IP65 dust-tight front panel
- One PCI 2.2 expansion slot to support low profile PCI card & mini-PCI slot for type IIIA mini PCI
- UL60601-1/EN60601-1, CE & FCC Class B certified
- Optional 802.11b/g WLAN module and touchscreen



### Specifications

Computing System	Chipset	915GME GMCH/ICH6-M Chipset
	CPU	Intel Pentium M processor (Socket 479); up to 2.0 GHz
	Front Side Bus	533 MHz
	Memory	DDR2 400/533 Unbuffered Non ECC x 2 (max. 2 GB)
Graphics	Controller	915GME GMCH integrated (GMA 900)
Expansion Slot	Mini PCI	1 x Mini PCI slot, supports type IIIA Mini PCI
	PCI 2.2	1 x PCI 2.2, accepts low profile PCI Card
Storage	HDD	1 x 2.5" IDE or 1 x 2.5" SATA
Ethernet	Interface	2 x Gigabit Ethernet (isolated) interfaces (RJ-45)
I/O Ports		2 x RS-232 (isolated) and 1 x RS232/422/485 (isolated) serial ports; 6 x USB 2.0 ports; 3 x IEEE 1394a ports, 1 x Parallel port 1 x PS/2 mouse and K/B; 1 x D-sub VGA port
Audio		2 x 1 W speakers; 1 x MIC-in and 1 x Line-in, 1 x Lin-out
Optical Device		1 x COMBO (CD-R, DVD-ROM)
Display	Display type	17" TFT color LCD.
	Max. Resolution	1280 x 1024
	Max. Colors	16.7M
	Dot size (mm)	0.264 x 0.264
	Viewing angle	160/160°
	Luminance	300 cd/m <sup>2</sup>
	Contrast ratio	800 : 1
	LCD MTBF	50,000 hours
Power Supply	Backlight lifetime	50,000 hours at 6.5 mA
	AC Model	Internal ATX power supply
	Input voltage	100 ~ 240 V <sub>AC</sub> , 4/2 A max. @ 50 ~ 60 Hz
	Output voltage	+5 V @ 12 A, +12 V @ 12 A, +3.3 V @ 16.8 A, +5 Vsb @ 2.0 A, -12 V @ 0.8 A (180 watts)
Optional Touchscreen	Type	Analog Resistive
	Light transmission	75%
	Controller	RS-232 interface (use COM4)
	Durability	30 million touches
Environment	Temperature	0 ~ 40° C (32 ~ 104° F) (Operating)
	Humidity	10 ~ 95% @ 40° C (non-condensing)
	Shock Resistance	30G peak acceleration (11ms duration)
	Power MTBF	100,000hrs
	Water/dust Resistance	IPX1 compliant
Physical Characteristics	Dimensions (W x H x D)	437 x 377 x 131 mm (17.20" x 14.84" x 5.15")
	Weight	10.5 kg (23.15 lb)



## Ordering Information

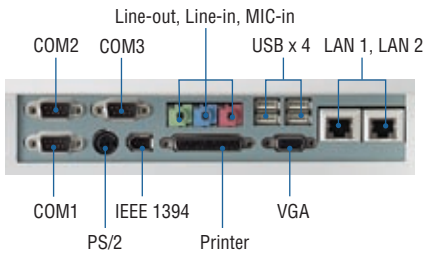
Part Number	Touch Panel	CPU	HDD 24 x 7	RAM
POC-175CB-AC-AE	-	-	-	-
POC-175CB-AC-ATE	Res.TS	-	-	-
POC-175CB-PE	-	Intel Pentium M 2.0 GHz	40 G SATA	1 GB
POC-175CB-PTE	Res.TS	Intel Pentium M 2.0 GHz	40 G SATA	1 GB

## Accessories

Part Number	Description
PDC-190-STAND	Stand for PDC-190/POC-175
1702002600	Power Cable (USA) 1.83M
1702002605	Power Cable (EUROPE) 1.8M
*	802.11b/g wireless LAN mini-PCI module & external antenna

\* This accessory goes with the T Part Number. Please contact Advantech sales for more details.

## Rear I/O

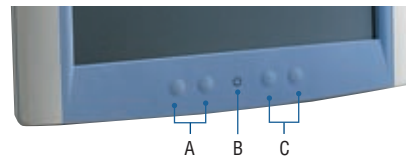


Design of side cover prevents unauthorized access to disc and water-splash

## Packing List

Part Description	Quantity
CABLE 6P-6P PS/2 KB & MOUSE 20 cm	1
HDD Frame for 2.5" HDD	1
CD-ROM for POC-175 Driver & Utility V1.01 A21	1
Advantech 2-year warranty card	1

## Function keys



A. Audio Control Button  
B. Power Light

C. Brightness Control Button