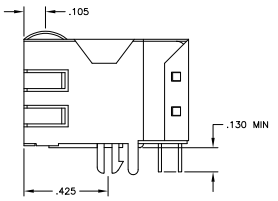
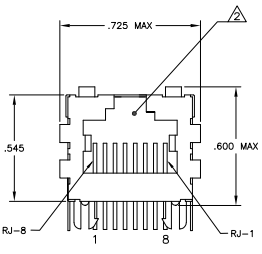
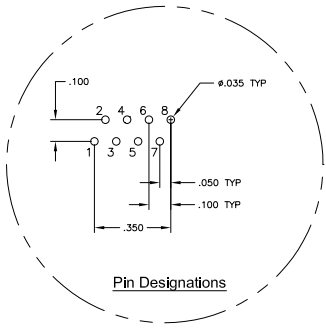
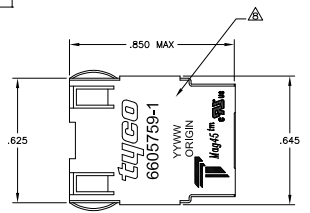


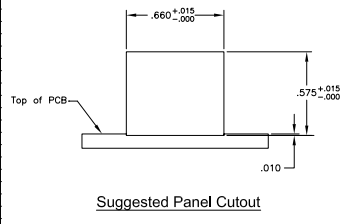
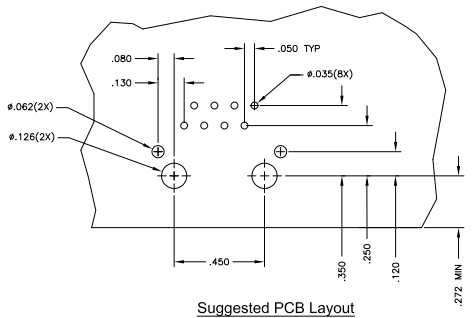
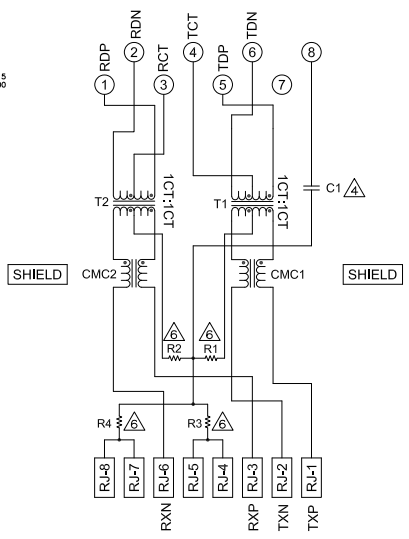
MECHANICAL:



- MATERIALS:**
- HOUSING - THERMOPLASTIC PET POLYESTER FLAMMABILITY RATING UL 94V-0.
 - SHIELD - .010" THICK, C26800 BRASS PREPLATED WITH 30μINCH MIN SEMI-BRIGHT NICKEL, SOLDER TABS POST DIPPED WITH 100μINCH MIN SAC SOLDER.
 - MOD JACK CONTACTS - 0.0157" x 0.018" PHOSPHOR BRONZE, 50μINCH MIN OVERALL NICKEL UNDERPLATE, WITH SELECT 50μINCH MIN HARD GOLD FINISH PLATE. SOLDER TAILS WITH 100μINCH MIN MATTE TIN AND/OR SAC SOLDER DIP.
- MAGNETICS**
- IMPEDANCE: 100 OHMS
 - TURNS RATIO [CHIP CABLE]: TX = 11, RX = 11
 - OPEN CIRCUIT INDUCTANCE (OCL): 350nH MIN @100kHz, 0.1VRMS, 8mADC BIAS FROM 0°C TO 70°C, TX AND RX
 - PERFORMANCE @ 25°C:
 - INSERTION LOSS (IL): 1.1dB MAX FROM 0.5MHz TO 100MHz
 - RETURN LOSS (RL): 18dB MIN FROM 0.5MHz TO 30MHz
 - 18-20dBGI/30dB MIN FROM 30.1MHz TO 60MHz
 - 12dB MIN FROM 60.1MHz TO 80MHz
 - CROSSTALK ATTENUATION: 35dB MIN FROM 0.5MHz TO 40MHz
 - 33-20*dBdBI/50dB MIN FROM 40.1MHz TO 100MHz
 - COMMON MODE REJECTION RATIO (CMRR): 30dB MIN FROM 0.5MHz TO 100MHz
 - ISOLATION VOLTAGE: COMPLIES WITH IEEE802.3 2002, PARA 23.5.1.1, ITEM a or b.

- △ C1 IS AN OPTIONAL 1000 pF, 2KV DECOUPLING CAPACITOR. IF NO CAPACITOR, TRACE IS CONTINUOUS.
- 5. OPERATING TEMPERATURE: FROM 0° TO +70°C.
- △ R1-R4 = 75 OHMS, 1/16 W, 5% RESISTORS.
- △ INDICATED CONNECTIONS ARE FOR NIC CONFIGURATION. THE MAGNETICS ARE SYMMETRIC TO SUPPORT AUTO-MDI/MDIX.
- △ TRADEMARK, PART NUMBER, DATE CODE, COUNTRY OF ORIGIN AND AGENCY APPROVAL MARKING IN APPROXIMATE LOCATION SHOWN.

726 SERIES MAGNETIC CIRCUIT



NO	6605759-2
YES	6605759-1
△ DECOUPLING CAPACITOR	PART NUMBER

THIS DRAWING IS A CONTROLLED DOCUMENT.		REV	DATE	DESCRIPTION	BY	CHK	APP
REV	DATE	DESCRIPTION	BY	CHK	APP		
1		108-2100					
2		108-2100					
3		108-2100					
4		108-2100					
5		108-2100					
6		108-2100					
7		108-2100					
8		108-2100					
9		108-2100					
10		108-2100					
11		108-2100					
12		108-2100					
13		108-2100					
14		108-2100					
15		108-2100					
16		108-2100					
17		108-2100					
18		108-2100					
19		108-2100					
20		108-2100					
21		108-2100					
22		108-2100					
23		108-2100					
24		108-2100					
25		108-2100					
26		108-2100					
27		108-2100					
28		108-2100					
29		108-2100					
30		108-2100					
31		108-2100					
32		108-2100					
33		108-2100					
34		108-2100					
35		108-2100					
36		108-2100					
37		108-2100					
38		108-2100					
39		108-2100					
40		108-2100					
41		108-2100					
42		108-2100					
43		108-2100					
44		108-2100					
45		108-2100					
46		108-2100					
47		108-2100					
48		108-2100					
49		108-2100					
50		108-2100					
51		108-2100					
52		108-2100					
53		108-2100					
54		108-2100					
55		108-2100					
56		108-2100					
57		108-2100					
58		108-2100					
59		108-2100					
60		108-2100					
61		108-2100					
62		108-2100					
63		108-2100					
64		108-2100					
65		108-2100					
66		108-2100					
67		108-2100					
68		108-2100					
69		108-2100					
70		108-2100					
71		108-2100					
72		108-2100					
73		108-2100					
74		108-2100					
75		108-2100					
76		108-2100					
77		108-2100					
78		108-2100					
79		108-2100					
80		108-2100					
81		108-2100					
82		108-2100					
83		108-2100					
84		108-2100					
85		108-2100					
86		108-2100					
87		108-2100					
88		108-2100					
89		108-2100					
90		108-2100					
91		108-2100					
92		108-2100					
93		108-2100					
94		108-2100					
95		108-2100					
96		108-2100					
97		108-2100					
98		108-2100					
99		108-2100					
100		108-2100					