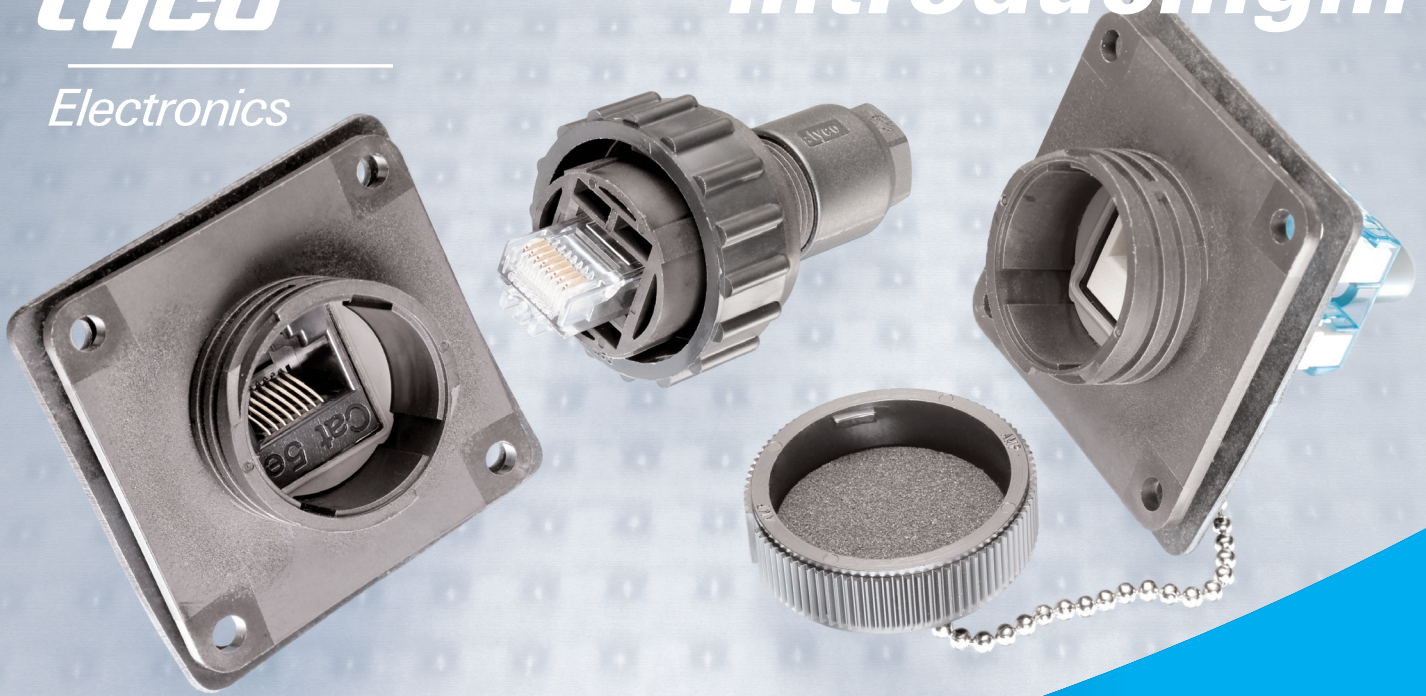


**tyco**

Electronics

**Introducing...**



RoHS  
Ready 

# AMP Circular Plastic Connectors (CPC) Series 45 Ethernet

## DESCRIPTION

- This new series of CPC products accepts RJ45 inserts. The same CPC performance interface that is widely accepted over many markets has been expanded to handle Ethernet communications through Category 5 and 5e requirements.

## KEY FEATURES

- For Category 5 and 5e cables
- Sealing performance per IP 67
- Protective sealing cap available for the receptacles
- Positive lock coupling ring provides for reliable connections

## APPLICATIONS

- Industrial machinery, Diagnostic equipment, Communications equipment, Printers, and any potential application where Ethernet is used when the connector requirement calls for a sealed, rugged connector interface.

- Available pass-through and field installable receptacle styles
- Unshielded product offerings

## STANDARDS & SPECS

- Design Objective: 108-2203
- Instruction Sheets: 408-8949  
408-8950  
408-8951  
408-10091
- Application Specification: 114-13137

# AMP Circular Plastic Connectors (CPC) Series 45 Ethernet

## ELECTRICAL

- Meets TIA/EIA-56-B.2 Category 5 requirements

## MECHANICAL

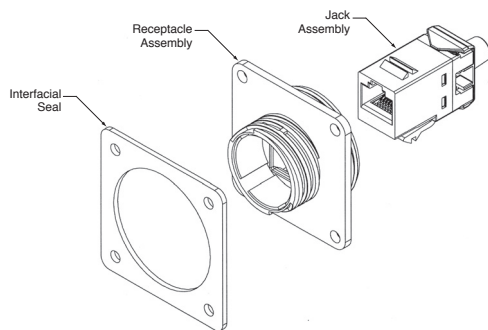
- Positive lock coupling ring
- Polarized for proper mating between connector halves

## MATERIALS

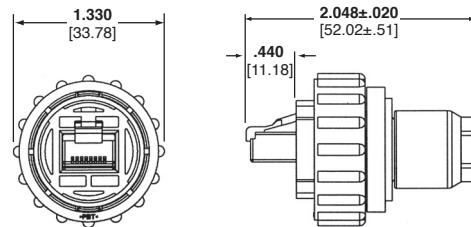
- UV resistant and UL 94V-0 housing material
- Operating temperature:  $-55^{\circ}\text{C}$  to  $+105^{\circ}\text{C}$  [ $-67^{\circ}\text{F}$  to  $+221^{\circ}\text{F}$ ]

## PRODUCT DIMENSIONS & PRODUCT OFFERING

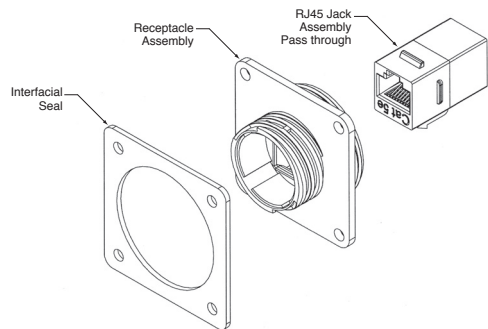
### Receptacle Kit, Wire Terminated, Unshielded – Part No. 1546877-1



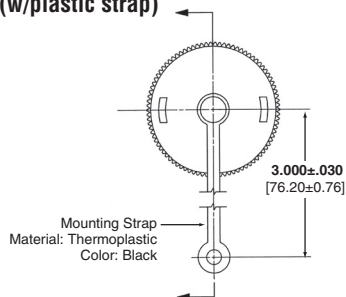
### Plug Kit, Unshielded – Part No. 1546876-1



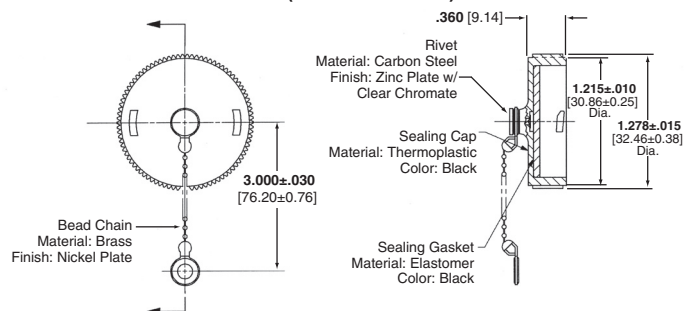
### Receptacle Kit, Pass-through RJ45/RJ45 – Part No. 1776186-1



### Receptacle Sealing Caps Part No. 207445-1 (w/plastic strap)



### Part No. 208652-1 (w/beaded chain)



## FOR MORE INFORMATION

Technical Support  
Internet: [www.tycoelectronics.com](http://www.tycoelectronics.com)  
E-mail:  
[newproducts@tycoelectronics.com](mailto:newproducts@tycoelectronics.com)

USA: 1-800-522-6752  
Canada: 1-905-470-4425  
Mexico: 01-800-733-8926  
C. America: 52-55-1106-0803

South America: 55-11-2103-6000  
Hong Kong: 852-2735-1628  
Japan: 81-44-844-8013  
UK: 44-8706-080208