

# MICRO SWITCH

A DIVISION OF MINNEAPOLIS-HONEYWELL REGULATOR COMPANY  
PRINCIPAL, STAMFORD, CT

FED. MFR. CODE 91929

## SWITCH-BASIC

CATALOG LISTING

### YZ-R

(M) YZ-R  
ISSUE 6

REPLACES

RELEASE NO.

YZ-R

PAGE 1 OF 1

M

DRAWING NUMBER

13

ISSUE

CHECK C 7 0 26 July 55

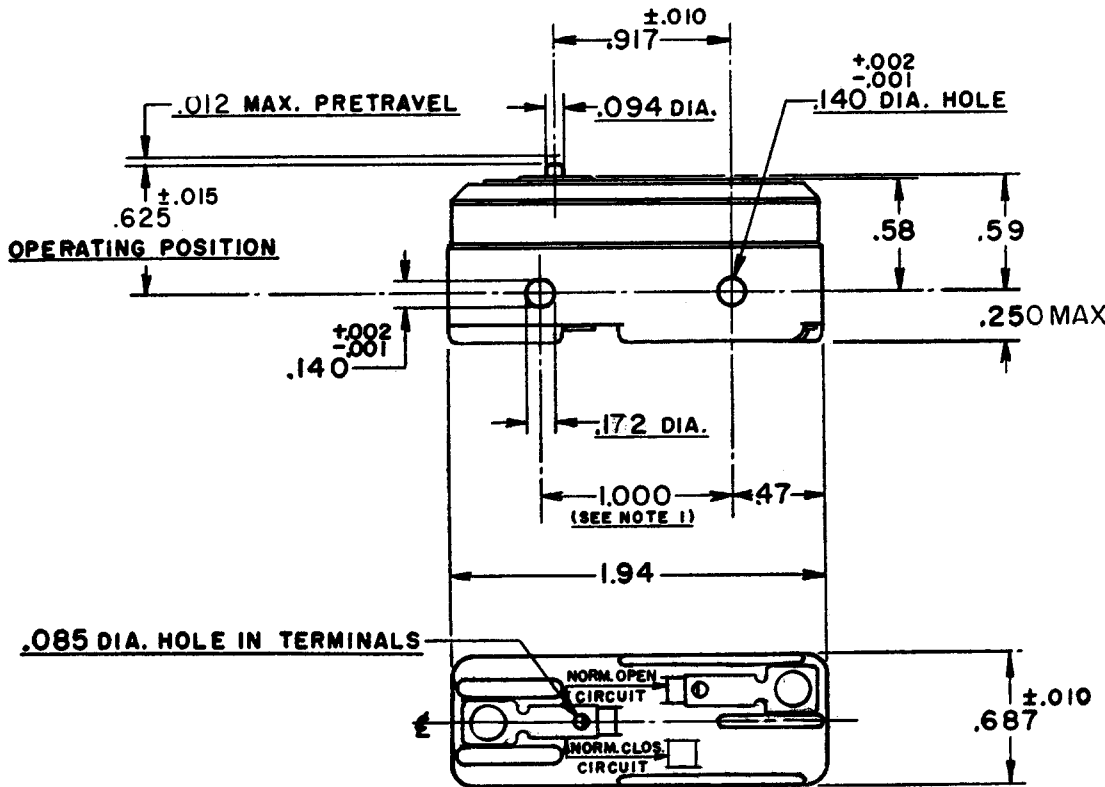
REVISIONS

A	CO.8520	W. D. W.	29 JUNE 55
B	CO23645	M B F	23 JAN 68
C	CO34162	D B W	3 JUL 75
D	CO46304	WJM	12 DEC 79
E	CO 58037	SMA	1 OCT 85
F	CO- 77592	DAW	15 AUG 94
G	CO- 94212-K	DLT	10 NOV 99

CHECK R E A 25 July 55

CHECK R E A 27 July 55

CHECK B. C. H. 29 JUNE '55



**NOTE -**

1- MOUNTING HOLES WILL ACCEPT PINS OR SCREWS OF .139 MAX. DIA. ON 1.000 ±.002 CENTERS.

THIS DRAWING COVERS A PROPRIETARY ITEM AND IS THE PROPERTY OF MICRO SWITCH, A DIVISION OF HONEYWELL. THIS DRAWING IS NOT TO BE COPIED OR USED WITHOUT THE APPROVAL OF MICRO SWITCH.

**CHARACTERISTICS**

OPERATING FORCE-----7 - 9 OZ.  
RELEASE FORCE-----4 OZ. MIN.  
DIFFERENTIAL TRAVEL----.00020-.00035  
OVERTRAVEL-----.005 MIN.

**ELECTRICAL DATA**

CONTACT ARRANGEMENT  
S. P. N. O.  
UNDERWRITERS' LAB. INC. LISTED RATING  
-L103- 15 A-125, 250 OR 480 VAC  
1/8 HP-125 VAC; 1/4 HP-250 VAC



**SCALE FULL**

DO NOT SCALE PRINT

UNLESS OTHERWISE SPECIFIED DIMENSIONS ARE IN INCHES  
**TOLERANCES ARE:**

ONE PLACE	(.0)	±.030
TWO PLACE	(.00)	±.015
THREE PLACE	(.000)	±.005
ANGLES		±

WEIGHT .050 LB.

FORMTEK

DRAWN

74-96