

MICRO SWITCH
a Honeywell Division

FED. MFG. CODE 91929

SWITCH - BASIC

CATALOG LISTING
YZ-2RDS555116-D6-S

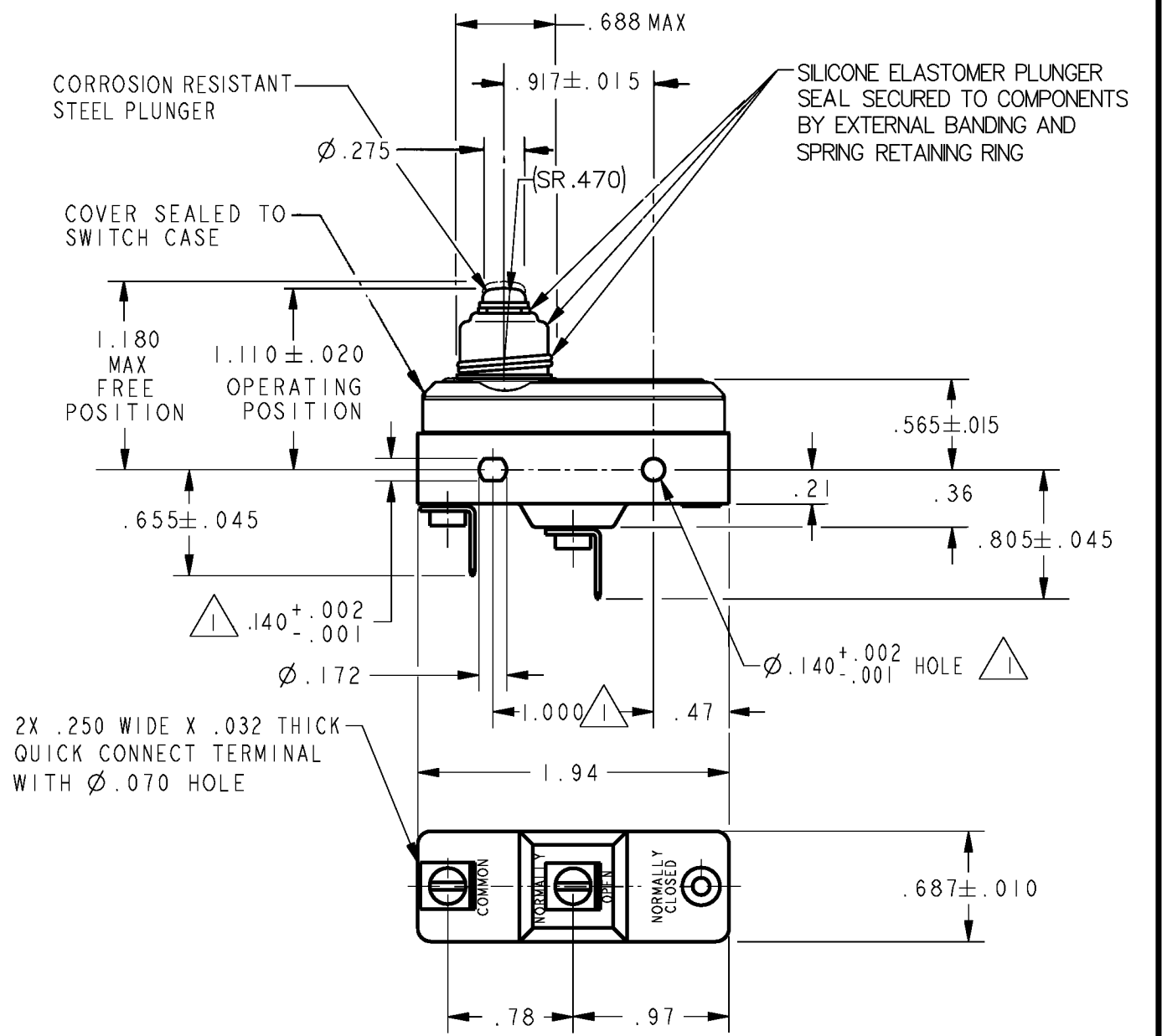
AWP2768

CATALOG LISTING
YZ-2RDS555116-D6-S
PAGE 1 OF 1
REPLACES X113270-YZ
RELEASE NO. 201475

ISSUE 3

REVISIONS
A 0001352 JAH 03AUG03
B 0017586 TSG 09JAN06

CHECK RJ 10 OCT 00
CHECK SAV 10 OCT 00
CHECK CSL 10 OCT 00
DRAWN RASTER



NOTES
 MOUNTING HOLES WILL ACCEPT PINS OR SCREWS OF Ø.139 MAX ON 1.000 ± .002 CENTERS
 2 - SEALED CONSTRUCTION PROVIDES SPLASH RESISTANCE

ANSI Y14.5M-1982 APPLIES

THIS DRAWING COVERS A PROPRIETARY ITEM AND IS THE PROPERTY OF MICRO SWITCH, A DIVISION OF HONEYWELL. THIS DRAWING IS NOT TO BE COPIED OR USED WITHOUT THE APPROVAL OF MICRO SWITCH.

THIRD ANGLE PROJECTION

CHARACTERISTICS	ELECTRICAL DATA	SCALE FULL	DO NOT SCALE PRINT
OPERATING FORCE ----- 8-19 OZ	CONTACT ARRANGEMENT S P N O	UNLESS OTHERWISE SPECIFIED TOLERANCES ARE	ONE PLACE (.0) ±.030
RELEASE FORCE ----- 4 OZ MIN	L96		
DIFFERENTIAL TRAVEL ----- .0004 - .0025	15A 125, 250 OR 480 VAC	TWO PLACE (.00) ±.015	THREE PLACE (.000) ±.005
OVERTRAVEL ----- .062 MIN	1/8HP 125 VAC, 1/4HP 250 VAC	ANGLES	±
	1/2A 125 VDC, 1/4A 250 VDC	WEIGHT	.076 LB
	L288 L306 L315		
	16A 250V T85 5E4		