



MICRO SWITCH

FREEPORT, ILLINOIS, U.S.A.
A DIVISION OF HONEYWELL

FED. MFG. CODE 91929

SWITCH-BASIC

CATALOG LISTING
WA-2R-A2

WA-2R-A2
PAGE 1 OF 1

M

DRAWING
NUMBER

ISSUE
13

REPLACES

RELEASE NO.

CHECK

REVISIONS

A	COI5200	RLD	18 FEB 66
B	CO-73287-J	JAL	22 NOV 93
C	CO-77591	DAW	22 JUN 94
D	CO-79125	SAD	30 NOV 94
E	CO93346	DLT	26 AUG 98

CHECK

CHECK

CHECK

CHECK

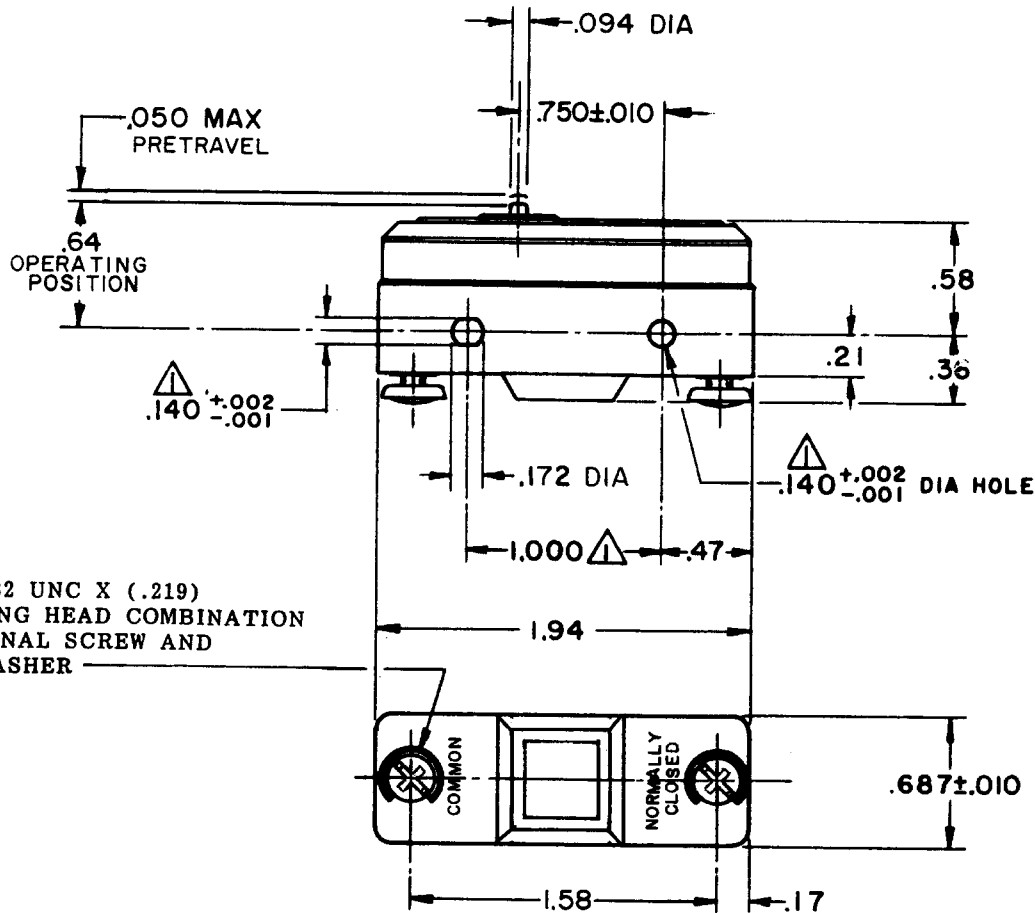
CHECK

CHECK

CHECK

CHECK

CHECK



2X 6-32 UNC X (.219)
BINDING HEAD COMBINATION
TERMINAL SCREW AND
CUPWASHER

NOTE -
▲ MOUNTING HOLES WILL ACCEPT PINS OR SCREWS
OF .139 MAX DIA ON 1.000±.002 CENTERS

THIS DRAWING COVERS A PROPRIETARY ITEM AND IS THE PROPERTY OF MICRO SWITCH, A DIVISION OF HONEYWELL. THIS DRAWING IS NOT TO BE COPIED OR USED WITHOUT THE APPROVAL OF MICRO SWITCH.

CHARACTERISTICS

OPERATING FORCE-----14-22 OZ
RELEASE FORCE-----10 OZ MIN
DIFFERENTIAL TRAVEL-----.0020-.0075
OVERTRAVEL-----.010 MIN

ELECTRICAL DATA

CONTACT ARRANGEMENT
S P N C

L23 UNDERWRITERS' LAB. INC. LISTED RATING
20A - 125, 250 OR 480 VAC
10A - 125 VAC "L"
1HP - 125 VAC, 2HP - 250 VAC
1/2A - 125 VDC, 1/4A - 250 VDC

L288
L299
L308

CE D SP

20(3)A 250V ~ T85 5E4

SCALE FULL

DO NOT SCALE PRINT

UNLESS OTHERWISE NOTED

DIMENSIONS ARE IN INCHES

TOLERANCES ARE:

ONE PLACE (.0) ±.030
TWO PLACE (.00) ±.015
THREE PLACE (.000) ±.005
ANGLES ±

WEIGHT .063 LB

FORMTEK

DRAWN

RLD 18 FEB 66

CHECK

CHECK

CHECK

CHECK

CHECK

CHECK

CHECK

CHECK