

# MICRO SWITCH

FREERPORT ILLINOIS, U.S.A  
A DIVISION OF HONEYWELL  
FED. MFG. CODE 91929

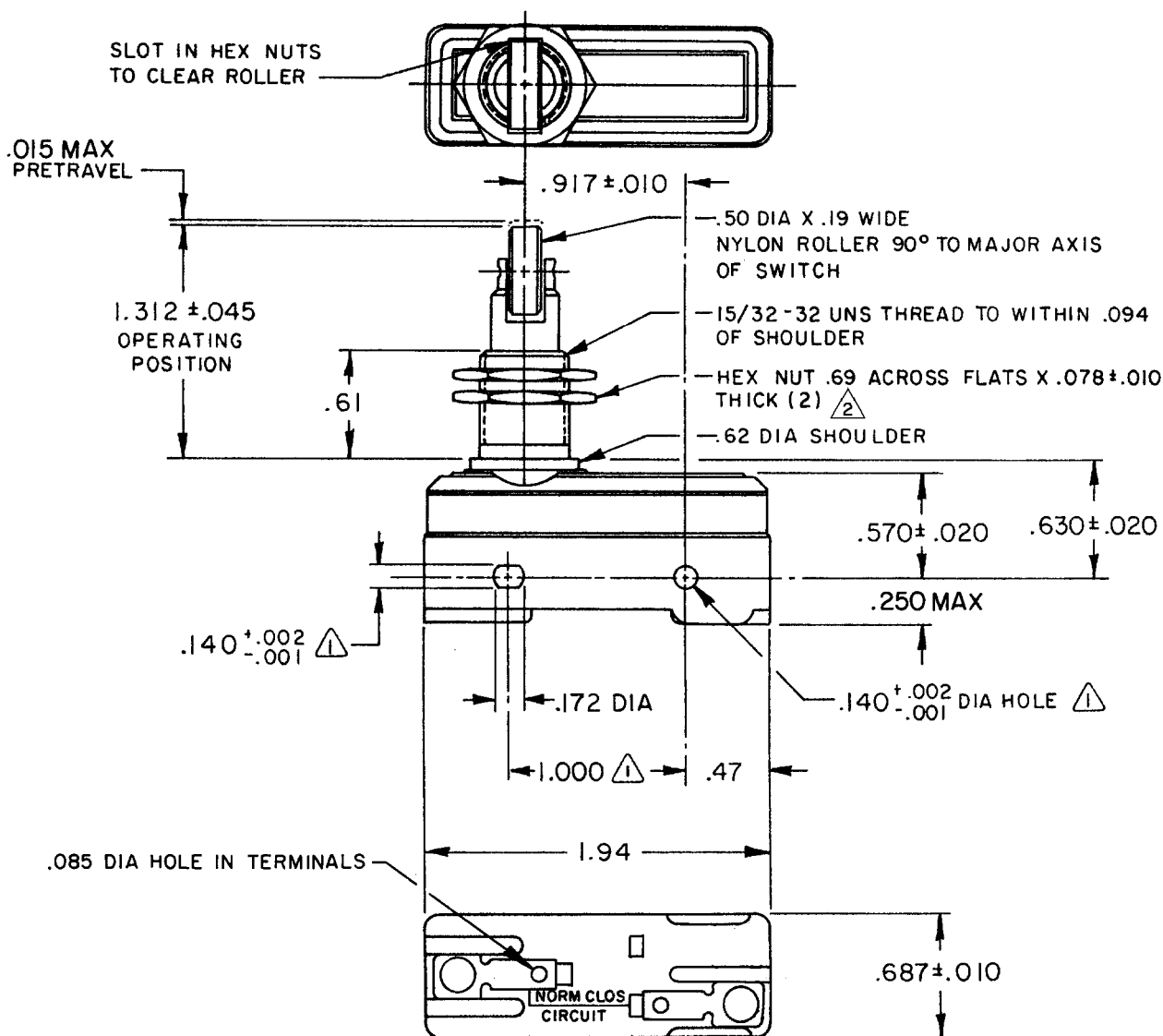
# SWITCH-BASIC

CATALOG LISTING

WZ-2RQ1846

ATP2000

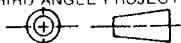
WZ-2RQ1846  
 PAGE 1 OF 1  
 M  
 DRAWING NUMBER  
 5  
 ISSUE  
 REVISIONS  
 A CO-77592 DAW 15 AUG 94  
 B CO-82133 CSL 2 AUG 96  
 C CO93346 DLT 21 SEP 98  
 D 0017585 LKM 20 FEB 06  
 TSK 21 AUG 86 CHECK KAG 20 AUG 86  
 FORMTEK  
 FO-52848-A  
 DRAWN  
 RELEASE NO. PR-15008  
 REPLACES X85323-WZ



- NOTES
- $\triangle 1$  MOUNTING HOLES WILL ACCEPT PINS OR SCREWS OF .139 MAX DIA ON 1.000 ±.002 CENTERS
  - $\triangle 2$  HARDWARE FURNISHED UNASSEMBLED

THIS DRAWING COVERS A PROPRIETARY ITEM AND IS THE PROPERTY OF MICRO SWITCH, A DIVISION OF HONEYWELL. THIS DRAWING IS NOT TO BE COPIED OR USED WITHOUT THE APPROVAL OF MICRO SWITCH.

THIRD ANGLE PROJECTION



### CHARACTERISTICS

OPERATING FORCE ----- 9-13 OZ  
 RELEASE FORCE ----- 4 OZ MIN  
 DIFFERENTIAL TRAVEL -- .0004-.0020  
 OVERTRAVEL ----- .141 MIN

### ELECTRICAL DATA

CONTACT ARRANGEMENT  
S P N C

L96 15A 125, 250 OR 480 VAC  
 1/8 HP 125 VAC, 1/4 HP 250 VAC  
 1/2A 125 VDC, 1/4A 250 VDC

L288  
L315  
L306



16A 250V ~ T85 5E4

SCALE FULL

DO NOT SCALE PRINT

TOLERANCES  
APPLY TO DESIGN UNITS. CONVERSIONS ARE ONLY FOR REFERENCE. UNLESS NOTED, TOLERANCES ARE ±

	DIM. mm	TOL. mm/in	DIM. in	TOL. mm/in
NO PLACES	X	1/04		
ONE PLACE	X,X	0.4/016	X,X	0.8/03
TWO PLACES	X,XX	0.15/006	X,XX	0.38/015
THREE PLACES	X,XXX		X,XXX	0.13/005

DESIGN UNITS  SI METRIC  US CUSTOMARY

WEIGHT .107 LB