

MICRO SWITCH

FREEDPORT ILLINOIS, U.S.A
A DIVISION OF HONEYWELL
FED. MFG. CODE 91929

SWITCH - BASIC

CATALOG LISTING

V3L-3052

CQ-X1863

REPLACES X48216 - V3L

RELEASE NO. PR-2659

V3L-3052

M

DRAWING NUMBER

27

ISSUE

27

CHECK

REVISIONS

A	CO31198	JAH	8 NOV 72
B	CO55729	KEW	5 SEP 84
C	CO 86987	WHA	1 OCT 85
D	CO71543	JAS	6 FEB 91
E	CO 72552	CO	72552
F	CO 78232	DHS	9 NOV 93

CHECK

19 MAY 72

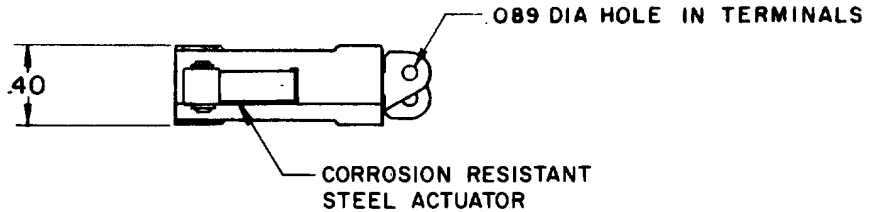
19 MAY 72

19 MAY 72

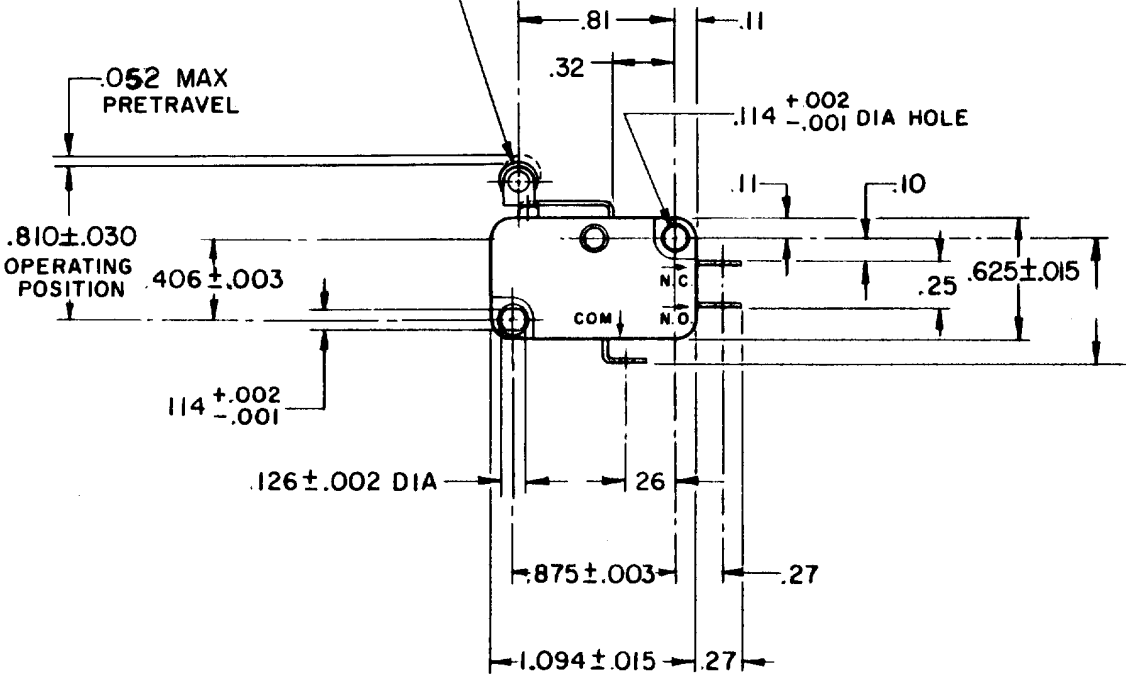
19 MAY 72

19 MAY 72

19 MAY 72



.19 DIA X .19 WIDE OIL BRONZE ROLLER (CONCENTRICITY .005 TIR)



NOTES

- 1 SWITCH MATERIALS WILL WITHSTAND TEMPERATURE OF 300° F
- 2 CAUTION: OVERTRAVEL FORCE ON LEVER MUST NOT RESULT IN AN OVERTRAVEL FORCE ON PLUNGER EXCEEDING FIVE POUNDS
- 3 TERMINALS ARE PLATED FOR SOLDERING

THIS DRAWING COVERS A PROPRIETARY ITEM AND IS THE PROPERTY OF MICRO SWITCH, A DIVISION OF HONEYWELL. THIS DRAWING IS NOT TO BE COPIED OR USED WITHOUT THE APPROVAL OF MICRO SWITCH.

CHARACTERISTICS	ELECTRICAL DATA	SCALE FULL
OPERATING FORCE - - - - - 180 GRAM MAX	CONTACT ARRANGEMENT S P D T	DO NOT SCALE PRINT
RELEASE FORCE - - - - - 15 GRAM MIN	15.1A 1/2HP 125 OR 250 VAC 1/2A 125 VDC, 1/4A 250 VDC 5A 125 VAC "L" 	UNLESS OTHERWISE NOTED DIMENSIONS ARE IN INCHES
DIFFERENTIAL TRAVEL - - - - .012 MAX		TOLERANCES ARE
OVERTRAVEL - - - - - .032 MIN		ONE PLACE (.01) ± .030
RELEASE TRAVEL - - - - - .007 MIN		TWO PLACE (.00) ± .015
		THREE PLACE (.000) ± .005
		ANGLES ±
		WEIGHT

FO-52848 DRAWN