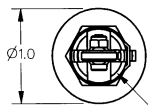
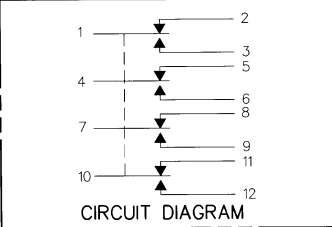


MICRO SWITCH
a Honeywell Division

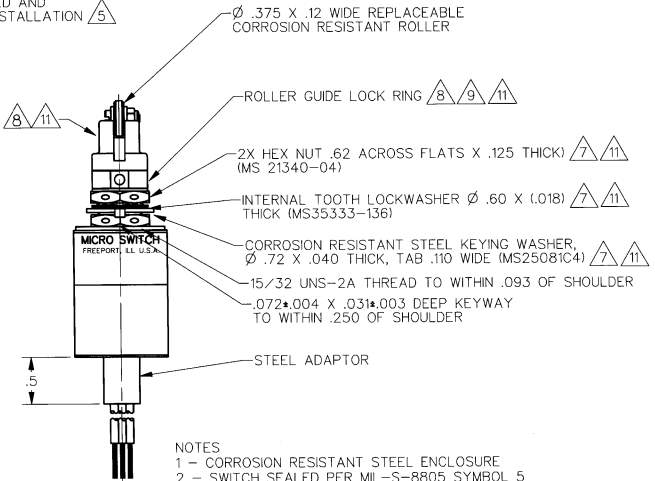
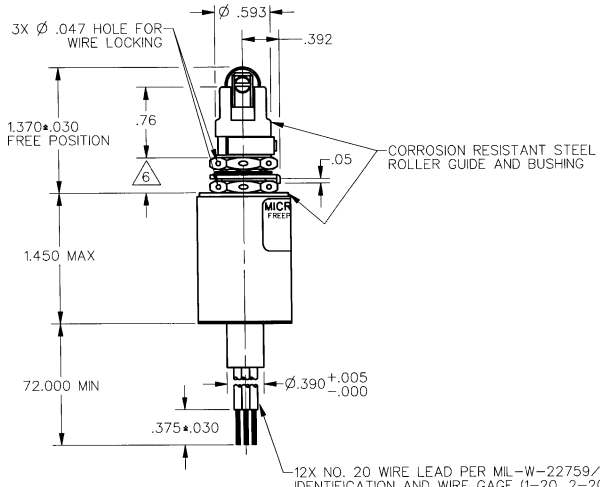
SWITCH-ENCLOSED

CATALOG LISTING
624HE223-6B

FED. MFG. CODE 91929



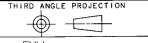
ROLLER GUIDE MAY BE LOCKED IN INCREMENTS OF 45° AZIMUTH. IT MAY ALSO BE UNSCREWED AND REMOVED FROM BUSHING TO FACILITATE INSTALLATION (5)



- NOTES
- 1 - CORROSION RESISTANT STEEL ENCLOSURE
 - 2 - SWITCH SEALED PER MIL-S-8805 SYMBOL 5
 - 3 - CIRCUIT DIAGRAM AND CATALOG LISTING ARE SHOWN ON NAMEPLATE
 - 4 - COINCIDENCE OF OPERATING AND RELEASING POINTS: $.010$ INCH OF PLUNGER TRAVEL
 - 5 - TO ADJUST ROLLER DIRECTION REMOVE ROLLER GUIDE LOCK RING SCREW ROLLER GUIDE TO DESIRED DIRECTION, SECURE BY REPLACING ROLLER GUIDE LOCK RING
 - 6 - ROLLER GUIDE LOCATION CAN VARY BETWEEN $.362$ AND $.520$ WHILE MAINTAINING $.125$ MIN OVERTRAVEL
 - 7 - REPLACEMENT MOUNTING HARDWARE - PACKET 19PA9
 - 8 - REPLACEMENT ROLLER GUIDE AND LOCK RING - PACKET 15PA289-HE
 - 9 - REPLACEMENT LOCK RING - PACKET 15PA107
 - 10 - FOR OPERATION IN TEMPERATURE RANGE OF MINUS 65°F TO PLUS 275°F
 - 11 - HARDWARE MAY BE PACKAGED UNASSEMBLED PER MIL-L-8805

DDM/CAD
 DRAWN
 15 AUG 91
 CHECK
 TSM
 19 AUG 91
 CHECK
 MAM
 2 NOV 94
 ISSUE
 3
 DRAWING NUMBER
 624HE223-6B
 REPLACES
 PR-19471
 RELEASE NO.

THIS DRAWING COVERS A PROPRIETARY ITEM AND IS THE PROPERTY OF MICRO SWITCH, A DIVISION OF HONEYWELL. THIS DRAWING IS NOT TO BE COPIED OR USED WITHOUT THE APPROVAL OF MICRO SWITCH



CHARACTERISTICS	
OPERATING FORCE	5 - 12 LB
FULL OVERTRAVEL FORCE	30 LB MAX
RELEASE FORCE	3 LB MIN
PRETRAVEL	.040 MAX
DIFFERENTIAL TRAVEL	.020 MAX
OVERTRAVEL	.125 MIN

ELECTRICAL DATA	
CONTACT ARRANGEMENT S P D T (2)	
LOAD	28 VDC
RES	SEA LEVEL & 50,000 FT.
IND	1
MOTOR	0.5

TOLERANCES	
ONE PLACE	(.0) $\pm .030$
TWO PLACE	(.00) $\pm .015$
THREE PLACE	(.000) $\pm .005$
ANGLES	\pm
WEIGHT	