

DUAL ENTRY KEY OPERATED SAFETY INTERLOCK NOMENCLATURE

GK

BODY / INDICATOR		CONDUIT	BASIC \triangle	HEAD	KEY				
B	NO INDICATOR	A	1/2 NPT	1	SNAP ACTION 1 NC - 1 NO, A600	L	OPENING TO FRONT AND TOP	6	STRAIGHT
C	SINGLE LED INDICATOR	B	PG 13.5	2	SNAP ACTION 2 NC - 2 NO, A600	M	OPENING TO RIGHT AND TOP	7	90 DEGREE
D	DOUBLE LED INDICATOR	C	20 MM	3	SLOW ACTING 1 NC - 1 NO BBM, A600	N	OPENING TO BACK AND TOP	8	UP-DOWN - SPRING LOADED
		D	PF 1/2	4	SLOW ACTING 1 NC - 1 NO MBB, A600	P	OPENING TO LEFT AND TOP	9	SIDE-SIDE - SPRING LOADED
				6	SLOW ACTING 2 NC, A500			X	NO KEY
				7	SNAP ACTION 1 NC - 1 NO - GOLD, A600				
				10	SLOW ACTING 4 NC, A300				
				12	SLOW ACTING 2 NC - 1 NO BBM, A300				
				14	SLOW ACTING 2 NC - 2 NO BBM, A300				
				16	SLOW ACTING 3 NC - 1 NO BBM, A300				
				30	SLOW ACTING 4 NC - GOLD, A300				
				32	SLOW ACTING 2 NC - 1 NO BBM - GOLD, A300				
				34	SLOW ACTING 2 NC - 2 NO BBM - GOLD, A300				
				36	SLOW ACTING 3 NC - 1 NO BBM - GOLD, A300				

NOTES

- ZINC DIECAST BODY AND HEAD WITH STEEL COVER. BODY, HEAD AND COVER FINISHED WITH EPOXY PAINT
- MINIMUM OPERATING VELOCITY (Vmin) = 10 mm/S
 MAXIMUM OPERATING VELOCITY (Vmax) = 39 in/S
 MAXIMUM OPERATING FREQUENCY (Fmax) = 100 OPS/MIN
- NO CHANGES CAN BE MADE TO THIS DRAWING WITHOUT JOINT FREEPORT/NEWHOUSE APPROVAL
- INSERTION FORCE = 35N NOM
 8 LB
 EXTRACTION FORCE = 28 N NOM
 6 LB
- SNAP ACTION N.C. CONTACTS: POSITIVE OPENING
 SLOW MAKE AND BREAK N.C. CONTACTS: DIRECT ACTING
- WHEN KEY IS INSERTED: N.C. TERMINALS ARE 11/12, 21/22, 31/32 AND/OR 41/42
 N.O. TERMINALS ARE 13/14, 23/24, 33/34 AND/OR 43/44
- THE MAXIMUM VOLTAGE, V_e OF GKC AND GKD SERIES PRODUCTS IS THE MAXIMUM RATED VOLTAGE OF INDICATION LIGHTS: 12 TO 250 VAC/DC FOR GKC AND 18 TO 30 VDC FOR GKD
- THE LEFT INDICATOR IS GREEN AND IS INTENDED TO INDICATE "POWER ON". THIS FEATURE IS ON GKD SERIES PRODUCTS ONLY.
 THE RIGHT INDICATOR IS YELLOW AND IS INTENDED TO INDICATE "OUTPUT STATUS". THIS FEATURE IS ON GKC AND GKD SERIES PRODUCTS ONLY
- SEE BASIC SWITCH COLUMN FOR VOLTAGE RATING
- T-15 TAMPER PROOF TORX DRIVER BIT PROVIDED
- SWITCH MUST OPERATE BEFORE REACHING MINIMUM INSERTION DISTANCE
- "S" MARK APPROVAL APPLICABLE ONLY FOR GK TYPE BA14XXX, BA16XXX SERIES ONLY

ELECTRICAL RATING \triangle		ENVIRONMENTAL	APPROVALS
AC		IP 67 NEMA 1, 4, 12 & 13	 IEC 947-5-1 EN50041
A300/A600 Ue \triangle	AC15 Ie	TEMP RANGE: -25°C TO 85°C -13°F TO 185°F	
DC		STORAGE: -40°C TO 85°C -40°F TO 185°F	
(VOLTS)	(AMPS)	SHOCK: 50G PER IEC 68-2-27	
120	6	VIBRATION: 10G PER IEC 68-2-6	
240	3		
380	1.9		
480	1.5		
500	1.4		
600	1.2		
Ith = 10A			

THIS DRAWING COVERS A PROPRIETARY ITEM AND IS THE PROPERTY OF MICRO SWITCH, A DIVISION OF HONEYWELL. THIS DRAWING IS NOT TO BE COPIED OR USED WITHOUT THE APPROVAL OF MICRO SWITCH.

MICRO SWITCH
a Honeywell Division

SWITCH - LIMIT

CATALOG LISTING
GK SERIES CHART 3

FED. MFG. CODE 91229

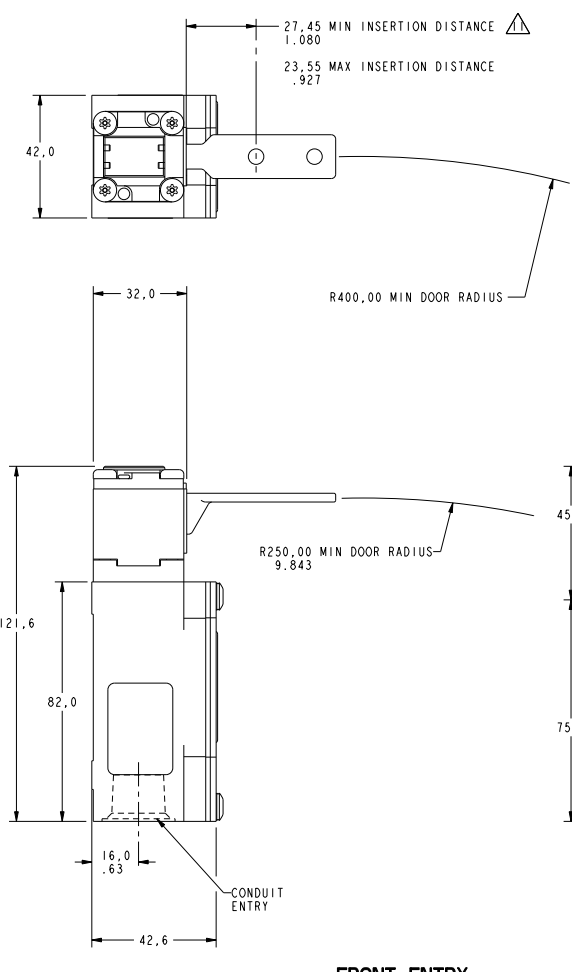
THIRD ANGLE PROJECTION		
SCALE NONE		
DO NOT SCALE PRINT		
UNLESS OTHERWISE SPECIFIED TOLERANCES ARE		
ONE PLACE	(.01)	±.030
TWO PLACES	(.001)	±.015
THREE PLACES	(.0001)	±.005
ANGLES		±
WEIGHT APPROX .5 KG / 1 LB		

ANSI Y14.5M-1982 APPLIES

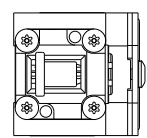
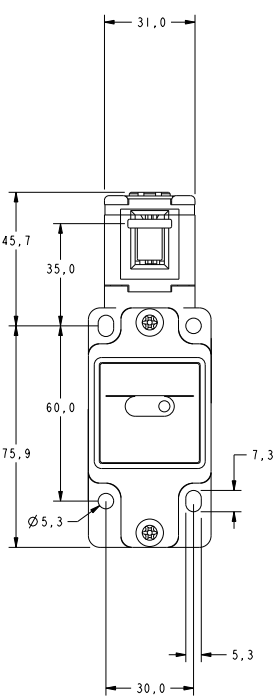
PTC/CAD 10
 DATE 128 AUG 28 2003
 DRAWN 128 AUG 28 2003
 CHECKED 128 AUG 28 2003
 APPROVED 128 AUG 28 2003
 MICRO SWITCH
 HONEYWELL
 300 N. ZEEB RD.
 MOOREVILLE, NC 27555
 TEL: 919-286-8000
 FAX: 919-286-8001
 WWW.MICROSWITCH.COM
 07/JAN/03
 REVISIONS
 1 OF 8
 GK SERIES CHART 3
 PRODUCT

P.T.C./CAD 130
 M.M. 128 AUG 88
 J.M.
 20025008
 20047425
 14
 01JAN09
 01JAN09
 172MAY93
 209211
 208727
 208527
 208302
 208193
 208176
 208161
 208151
 208141
 208131
 208121
 208111
 208101
 208091
 208081
 208071
 208061
 208051
 208041
 208031
 208021
 208011
 208001
 207991
 207981
 207971
 207961
 207951
 207941
 207931
 207921
 207911
 207901
 207891
 207881
 207871
 207861
 207851
 207841
 207831
 207821
 207811
 207801
 207791
 207781
 207771
 207761
 207751
 207741
 207731
 207721
 207711
 207701
 207691
 207681
 207671
 207661
 207651
 207641
 207631
 207621
 207611
 207601
 207591
 207581
 207571
 207561
 207551
 207541
 207531
 207521
 207511
 207501
 207491
 207481
 207471
 207461
 207451
 207441
 207431
 207421
 207411
 207401
 207391
 207381
 207371
 207361
 207351
 207341
 207331
 207321
 207311
 207301
 207291
 207281
 207271
 207261
 207251
 207241
 207231
 207221
 207211
 207201
 207191
 207181
 207171
 207161
 207151
 207141
 207131
 207121
 207111
 207101
 207091
 207081
 207071
 207061
 207051
 207041
 207031
 207021
 207011
 207001
 206991
 206981
 206971
 206961
 206951
 206941
 206931
 206921
 206911
 206901
 206891
 206881
 206871
 206861
 206851
 206841
 206831
 206821
 206811
 206801
 206791
 206781
 206771
 206761
 206751
 206741
 206731
 206721
 206711
 206701
 206691
 206681
 206671
 206661
 206651
 206641
 206631
 206621
 206611
 206601
 206591
 206581
 206571
 206561
 206551
 206541
 206531
 206521
 206511
 206501
 206491
 206481
 206471
 206461
 206451
 206441
 206431
 206421
 206411
 206401
 206391
 206381
 206371
 206361
 206351
 206341
 206331
 206321
 206311
 206301
 206291
 206281
 206271
 206261
 206251
 206241
 206231
 206221
 206211
 206201
 206191
 206181
 206171
 206161
 206151
 206141
 206131
 206121
 206111
 206101
 206091
 206081
 206071
 206061
 206051
 206041
 206031
 206021
 206011
 206001
 205991
 205981
 205971
 205961
 205951
 205941
 205931
 205921
 205911
 205901
 205891
 205881
 205871
 205861
 205851
 205841
 205831
 205821
 205811
 205801
 205791
 205781
 205771
 205761
 205751
 205741
 205731
 205721
 205711
 205701
 205691
 205681
 205671
 205661
 205651
 205641
 205631
 205621
 205611
 205601
 205591
 205581
 205571
 205561
 205551
 205541
 205531
 205521
 205511
 205501
 205491
 205481
 205471
 205461
 205451
 205441
 205431
 205421
 205411
 205401
 205391
 205381
 205371
 205361
 205351
 205341
 205331
 205321
 205311
 205301
 205291
 205281
 205271
 205261
 205251
 205241
 205231
 205221
 205211
 205201
 205191
 205181
 205171
 205161
 205151
 205141
 205131
 205121
 205111
 205101
 205091
 205081
 205071
 205061
 205051
 205041
 205031
 205021
 205011
 205001
 204991
 204981
 204971
 204961
 204951
 204941
 204931
 204921
 204911
 204901
 204891
 204881
 204871
 204861
 204851
 204841
 204831
 204821
 204811
 204801
 204791
 204781
 204771
 204761
 204751
 204741
 204731
 204721
 204711
 204701
 204691
 204681
 204671
 204661
 204651
 204641
 204631
 204621
 204611
 204601
 204591
 204581
 204571
 204561
 204551
 204541
 204531
 204521
 204511
 204501
 204491
 204481
 204471
 204461
 204451
 204441
 204431
 204421
 204411
 204401
 204391
 204381
 204371
 204361
 204351
 204341
 204331
 204321
 204311
 204301
 204291
 204281
 204271
 204261
 204251
 204241
 204231
 204221
 204211
 204201
 204191
 204181
 204171
 204161
 204151
 204141
 204131
 204121
 204111
 204101
 204091
 204081
 204071
 204061
 204051
 204041
 204031
 204021
 204011
 204001
 203991
 203981
 203971
 203961
 203951
 203941
 203931
 203921
 203911
 203901
 203891
 203881
 203871
 203861
 203851
 203841
 203831
 203821
 203811
 203801
 203791
 203781
 203771
 203761
 203751
 203741
 203731
 203721
 203711
 203701
 203691
 203681
 203671
 203661
 203651
 203641
 203631
 203621
 203611
 203601
 203591
 203581
 203571
 203561
 203551
 203541
 203531
 203521
 203511
 203501
 203491
 203481
 203471
 203461
 203451
 203441
 203431
 203421
 203411
 203401
 203391
 203381
 203371
 203361
 203351
 203341
 203331
 203321
 203311
 203301
 203291
 203281
 203271
 203261
 203251
 203241
 203231
 203221
 203211
 203201
 203191
 203181
 203171
 203161
 203151
 203141
 203131
 203121
 203111
 203101
 203091
 203081
 203071
 203061
 203051
 203041
 203031
 203021
 203011
 203001
 202991
 202981
 202971
 202961
 202951
 202941
 202931
 202921
 202911
 202901
 202891
 202881
 202871
 202861
 202851
 202841
 202831
 202821
 202811
 202801
 202791
 202781
 202771
 202761
 202751
 202741
 202731
 202721
 202711
 202701
 202691
 202681
 202671
 202661
 202651
 202641
 202631
 202621
 202611
 202601
 202591
 202581
 202571
 202561
 202551
 202541
 202531
 202521
 202511
 202501
 202491
 202481
 202471
 202461
 202451
 202441
 202431
 202421
 202411
 202401
 202391
 202381
 202371
 202361
 202351
 202341
 202331
 202321
 202311
 202301
 202291
 202281
 202271
 202261
 202251
 202241
 202231
 202221
 202211
 202201
 202191
 202181
 202171
 202161
 202151
 202141
 202131
 202121
 202111
 202101
 202091
 202081
 202071
 202061
 202051
 202041
 202031
 202021
 202011
 202001
 201991
 201981
 201971
 201961
 201951
 201941
 201931
 201921
 201911
 201901
 201891
 201881
 201871
 201861
 201851
 201841
 201831
 201821
 201811
 201801
 201791
 201781
 201771
 201761
 201751
 201741
 201731
 201721
 201711
 201701
 201691
 201681
 201671
 201661
 201651
 201641
 201631
 201621
 201611
 201601
 201591
 201581
 201571
 201561
 201551
 201541
 201531
 201521
 201511
 201501
 201491
 201481
 201471
 201461
 201451
 201441
 201431
 201421
 201411
 201401
 201391
 201381
 201371
 201361
 201351
 201341
 201331
 201321
 201311
 201301
 201291
 201281
 201271
 201261
 201251
 201241
 201231
 201221
 201211
 201201
 201191
 201181
 201171
 201161
 201151
 201141
 201131
 201121
 201111
 201101
 201091
 201081
 201071
 201061
 201051
 201041
 201031
 201021
 201011
 201001
 200991
 200981
 200971
 200961
 200951
 200941
 200931
 200921
 200911
 200901
 200891
 200881
 200871
 200861
 200851
 200841
 200831
 200821
 200811
 200801
 200791
 200781
 200771
 200761
 200751
 200741
 200731
 200721
 200711
 200701
 200691
 200681
 200671
 200661
 200651
 200641
 200631
 200621
 200611
 200601
 200591
 200581
 200571
 200561
 200551
 200541
 200531
 200521
 200511
 200501
 200491
 200481
 200471
 200461
 200451
 200441
 200431
 200421
 200411
 200401
 200391
 200381
 200371
 200361
 200351
 200341
 200331
 200321
 200311
 200301
 200291
 200281
 200271
 200261
 200251
 200241
 200231
 200221
 200211
 200201
 200191
 200181
 200171
 200161
 200151
 200141
 200131
 200121
 200111
 200101
 200091
 200081
 200071
 200061
 200051
 200041
 200031
 200021
 200011
 200001

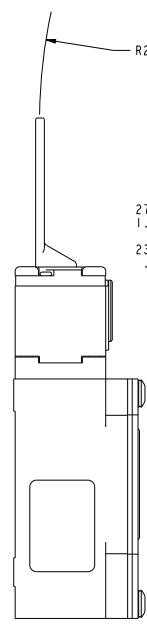
GK SERIES CHART 3



FRONT ENTRY



R400.00 MIN DOOR RADIUS



TOP ENTRY

THIRD ANGLE PROJECTION		
SCALE FULL		
DO NOT SCALE PRINT		
UNLESS OTHERWISE SPECIFIED TOLERANCES ARE		
ONE PLACE	(.01)	±.030
TWO PLACES	(.001)	±.015
THREE PLACES	(.0001)	±.005
ANGLES		±
WEIGHT APPROX .5 KG / 1 LB		

THIS DRAWING COVERS A PROPRIETARY ITEM AND IS THE PROPERTY OF MICRO SWITCH, A DIVISION OF HONEYWELL. THIS DRAWING IS NOT TO BE COPIED OR USED WITHOUT THE APPROVAL OF MICRO SWITCH.

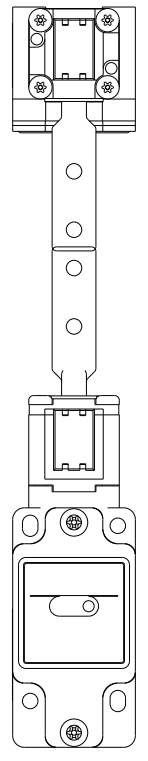
MICROSWITCH
a Honeywell Division

SWITCH - LIMIT

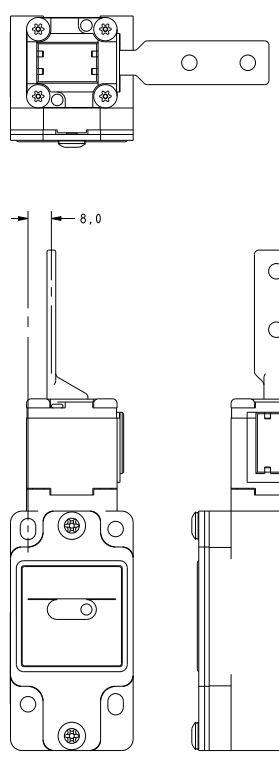
CATALOG LISTING
GK SERIES CHART 3

ANSI Y14.5M-1982 APPLIES

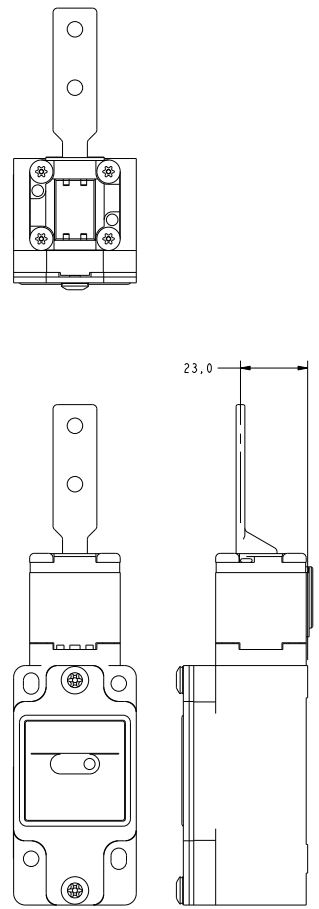
FED. MFG. CODE 91829



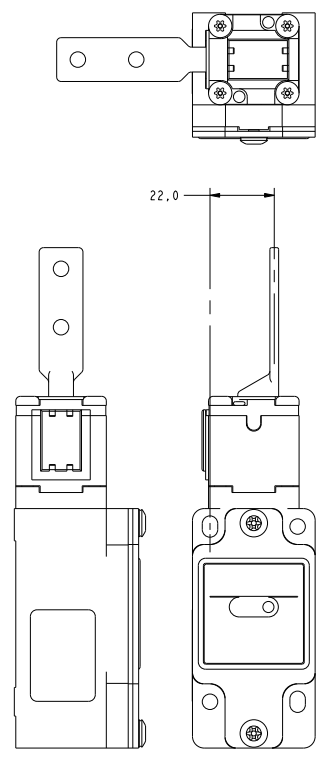
HEAD CODE L



HEAD CODE M



HEAD CODE N



HEAD CODE P

P.T.C./CAD 30
 MAR 13 10:38 AM '88
 MICRO SWITCH
 GK SERIES CHART 3
 ISSUE 30
 MICRO SWITCH
 1100 W. JEFFERSON AVE.
 ARIZONA, U.S.A. 85604
 TEL. (602) 500-2000
 FAX (602) 500-2000
 C 208974 JUN 82
 D 207883 JUN 82
 E 207883 JUN 82
 F 207883 JUN 82
 G 208974 JUN 82
 H 0025008 JUN 82
 I 0047425 JUN 82
 J 0047425 JUN 82
 REV. 15-0885
 A 208974
 B 208974
 C 208974
 D 207883
 E 207883
 F 207883
 G 208974
 H 0025008
 I 0047425
 J 0047425
 MICRO SWITCH
 1100 W. JEFFERSON AVE.
 ARIZONA, U.S.A. 85604
 TEL. (602) 500-2000
 FAX (602) 500-2000
 C 208974 JUN 82
 D 207883 JUN 82
 E 207883 JUN 82
 F 207883 JUN 82
 G 208974 JUN 82
 H 0025008 JUN 82
 I 0047425 JUN 82
 J 0047425 JUN 82

THIS DRAWING COVERS A PROPRIETARY ITEM AND IS THE PROPERTY OF MICRO SWITCH, A DIVISION OF HONEYWELL. THIS DRAWING IS NOT TO BE COPIED OR USED WITHOUT THE APPROVAL OF MICRO SWITCH.

MICRO SWITCH
a Honeywell Division

SWITCH - LIMIT

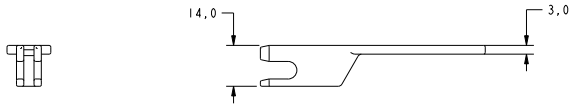
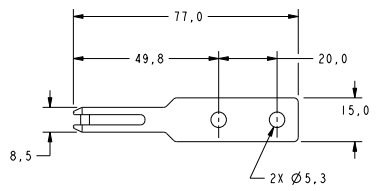
CATALOG LISTING
GK SERIES CHART 3

THIRD ANGLE PROJECTION	
SCALE FULL	
DO NOT SCALE PRINT	
UNLESS OTHERWISE SPECIFIED TOLERANCES ARE	
ONE PLACE	(.01) ±.030
TWO PLACES	(.001) ±.015
THREE PLACES	(.0001) ±.005
ANGLES	±
WEIGHT APPROX .5 HG / 1 LB	

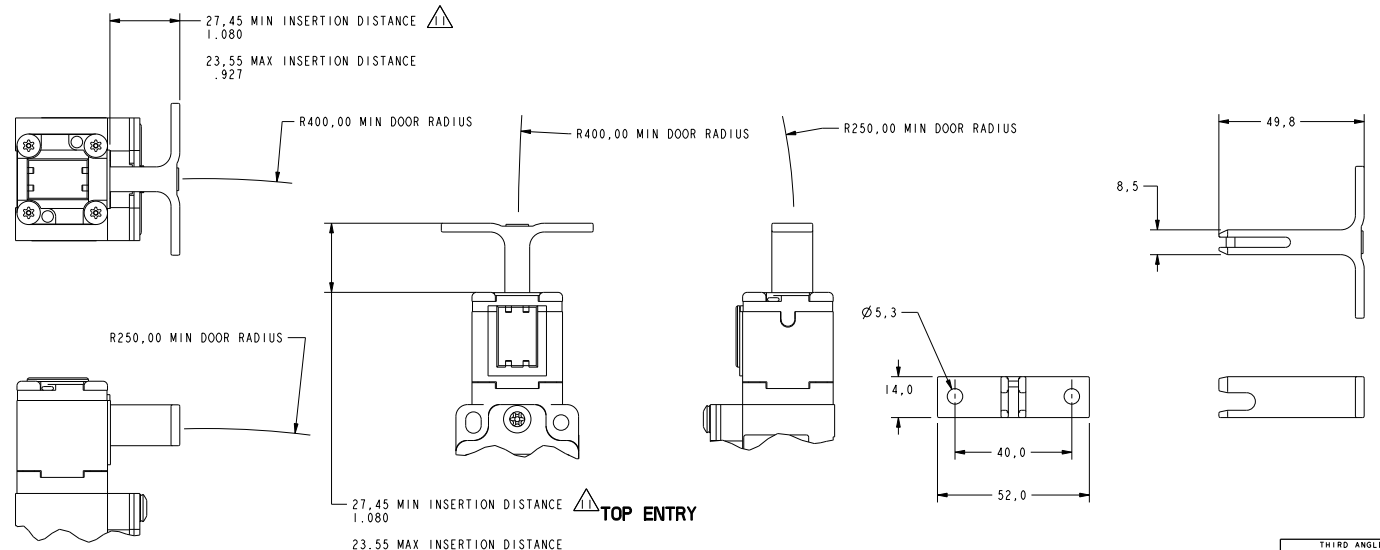
ANSI Y14.5M-1982 APPLIES

P.T.C./CAD 30
 MAN 131 AUG 88
 REV 100
 ISSUE 00
 GK SERIES CHART 3
 PART 4 OF 8
 07 JAN 83
 RS
 21 SEP 82
 DM
 208974
 208975
 208976
 208977
 208978
 208979
 208980
 208981
 208982
 208983
 208984
 208985
 208986
 208987
 208988
 208989
 208990
 208991
 208992
 208993
 208994
 208995
 208996
 208997
 208998
 208999
 209000

M GK SERIES CHART 3



KEY CODE 6



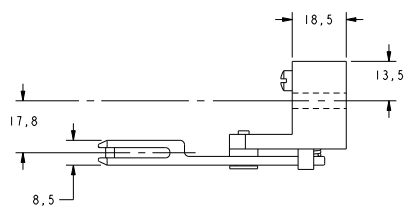
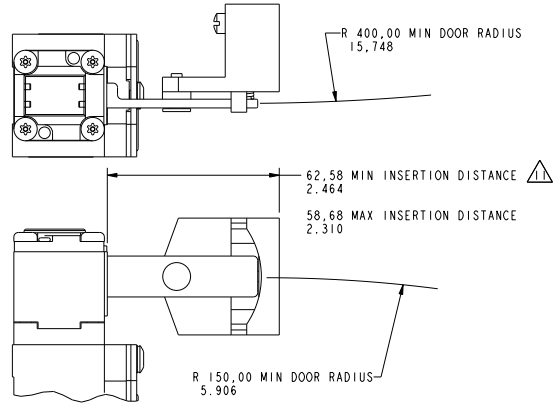
FRONT ENTRY

KEY CODE 7

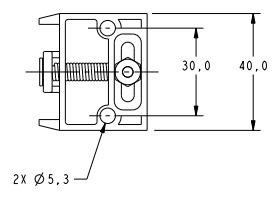
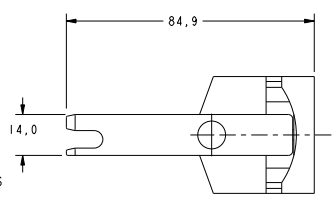
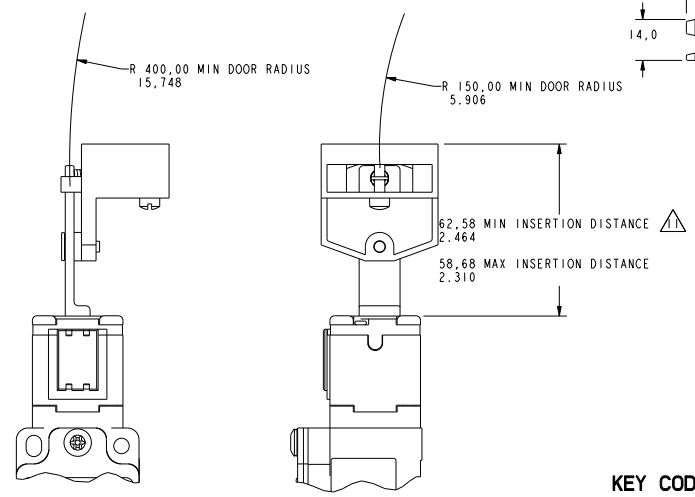
THIS DRAWING COVERS A PROPRIETARY ITEM AND IS THE PROPERTY OF MICRO SWITCH, A DIVISION OF HONEYWELL. THIS DRAWING IS NOT TO BE COPIED OR USED WITHOUT THE APPROVAL OF MICRO SWITCH.
MICROSWITCH
 a Honeywell Division
SWITCH - LIMIT
 CATALOG LISTING
GK SERIES CHART 3

THIRD ANGLE PROJECTION		
SCALE FULL		
DO NOT SCALE PRINT		
UNLESS OTHERWISE SPECIFIED TOLERANCES ARE		
ONE PLACE	(.01)	±.030
TWO PLACES	(.00)	±.015
THREE PLACES	(.000)	±.005
ANGLES		±
WEIGHT APPROX .5 KG / 1 LB		

ANSI Y14.5M-1982 APPLIES



FRONT ENTRY



TOP ENTRY

KEY CODE 8

THIS DRAWING COVERS A PROPRIETARY ITEM AND IS THE PROPERTY OF MICRO SWITCH, A DIVISION OF HONEYWELL. THIS DRAWING IS NOT TO BE COPIED OR USED WITHOUT THE APPROVAL OF MICRO SWITCH.

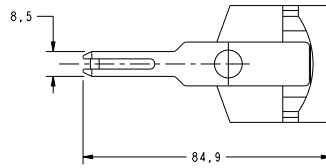
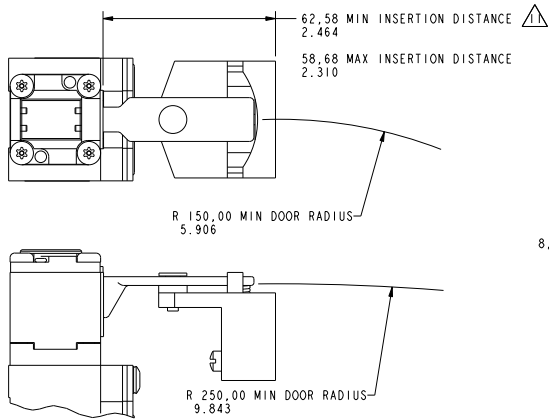
MICRO SWITCH a Honeywell Division	SWITCH - LIMIT	CATALOG LISTING GK SERIES CHART 3
---	-----------------------	---

FED. MFG. CODE 91828

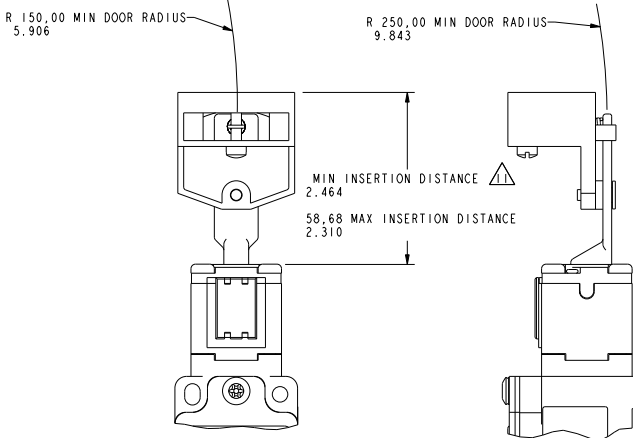
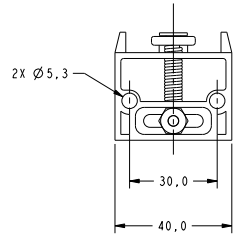
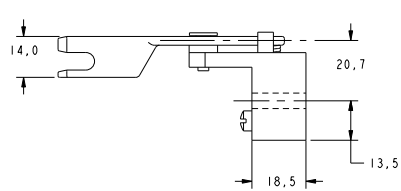
THIRD ANGLE PROJECTION			
SCALE FULL		DO NOT SCALE PRINT	
UNLESS OTHERWISE SPECIFIED TOLERANCES ARE			
ONE PLACE	(.01)	±.030	
TWO PLACES	(.001)	±.015	
THREE PLACES	(.0001)	±.005	
ANGLES		±	
WEIGHT APPROX. .5 KG / 1 LB			

ANSI Y14.5M-1982 APPLIES

P.T.C./CAD 30
 MAN 1 SEP 98
 MICRO SWITCH
 REVISIONS:
 A 208374
 B 208374
 C 208374
 D 208374
 E 208374
 F 208374
 G 208374
 H 208374
 I 208374
 J 208374



FRONT ENTRY



TOP ENTRY

KEY CODE 9

THIS DRAWING COVERS A PROPRIETARY ITEM AND IS THE PROPERTY OF MICRO SWITCH, A DIVISION OF HONEYWELL. THIS DRAWING IS NOT TO BE COPIED OR USED WITHOUT THE APPROVAL OF MICRO SWITCH.

MICROSWITCH
a Honeywell Division

SWITCH - LIMIT

CATALOG LISTING
GK SERIES CHART 3

THIRD ANGLE PROJECTION

SCALE FULL

DO NOT SCALE PRINT

UNLESS OTHERWISE SPECIFIED TOLERANCES ARE

ONE PLACE	(.01)	±.030
TWO PLACES	(.001)	±.015
THREE PLACES	(.000)	±.005
ANGLES		±

WEIGHT APPROX .5 KG / 1 LB

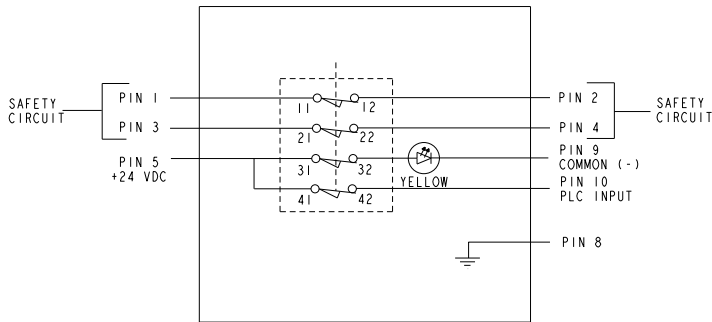
ANSI Y14.5M-1982 APPLIES

FED. MFG. CODE 91829

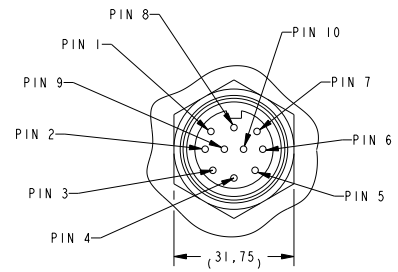
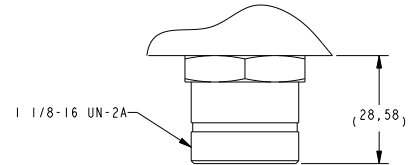
P.T.C./CAD 130
 MAN 1 SEP 98
 REV 15:0895
 A 208774
 B 208774
 C 208774
 D 207883
 E 208774
 F 207574
 G 0000385
 H 0025208
 I 0047425
 J 0047425
 K 0047425
 L 0047425
 M 0047425
 N 0047425
 O 0047425
 P 0047425
 Q 0047425
 R 0047425
 S 0047425
 T 0047425
 U 0047425
 V 0047425
 W 0047425
 X 0047425
 Y 0047425
 Z 0047425
 AA 0047425
 AB 0047425
 AC 0047425
 AD 0047425
 AE 0047425
 AF 0047425
 AG 0047425
 AH 0047425
 AI 0047425
 AJ 0047425
 AK 0047425
 AL 0047425
 AM 0047425
 AN 0047425
 AO 0047425
 AP 0047425
 AQ 0047425
 AR 0047425
 AS 0047425
 AT 0047425
 AU 0047425
 AV 0047425
 AW 0047425
 AX 0047425
 AY 0047425
 AZ 0047425
 BA 0047425
 BB 0047425
 BC 0047425
 BD 0047425
 BE 0047425
 BF 0047425
 BG 0047425
 BH 0047425
 BI 0047425
 BJ 0047425
 BK 0047425
 BL 0047425
 BM 0047425
 BN 0047425
 BO 0047425
 BP 0047425
 BQ 0047425
 BR 0047425
 BS 0047425
 BT 0047425
 BU 0047425
 BV 0047425
 BV 0047425
 BW 0047425
 BX 0047425
 BY 0047425
 BY 0047425
 BZ 0047425
 CA 0047425
 CB 0047425
 CC 0047425
 CD 0047425
 CE 0047425
 CF 0047425
 CG 0047425
 CH 0047425
 CI 0047425
 CJ 0047425
 CK 0047425
 CL 0047425
 CM 0047425
 CN 0047425
 CO 0047425
 CP 0047425
 CQ 0047425
 CR 0047425
 CS 0047425
 CT 0047425
 CU 0047425
 CV 0047425
 CV 0047425
 CW 0047425
 CX 0047425
 CY 0047425
 CY 0047425
 CZ 0047425
 DA 0047425
 DB 0047425
 DC 0047425
 DD 0047425
 DE 0047425
 DF 0047425
 DG 0047425
 DH 0047425
 DI 0047425
 DJ 0047425
 DK 0047425
 DL 0047425
 DM 0047425
 DN 0047425
 DO 0047425
 DP 0047425
 DQ 0047425
 DR 0047425
 DS 0047425
 DT 0047425
 DU 0047425
 DV 0047425
 DV 0047425
 DW 0047425
 DX 0047425
 DY 0047425
 DY 0047425
 DZ 0047425
 EA 0047425
 EB 0047425
 EC 0047425
 ED 0047425
 EE 0047425
 EF 0047425
 EG 0047425
 EH 0047425
 EI 0047425
 EJ 0047425
 EK 0047425
 EL 0047425
 EM 0047425
 EN 0047425
 EO 0047425
 EP 0047425
 EQ 0047425
 ER 0047425
 ES 0047425
 ET 0047425
 EU 0047425
 EV 0047425
 EV 0047425
 EW 0047425
 EX 0047425
 EY 0047425
 EY 0047425
 EZ 0047425
 FA 0047425
 FB 0047425
 FC 0047425
 FD 0047425
 FE 0047425
 FF 0047425
 FG 0047425
 FH 0047425
 FI 0047425
 FJ 0047425
 FK 0047425
 FL 0047425
 FM 0047425
 FN 0047425
 FO 0047425
 FP 0047425
 FQ 0047425
 FR 0047425
 FS 0047425
 FT 0047425
 FU 0047425
 FV 0047425
 FV 0047425
 FW 0047425
 FX 0047425
 FY 0047425
 FY 0047425
 FZ 0047425
 GA 0047425
 GB 0047425
 GC 0047425
 GD 0047425
 GE 0047425
 GF 0047425
 GG 0047425
 GH 0047425
 GI 0047425
 GJ 0047425
 GK 0047425
 GL 0047425
 GM 0047425
 GN 0047425
 GO 0047425
 GP 0047425
 GQ 0047425
 GR 0047425
 GS 0047425
 GT 0047425
 GU 0047425
 GV 0047425
 GV 0047425
 GW 0047425
 GX 0047425
 GY 0047425
 GY 0047425
 GZ 0047425
 HA 0047425
 HB 0047425
 HC 0047425
 HD 0047425
 HE 0047425
 HF 0047425
 HG 0047425
 HH 0047425
 HI 0047425
 HJ 0047425
 HK 0047425
 HL 0047425
 HM 0047425
 HN 0047425
 HO 0047425
 HP 0047425
 HQ 0047425
 HR 0047425
 HS 0047425
 HT 0047425
 HU 0047425
 HV 0047425
 HV 0047425
 HW 0047425
 HX 0047425
 HY 0047425
 HY 0047425
 HZ 0047425
 IA 0047425
 IB 0047425
 IC 0047425
 ID 0047425
 IE 0047425
 IF 0047425
 IG 0047425
 IH 0047425
 II 0047425
 IJ 0047425
 IK 0047425
 IL 0047425
 IM 0047425
 IN 0047425
 IO 0047425
 IP 0047425
 IQ 0047425
 IR 0047425
 IS 0047425
 IT 0047425
 IU 0047425
 IV 0047425
 IV 0047425
 IW 0047425
 IX 0047425
 IY 0047425
 IY 0047425
 IZ 0047425
 JA 0047425
 JB 0047425
 JC 0047425
 JD 0047425
 JE 0047425
 JF 0047425
 JG 0047425
 JH 0047425
 JI 0047425
 JJ 0047425
 JK 0047425
 JL 0047425
 JM 0047425
 JN 0047425
 JO 0047425
 JP 0047425
 JQ 0047425
 JR 0047425
 JS 0047425
 JT 0047425
 JU 0047425
 JV 0047425
 JV 0047425
 JW 0047425
 JX 0047425
 JY 0047425
 JY 0047425
 JZ 0047425
 KA 0047425
 KB 0047425
 KC 0047425
 KD 0047425
 KE 0047425
 KF 0047425
 KG 0047425
 KH 0047425
 KI 0047425
 KJ 0047425
 KK 0047425
 KL 0047425
 KM 0047425
 KN 0047425
 KO 0047425
 KP 0047425
 KQ 0047425
 KR 0047425
 KS 0047425
 KT 0047425
 KU 0047425
 KV 0047425
 KV 0047425
 KW 0047425
 KX 0047425
 KY 0047425
 KY 0047425
 KZ 0047425
 LA 0047425
 LB 0047425
 LC 0047425
 LD 0047425
 LE 0047425
 LF 0047425
 LG 0047425
 LH 0047425
 LI 0047425
 LJ 0047425
 LK 0047425
 LL 0047425
 LM 0047425
 LN 0047425
 LO 0047425
 LP 0047425
 LQ 0047425
 LR 0047425
 LS 0047425
 LT 0047425
 LU 0047425
 LV 0047425
 LV 0047425
 LW 0047425
 LX 0047425
 LY 0047425
 LY 0047425
 LZ 0047425
 MA 0047425
 MB 0047425
 MC 0047425
 MD 0047425
 ME 0047425
 MF 0047425
 MG 0047425
 MH 0047425
 MI 0047425
 MJ 0047425
 MK 0047425
 ML 0047425
 MM 0047425
 MN 0047425
 MO 0047425
 MP 0047425
 MQ 0047425
 MR 0047425
 MS 0047425
 MT 0047425
 MU 0047425
 MV 0047425
 MV 0047425
 MW 0047425
 MX 0047425
 MY 0047425
 MY 0047425
 MZ 0047425
 NA 0047425
 NB 0047425
 NC 0047425
 ND 0047425
 NE 0047425
 NF 0047425
 NG 0047425
 NH 0047425
 NI 0047425
 NJ 0047425
 NK 0047425
 NL 0047425
 NM 0047425
 NN 0047425
 NO 0047425
 NP 0047425
 NQ 0047425
 NR 0047425
 NS 0047425
 NT 0047425
 NU 0047425
 NV 0047425
 NV 0047425
 NW 0047425
 NX 0047425
 NY 0047425
 NY 0047425
 NZ 0047425
 OA 0047425
 OB 0047425
 OC 0047425
 OD 0047425
 OE 0047425
 OF 0047425
 OG 0047425
 OH 0047425
 OI 0047425
 OJ 0047425
 OK 0047425
 OL 0047425
 OM 0047425
 ON 0047425
 OO 0047425
 OP 0047425
 OQ 0047425
 OR 0047425
 OS 0047425
 OT 0047425
 OU 0047425
 OV 0047425
 OV 0047425
 OW 0047425
 OX 0047425
 OY 0047425
 OY 0047425
 OZ 0047425
 PA 0047425
 PB 0047425
 PC 0047425
 PD 0047425
 PE 0047425
 PF 0047425
 PG 0047425
 PH 0047425
 PI 0047425
 PJ 0047425
 PK 0047425
 PL 0047425
 PM 0047425
 PN 0047425
 PO 0047425
 PP 0047425
 PQ 0047425
 PR 0047425
 PS 0047425
 PT 0047425
 PU 0047425
 PV 0047425
 PV 0047425
 PW 0047425
 PX 0047425
 PY 0047425
 PY 0047425
 PZ 0047425
 QA 0047425
 QB 0047425
 QC 0047425
 QD 0047425
 QE 0047425
 QF 0047425
 QG 0047425
 QH 0047425
 QI 0047425
 QJ 0047425
 QK 0047425
 QL 0047425
 QM 0047425
 QN 0047425
 QO 0047425
 QP 0047425
 QQ 0047425
 QR 0047425
 QS 0047425
 QT 0047425
 QU 0047425
 QV 0047425
 QV 0047425
 QW 0047425
 QX 0047425
 QY 0047425
 QY 0047425
 QZ 0047425
 RA 0047425
 RB 0047425
 RC 0047425
 RD 0047425
 RE 0047425
 RF 0047425
 RG 0047425
 RH 0047425
 RI 0047425
 RJ 0047425
 RK 0047425
 RL 0047425
 RM 0047425
 RN 0047425
 RO 0047425
 RP 0047425
 RQ 0047425
 RR 0047425
 RS 0047425
 RT 0047425
 RU 0047425
 RV 0047425
 RV 0047425
 RW 0047425
 RX 0047425
 RY 0047425
 RY 0047425
 RZ 0047425
 SA 0047425
 SB 0047425
 SC 0047425
 SD 0047425
 SE 0047425
 SF 0047425
 SG 0047425
 SH 0047425
 SI 0047425
 SJ 0047425
 SK 0047425
 SL 0047425
 SM 0047425
 SN 0047425
 SO 0047425
 SP 0047425
 SQ 0047425
 SR 0047425
 SS 0047425
 ST 0047425
 SU 0047425
 SV 0047425
 SV 0047425
 SW 0047425
 SX 0047425
 SY 0047425
 SY 0047425
 SZ 0047425
 TA 0047425
 TB 0047425
 TC 0047425
 TD 0047425
 TE 0047425
 TF 0047425
 TG 0047425
 TH 0047425
 TI 0047425
 TJ 0047425
 TK 0047425
 TL 0047425
 TM 0047425
 TN 0047425
 TO 0047425
 TP 0047425
 TQ 0047425
 TR 0047425
 TS 0047425
 TT 0047425
 TU 0047425
 TV 0047425
 TV 0047425
 TW 0047425
 TX 0047425
 TY 0047425
 TY 0047425
 TZ 0047425
 UA 0047425
 UB 0047425
 UC 0047425
 UD 0047425
 UE 0047425
 UF 0047425
 UG 0047425
 UH 0047425
 UI 0047425
 UJ 0047425
 UK 0047425
 UL 0047425
 UM 0047425
 UN 0047425
 UO 0047425
 UP 0047425
 UQ 0047425
 UR 0047425
 US 0047425
 UT 0047425
 UU 0047425
 UV 0047425
 UV 0047425
 UW 0047425
 UX 0047425
 UY 0047425
 UY 0047425
 UZ 0047425
 VA 0047425
 VB 0047425
 VC 0047425
 VD 0047425
 VE 0047425
 VF 0047425
 VG 0047425
 VH 0047425
 VI 0047425
 VJ 0047425
 VK 0047425
 VL 0047425
 VM 0047425
 VN 0047425
 VO 0047425
 VP 0047425
 VQ 0047425
 VR 0047425
 VS 0047425
 VT 0047425
 VU 0047425
 VV 0047425
 VV 0047425
 VW 0047425
 VX 0047425
 VY 0047425
 VY 0047425
 VZ 0047425
 WA 0047425
 WB 0047425
 WC 0047425
 WD 0047425
 WE 0047425
 WF 0047425
 WG 0047425
 WH 0047425
 WI 0047425
 WJ 0047425
 WK 0047425
 WL 0047425
 WM 0047425
 WN 0047425
 WO 0047425
 WP 0047425
 WQ 0047425
 WR 0047425
 WS 0047425
 WT 0047425
 WU 0047425
 WV 0047425
 WV 0047425
 WW 0047425
 WX 0047425
 WY 0047425
 WY 0047425
 WZ 0047425
 XA 0047425
 XB 0047425
 XC 0047425
 XD 0047425
 XE 0047425
 XF 0047425
 XG 0047425
 XH 0047425
 XI 0047425
 XJ 0047425
 XK 0047425
 XL 0047425
 XM 0047425
 XN 0047425
 XO 0047425
 XP 0047425
 XQ 0047425
 XR 0047425
 XS 0047425
 XT 0047425
 XU 0047425
 XV 0047425
 XV 0047425
 XW 0047425
 XX 0047425
 XY 0047425
 XY 0047425
 XZ 0047425
 YA 0047425
 YB 0047425
 YC 0047425
 YD 0047425
 YE 0047425
 YF 0047425
 YG 0047425
 YH 0047425
 YI 0047425
 YJ 0047425
 YK 0047425
 YL 0047425
 YM 0047425
 YN 0047425
 YO 0047425
 YP 0047425
 YQ 0047425
 YR 0047425
 YS 0047425
 YT 0047425
 YU 0047425
 YV 0047425
 YV 0047425
 YW 0047425
 YX 0047425
 YY 0047425
 YY 0047425
 YZ 0047425
 ZA 0047425
 ZB 0047425
 ZC 0047425
 ZD 0047425
 ZE 0047425
 ZF 0047425
 ZG 0047425
 ZH 0047425
 ZI 0047425
 ZJ 0047425
 ZK 0047425
 ZL 0047425
 ZM 0047425
 ZN 0047425
 ZO 0047425
 ZP 0047425
 ZQ 0047425
 ZR 0047425
 ZS 0047425
 ZT 0047425
 ZU 0047425
 ZV 0047425
 ZV 0047425
 ZW 0047425
 ZX 0047425
 ZY 0047425
 ZY 0047425
 ZZ 0047425

ISSUE	30	CATALOG LISTING		GK SERIES CHART 3	
		PAGE 7 OF 8		REPLACES	
		07 JAN 09		RELEASE NO. PR-23758	
REVISIONS		CHECK		CHECK	
A	206394		21 SEP 06		
B	206443				
C	206976				
D	207003				
E	207211				
F	207576				
G	208035				
H	208508				
J	208742				
LJK	11 NOV 99	CHECK	JAF	11 NOV 99	CHECK
PTC/CAD	3D				

MODIFICATION CODE: F06



SWITCH DIAGRAM STATE SHOWN WITH KEY INSERTED



300V 2.5A
BRAD HARRISON PART NO. 47205-22
OR EQUIVALENT

THIRD ANGLE PROJECTION			
DO NOT SCALE PRINT			
SCALE NONE			
TOLERANCES			
APPLY TO DESIGN UNITS. CONVERSIONS ARE ONLY FOR REFERENCE. UNLESS NOTED, TOLERANCES ARE:			
	INCH	TOL.	MILLIMETER
NO PLACES	±	1/64	± 0.254
ONE PLACE	±	0.0015	± 0.0381
TWO PLACES	±	0.0005	± 0.0127
THREE PLACES	±	0.0001	± 0.00254
ANGLES		±	0.0001
DESIGN UNITS	SI METRIC <input checked="" type="checkbox"/>		US CUSTOMARY <input type="checkbox"/>
WEIGHT APPROX .5KG / 1LB			

ANSI Y14.5M-1982 APPLIES

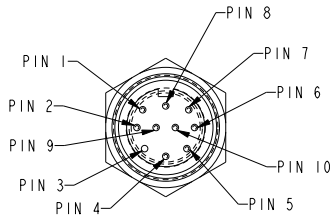
MICRO SWITCH
a Honeywell Division
FED. MFG. CODE 91929

SWITCH - DOOR INTERLOCK

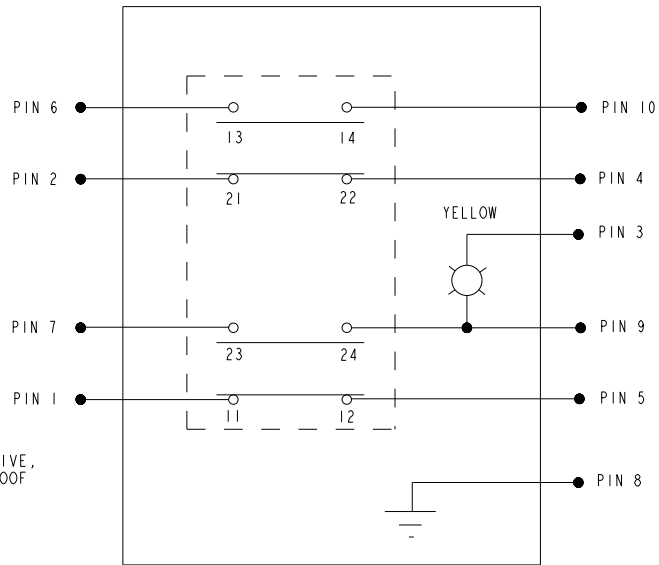
CATALOG LISTING
GK SERIES CHART 3

THIS DRAWING COVERS A PROPRIETARY ITEM AND IS THE PROPERTY OF MICRO SWITCH, A DIVISION OF HONEYWELL. THIS DRAWING IS NOT TO BE COPIED OR USED WITHOUT THE APPROVAL OF MICRO SWITCH

MODIFICATION CODE: FW



10-PIN CONNECTOR



**BASIC SWITCH TO 10-PIN CONNECTOR
CIRCUIT DIAGRAM
DIAGRAM SHOWN WITH KEY INSERTED**

NOTES

- 1 - THE TWO COVER SCREWS ARE COMBINATION DRIVE, THE FOUR HEAD SCREWS ARE T-15 TAMPER PROOF TORX DRIVE (DRIVER BIT IS PROVIDED)
- 10-PIN CONNECTOR, BRAD HARRISON PART NO. 47205-22 OR EQUIVALENT)

ISSUE	30	RS	07 JAN 09	RELEASE NO. PR-23758	REPLACES
	CATALOG LISTING GK SERIES CHART 3 PAGE 8 OF 8				
REVISIONS	A	206394	SM	21 SEP 06	CHECK
	B	204443	JLH	21 SEP 02	DVM
	C	206976	JLH	21 SEP 02	SAV
	D	207003	SM	18 JAN 00	CHECK
	E	207211	SM	18 JAN 00	CHECK
	F	207576	SM	18 JAN 00	CHECK
	G	0000385	SM	18 JAN 00	CHECK
	H	0025008	SM	18 JAN 00	CHECK
	J	0047425	SM	07 JAN 09	CHECK
PTC/CAD	3D				
DRAWN					

ANSI Y14.5M-1982 APPLIES

THIRD ANGLE PROJECTION			
SCALE	NONE		
DO NOT SCALE PRINT			
TOLERANCES			
APPLY TO DESIGN UNITS. CONVERSIONS ARE ONLY FOR REFERENCE, UNLESS NOTED. TOLERANCES ARE:			
	FR.	TOL.	FR.
	mm	mm ±	in
NO PLACES	±	1/.04	±1 0.01/0.1
ONE PLACE	±.1	0.07/0.16	±.01 0.30/0.65
TWO PLACES	±.01	0.157/0.06	±.001 0.13/0.05
THREE PLACES			
ANGLES			
DESIGN UNITS	<input checked="" type="checkbox"/> SI METRIC	<input type="checkbox"/> US CUSTOMARY	
WEIGHT	0,4 KG / 1LB		