

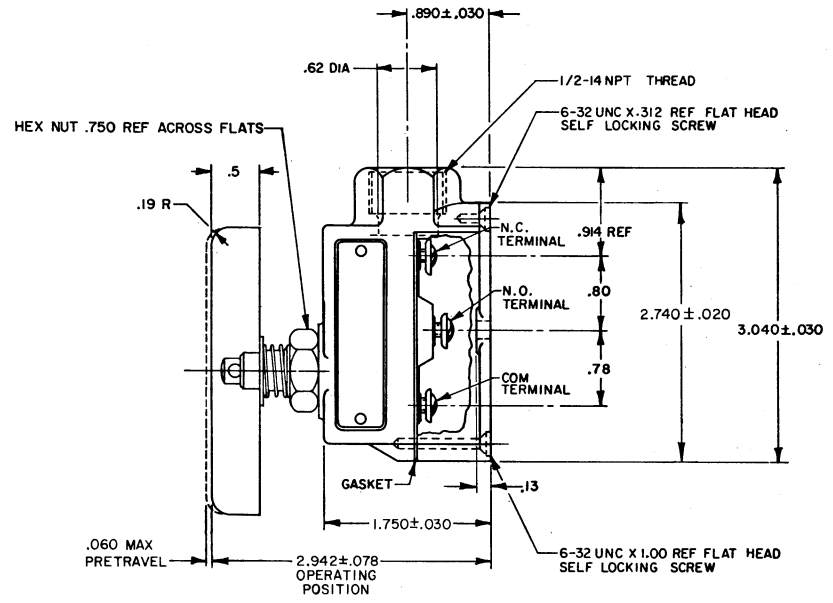
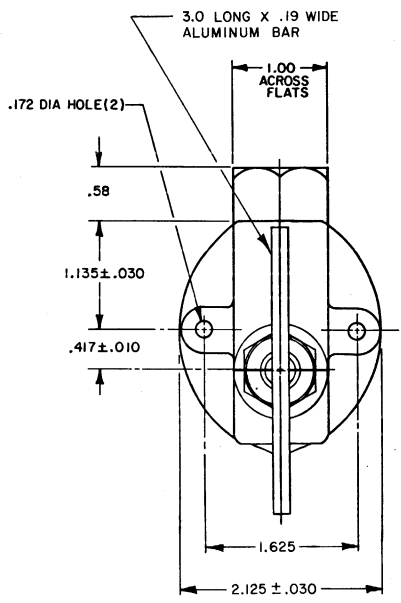
MICRO SWITCH
 FREEPORT ILLINOIS U.S.A.
 A DIVISION OF HONEYWELL
 FED. WFG. CODE 9128

SWITCH-ENCLOSED

CATALOG LISTING
BZV6-2RQ39

M

DRAWING NUMBER: BZV6-2RQ39
 ISSUE: X 15
 REVISIONS:
 A 055184E J A P MAR 81
 B 055989 C J H NOV 84
 C 055960N
 D 072661 O A W 16 SEP 82
 29 FEB 80
 WIN



NOTE -
 1 - 6-32 UNC X .219 REF TERMINAL SCREW AND CUPWASHER (3)

THIS DRAWING COVERS A PROPRIETARY ITEM AND IS THE PROPERTY OF MICRO SWITCH, A DIVISION OF HONEYWELL. THIS DRAWING IS NOT TO BE COPIED OR USED WITHOUT THE APPROVAL OF MICRO SWITCH.		THIRD ANGLE PROJECTION	SCALE FULL
DO NOT SCALE PRINT		TOLERANCES	
APPLY TO DESIGN DIMS. DIMENSIONS ARE ONLY FOR REFERENCE UNLESS NOTED. TOLERANCES ARE:		NO PLACES ± .005	
ONE PLACE ± .005		TWO PLACES ± .002	
THREE PLACES ± .001		FOUR PLACES ± .0005	
ANGLES ± .005		DESIGN UNITS	
MATERIAL - COMMERCIAL STANDARD		MICRO SWITCH STANDARDS APPLY	
DIMENSIONS ARE TO BE MET BEFORE PROTECTIVE COATINGS ARE APPLIED		WEIGHT .63 LB	
CHARACTERISTICS	ELECTRICAL DATA	CONTACT ARRANGEMENT	
OPERATING FORCE ----- 20-28 OZ	CONTACT ARRANGEMENT	SPDT	
RELEASE FORCE ----- 12 OZ MIN	15A-125, 250 OR 480 VAC; 2A-600 VAC	1/8 HP-125 VAC; 1/4 HP-250 VAC	
DIFFERENTIAL TRAVEL ----- .002 MAX	1/2A-125 VDC; 1/4A-250 VDC	CODE L74	
OVERTRAVEL ----- .070 MIN			