

MICRO SWITCH
a Honeywell Division
FED. MFG. CODE 91929

SWITCH - ENCLOSED

624HE222-6B

CATALOG LISTING

CATALOG LISTING
624HE222-6B

ISSUE
3

REVISIONS
A 205103
C S L
4 JUN 82

CHECK
4 JUN 02

CHECK
4 JUN 02

CHECK
4 JUN 02

PTC/CAD
20

DRAWN
C S L

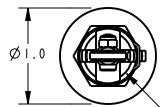
CHECK
4 JUN 02

CHECK
4 JUN 02

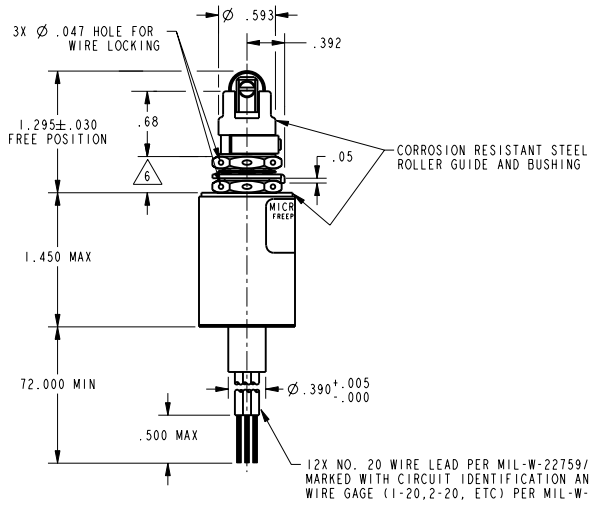
CHECK
4 JUN 02

CHECK
4 JUN 02

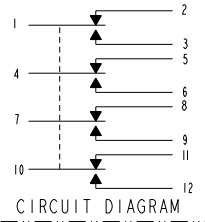
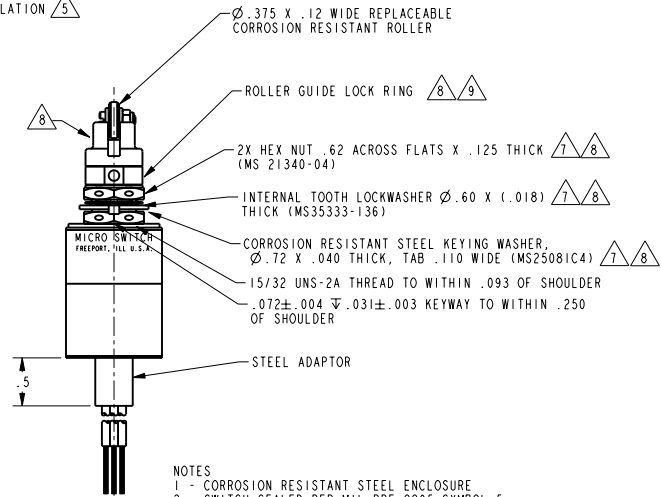
CHECK
4 JUN 02



ROLLER GUIDE MAY BE LOCKED IN INCREMENTS OF 45° AZIMUTH. IT MAY ALSO BE UNSCREWED AND REMOVED FROM BUSHING TO FACILITATE INSTALLATION



12X NO. 20 WIRE LEAD PER MIL-W-22759/7 MARKED WITH CIRCUIT IDENTIFICATION AND WIRE GAGE (1-20, 2-20, ETC) PER MIL-W-5088



THIS DRAWING COVERS A PROPRIETARY ITEM AND IS THE PROPERTY OF MICRO SWITCH, A DIVISION OF HONEYWELL. THIS DRAWING IS NOT TO BE COPIED OR USED WITHOUT THE APPROVAL OF MICRO SWITCH

CHARACTERISTICS	
OPERATING FORCE	5 - 12 LB
FULL OVERTRAVEL FORCE	30 LB MAX
RELEASE FORCE	3 LB MIN
PRETRAVEL	.040 MAX
DIFFERENTIAL TRAVEL	.020 MAX
OVERTRAVEL	.125 MIN

ELECTRICAL DATA	
CONTACT ARRANGEMENT 4X S P D T	
LOAD	28 VDC SEA LEVEL & 50,000 FT.
RES	1
IND	0.5
MOTOR	

THIRD ANGLE PROJECTION	
SCALE	FULL
DO NOT SCALE PRINT UNLESS OTHERWISE SPECIFIED TOLERANCES ARE	
ONE PLACE	(.01) ± .030
TWO PLACE	(.00) ± .015
THREE PLACE	(.000) ± .005
ANGLES	±
WEIGHT	

- NOTES**
- CORROSION RESISTANT STEEL ENCLOSURE
 - SWITCH SEALED PER MIL-PRF-8805 SYMBOL 5
 - CIRCUIT DIAGRAM AND CATALOG LISTING ARE SHOWN ON NAMEPLATE
 - COINCIDENCE OF OPERATING AND RELEASING POINTS: .010 INCH OF PLUNGER TRAVEL
 - TO ADJUST ROLLER DIRECTION REMOVE ROLLER GUIDE LOCK RING SCREW ROLLER GUIDE TO DESIRED DIRECTION, SECURE BY REPLACING ROLLER GUIDE LOCK RING
 - ROLLER GUIDE LOCATION CAN VARY BETWEEN .362 AND .520 WHILE MAINTAINING .125 MIN OVERTRAVEL
 - REPLACEMENT MOUNTING HARDWARE - PACKET 19PA9
 - HARDWARE MAY BE PACKAGED UNASSEMBLED PER MIL-PRF-8805
 - REPLACEMENT LOCK RING - PACKET 15PA107
 - FOR OPERATION IN TEMPERATURE RANGE OF - 65°F TO +275°F

ANSI Y14.5M-1982 APPLIES