

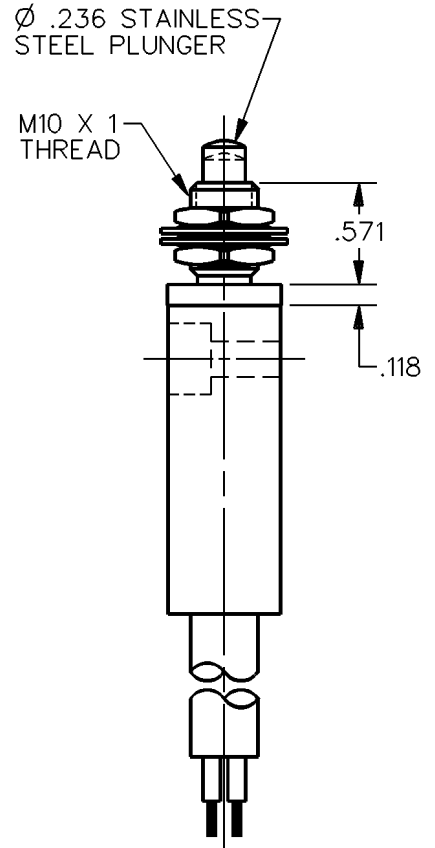
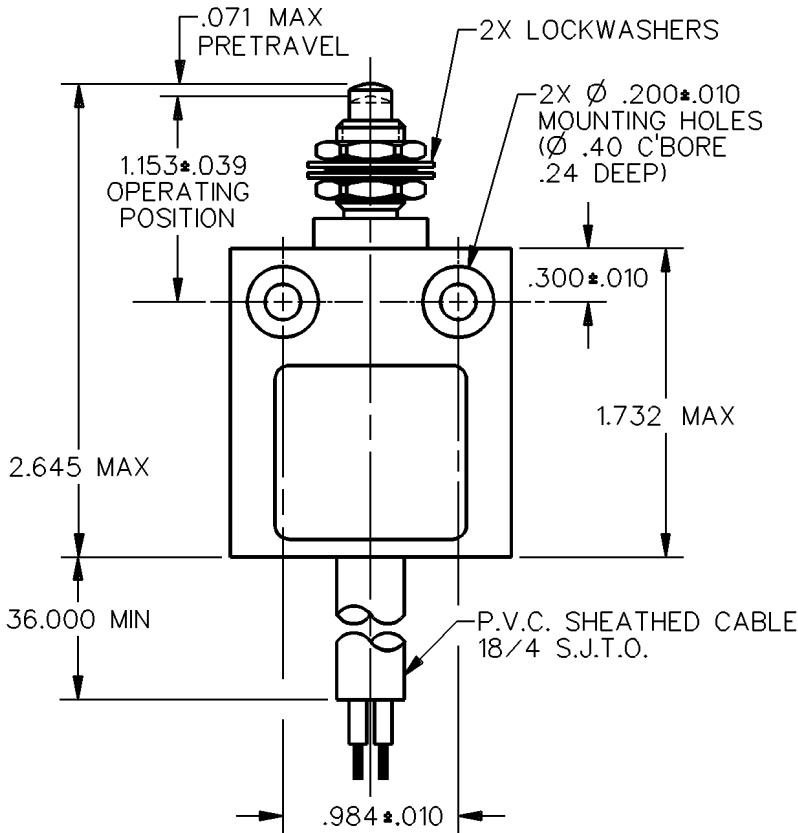
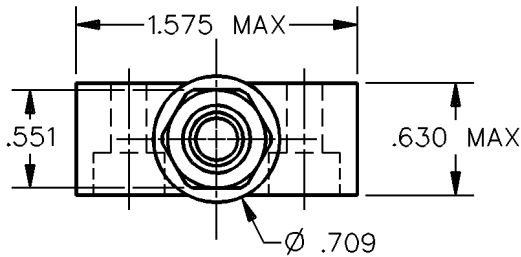
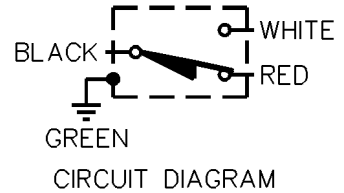
**MICRO SWITCH**  
a Honeywell Division

FED. MFG. CODE 91929

MINIATURE PRECISION  
LIMIT SWITCH

CATALOG LISTING

914CE27-3



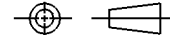
NOTES

- 1 - ZINC HOUSING FINISHED WITH GRAY PAINT
- 2 - SWITCH MOUNTS THRU A Ø.413 HOLE
- 3 - .165 MAX PANEL THICKNESS

ANSI Y14.5M-1982 APPLIES

THIS DRAWING COVERS A PROPRIETARY ITEM AND IS THE PROPERTY OF MICRO SWITCH, A DIVISION OF HONEYWELL. THIS DRAWING IS NOT TO BE COPIED OR USED WITHOUT THE APPROVAL OF MICRO SWITCH.

THIRD ANGLE PROJECTION



CHARACTERISTICS	ELECTRICAL DATA	SCALE FULL	DO NOT SCALE PRINT
OPERATING FORCE 2 LBS 10 1/2 OZ MAX	CONTACT ARRANGEMENT S P D T	<b>UNLESS OTHERWISE SPECIFIED TOLERANCES ARE</b>	
RELEASE FORCE ----- 1 LB MIN	5A 1/10HP 125 OR 250 VAC	ONE PLACE ( .0 )	± .030
DIFFERENTIAL TRAVEL ----- .004 MAX		TWO PLACE ( .00 )	± .015
OVERTRAVEL ----- .118 MIN		THREE PLACE ( .000 )	± .005
		ANGLES	±
		WEIGHT	



914CE27-3

**M**

DRAWING NUMBER

3

ISSUE

REVISIONS

A	CO-69061
S A V	4 OCT 91

REPLACES

RELEASE NO. PR-6431-T

CHECK

CHECK

DDM/CAD  
DRAWN  
S A V 4 OCT 91

CHECK

S A V 4 OCT 91