


SACC-CI-M12FS-5CON

Order No.: 1528536

<http://eshop.phoenixcontact.de/phoenix/treeViewClick.do?UID=1528536>

Sensor/actuator flush-type socket, 5-pos., M12 contact carrier, A-coded, with straight solder connection

Commercial data	
GTIN (EAN)	 4 046356 023443
Note	Made-to-order
sales group	D125
Pack	100 pcs.
Customs tariff	85366990
Catalog page information	Page 28 (PC-2007)

Product notes

WEEE/RoHS-compliant since:
01/01/2005

<http://www.download.phoenixcontact.com>
Please note that the data given here has been taken from the online catalog. For comprehensive information and data, please refer to the user documentation. The General Terms and Conditions of Use apply to Internet downloads.

Certificates / Approvals

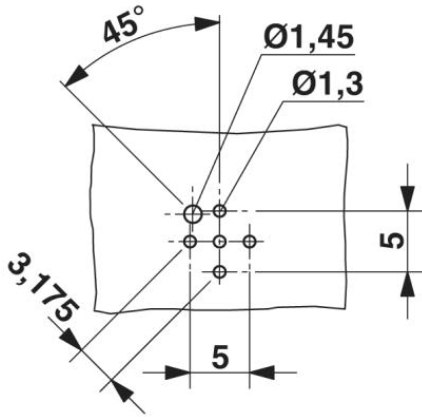


Certification

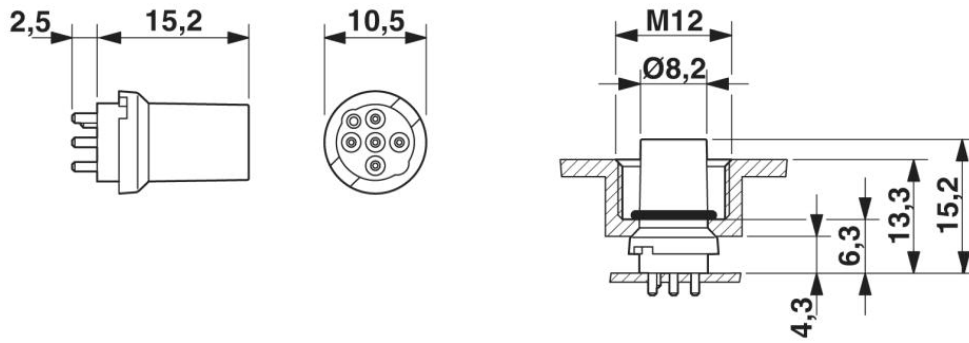
CUL, UL

Diagrams/Drawings

Drilling plan/solder pad geometry



Dimensioned drawing



Installation diagram

Address

PHOENIX CONTACT Inc., USA
586 Fulling Mill Road
Middletown, PA 17057, USA
Phone (800) 888-7388
Fax (717) 944-1625
<http://www.phoenixcon.com>



© 2011 Phoenix Contact
Technical modifications reserved;