

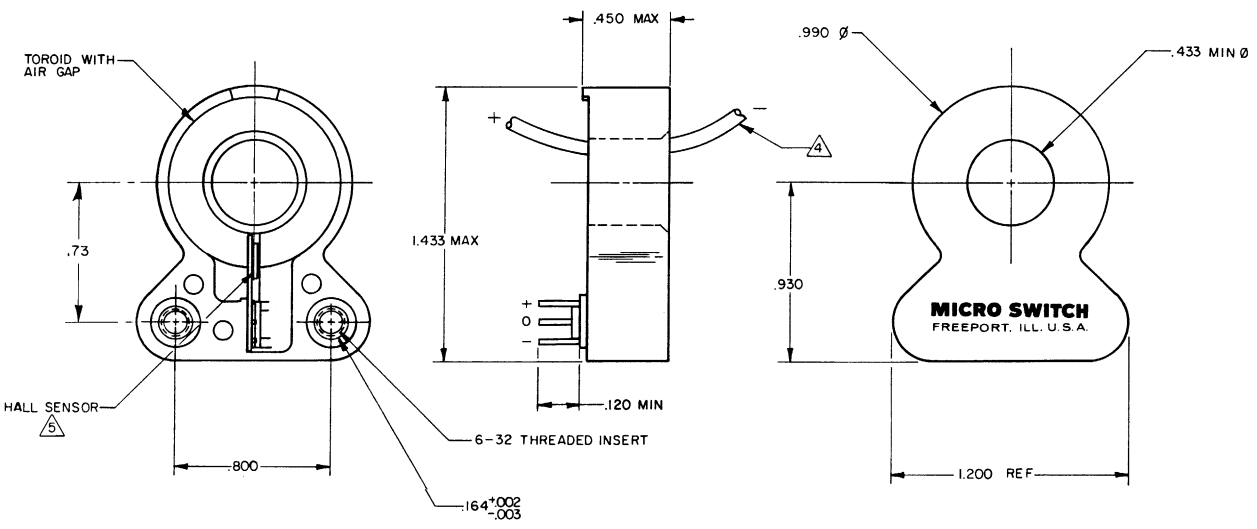
MICRO SWITCH
a Honeywell Division

**75 AMP CURRENT
SENSOR**

CATALOG LISTING
CSLA1GE

FED. M.S. CODE 8192K

FORMTEK
 DRAWN
 DLM 2 MAR 00
 CHECKED
 SAV 2 MAR 00
 DESIGNED
 SAU 2 MAR 00
 REVISIONS
 A 198704
 2 MAR 00
 5
 M
 CSLA1GE
 DATA OF LISTING
 ISSUE
 PAGE
 OF
 PR-15278
 RELEASE NO.
 REPLACES



- NOTES**
- 1 - AIR GAP IN TOROID IS .094
 - 2 - GAUSS LEVEL IN AIR GAP IS 4.8 TO 5.5 GAUSS PER NI
 - 3 - RECOMMENDED MOUNTING IS .250 LONG 6-32 SCREW
- ⚠ CONVENTIONAL CURRENT FLOW IN DIRECTION INDICATED WILL CAUSE AN INCREASE IN OUTPUT VOLTAGE**
- ⚠ SEE 91SS12-2 FOR ELECTRICAL CHARACTERISTICS**

THIS DRAWING COVERS A PROPRIETARY ITEM AND IS THE PROPERTY OF MICRO SWITCH, A DIVISION OF HONEYWELL. THIS DRAWING IS NOT TO BE COPIED OR USED WITHOUT THE APPROVAL OF MICRO SWITCH

THIRD ANGLE PROJECTION	
SCALE 2:1	
DO NOT SCALE PRINT	
UNLESS OTHERWISE SPECIFIED TOLERANCES ARE	
ONE PLACE (.01) ±.030	
TWO PLACE (.001) ±.015	
THREE PLACE (.000) ±.005	
ANGLES ±	
WEIGHT	

CHARACTERISTICS	ELECTRICAL DATA
OPERATING FORCE	CONTACT ARRANGEMENT
DIFFERENTIAL FORCE	
RELEASE FORCE	
PRETRAVEL	
DIFFERENTIAL TRAVEL	
OVERTRAVEL	
FREE POSITION	

