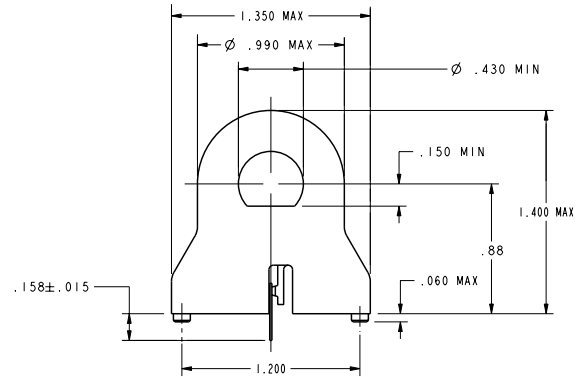
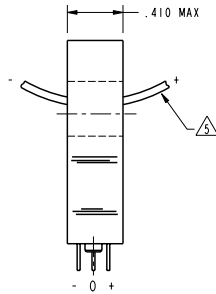
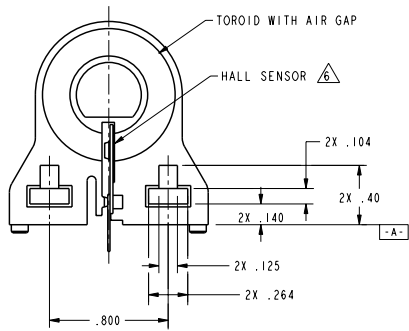
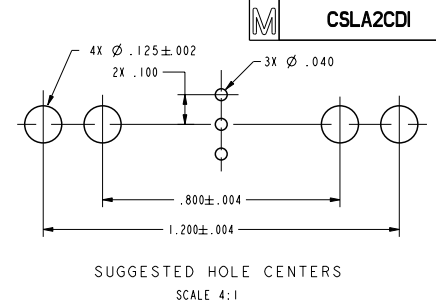
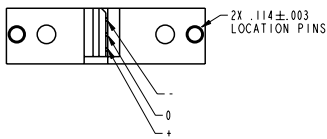


CHARACTERISTICS					
PARAMETER	MIN	TYP	MAX	UNITS	CONDITIONS/REMARKS
SUPPLY VOLTAGE	5.4	8.0	13.2	VOLTS	-25° C TO 85° C
SUPPLY CURRENT		13	20	mA	MAX @ -25° C, TYP @ 25° C, V _s = 8.0V, EXCLUDES LOAD
OUTPUT CURRENT	I			mA	SINKING OR SOURCING
OUTPUT VOLTAGE SWING	(-V) _s +1.25		(+V) _s -1.25	VOLTS	MAX CLAMPED @ 9.0 VOLTS MIN
SENSITIVITY	29.7		35.7	mV/NI	@ V _s = 8.0 VOLTS & 25° C Δ
LINEARITY					DEV FROM STR LINE FROM -I MAX TO +I MAX Δ
V _{out} @ \emptyset NI	.5(V _s)-2X		.5(V _s)+2X	VOLTS	25° C
TEMP ERROR - NULL	-.02		+.02	%/° C	-25° C TO 85° C
TEMP ERROR - GAIN	-.06		+.01	%/° C	-25° C TO 85° C



- NOTES
- 1 - SUGGESTED I MAX FOR LINEAR OPERATION IS 72 AMPS
 - 2 - RECOMMENDED MOUNTING IS 4-40 SQUARE NUT AND .375 LONG 4-40 SCREW
 - 3 - CONVENTIONAL CURRENT FLOW IN DIRECTION INDICATED WILL CAUSE AN INCREASE IN OUTPUT VOLTAGE
 - 4 - THE DEVICE CANNOT BE DAMAGED BY MAGNETIC OVERDRIVE AT V_s OTHER THAN 8.0 VOLTS, SENSITIVITY = (NUMBER SHOWN) X V_s/8
 - 5 - BACKSIDE OF HALL SENSOR IS ELECTRICALLY CONNECTED TO THE "-" TERMINAL
 - 7 - SENSOR COATED WITH HUMISEAL
 - 8 - CORE TO BE VISUALLY CENTERED ABOUT SENSOR



THIRD ANGLE PROJECTION		
SCALE 2 : 1		
DO NOT SCALE PRINT		
UNLESS OTHERWISE SPECIFIED TOLERANCES ARE		
ONE PLACE	(.01)	±.030
TWO PLACES	(.001)	±.015
THREE PLACES	(.0001)	±.005
ANGLES		±
WEIGHT		

THIS DRAWING COVERS A PROPRIETARY ITEM AND IS THE PROPERTY OF MICRO SWITCH, A DIVISION OF HONEYWELL. THIS DRAWING IS NOT TO BE COPIED OR USED WITHOUT THE APPROVAL OF MICRO SWITCH.

MICRO SWITCH
a Honeywell Division

CATALOG LISTING

CURRENT SENSOR

CSLA2C2DI

FED. MFG. CODE 91829

ANSI Y14.5M-1982 APPLIES

P.T.C./CAD 120
 DRAWN
 L.J.K.
 24MAY00
 CHECKED
 S.W.
 24 MAY 00
 CHECKED
 M. PR-22035
 REVISED
 24 MAY 00
 ISSUE 2
 M
 CSLA2C2DI
 PART NO. OF