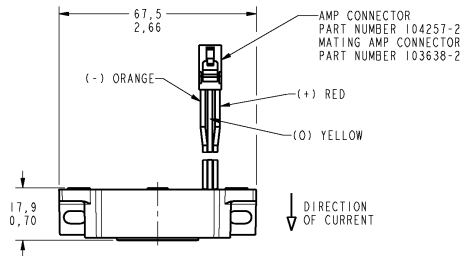


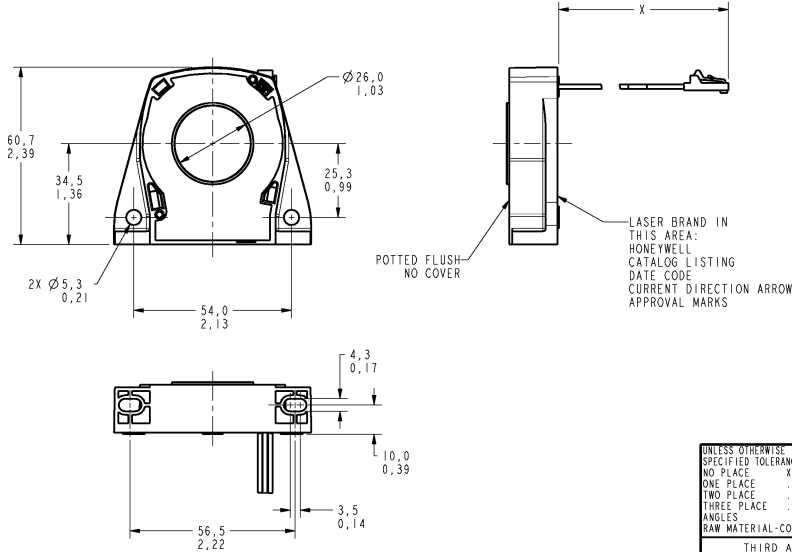
CHARACTERISTICS

| REV | DOCUMENT | CHANGED BY | CHECK |
|-----|----------|------------|-------|
| 1 | | | SAV |

| CATALOG LISTING | ISSUE NUMBER | OPERATING TEMPERATURE | SUPPLY | HOUSING MATERIAL | SENSING RANGE | | OUTPUT NOMINAL | MAXIMUM COIL RESISTANCE AT 70°C | NUMBER OF TURNS | PRIMARY CONNECTION | X DIMENSION | SECONDARY CONNECTION |
|-----------------|--------------|-----------------------|--------|------------------|---------------|-------------------------------|----------------|---------------------------------|-----------------|--------------------|-------------|-------------------------------|
| | | | | | NOMINAL | MAXIMUM | | | | | | |
| CSNS300F-001 | 1 | -40°C TO +85°C | ±15V | GLASS FILLED PBT | 300A | 600A | 150mA | 34Ω | 2000±1 | THRU HOLE | 330m / 13in | AMP CONNECTOR ON FLYING LEADS |
| CSNS300F-002 | 1 | | | | 150m / 6in | AMP CONNECTOR ON FLYING LEADS | | | | | | |



NOTES
 1 - THIS PART IS COVERED BY EXTERNAL PRODUCT APPROVAL(S).
 NO DESIGN CHANGES WITHOUT AGREEMENT OF APPROVALS ENGINEERING



| | | | | |
|--|--|--|------------------|--------------------------------|
| UNLESS OTHERWISE SPECIFIED TOLERANCES ARE: | <input type="checkbox"/> FRACTIONAL <input checked="" type="checkbox"/> DECIMAL <input type="checkbox"/> MIXED | DRAWN | TMM | 9OCT02 |
| NO PLACE .X ±.040 ±.1 | | CHECK | SAV | 9OCT02 |
| ONE PLACE .X ±.030 ±0,4 | | THIS DRAWING COVERS A PROPRIETARY ITEM AND IS THE PROPERTY OF HONEYWELL. THIS DRAWING IS NOT TO BE COPIED OR USED WITHOUT THE PERMISSION OF HONEYWELL. | | |
| TWO PLACE .XX ±.015 ±0,15 | | THIRD ANGLE PROJECTION | | |
| THREE PLACE .XXX ±.005 ± | | DIMENSIONS ARE TO BE MET BEFORE PROTECTIVE COATINGS ARE APPLIED | | |
| ANGLES ± | | 3D PTC | ASME Y14.5M-1994 | SCALE NONE WEIGHT SHEET 1 OF 1 |
| RAW MATERIAL-COMMERCIAL STANDARD | | TITLE: 300A NULL BALANCE, CURRENT SENSOR SIZE: C DWG TYPE: I DRAWING NAME: MTG-CSN-325 REV: 1 | | |

Honeywell

TITLE: **300A NULL BALANCE, CURRENT SENSOR**

SIZE: **C** DWG TYPE: **I** DRAWING NAME: **MTG-CSN-325** REV: **1**

SCALE: NONE WEIGHT: SHEET 1 OF 1