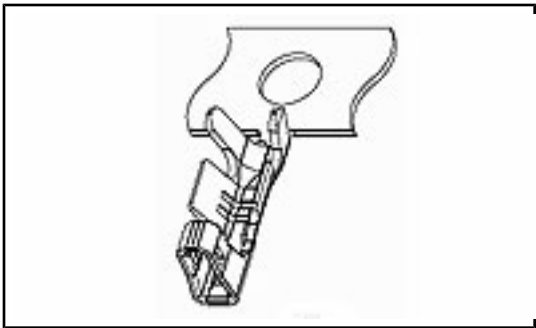


353907-1 Product Details



353907-1

TE Internal Number: 353907-1

 [Active](#)

1.5mm AMP Mini CT

 [Always EU RoHS/ELV Compliant \(Statement of Compliance\)](#)

Product Highlights:

- Contact
- Terminate To Wire
- Packaging Method = Strip

[View all Features](#)

Documentation & Additional Information

Product Drawings:

- [AMP MINI COMMON TERMINATED \(CT\) CONNECTOR 1.5mm PIT...](#) (PDF, English)

Catalog Pages/Data Sheets:

- [PERSONAL SYSTEMS PRODUCTS](#) (PDF, English)

Product Specifications:

- [AMP Mini Common Termination \(CT\) Connector 1.5mm Pit...](#) (PDF, English)
- [1.5MM PITCH SIGNAL MATE CONNECTOR](#) (PDF, Japanese)
- [AMP Mini CT Connector 1.5mm Pitch \(Crimp Type\), Lead...](#) (PDF, Japanese)

Application Specifications:

- [AMP MINI COMMON TERMINATION \(CT\) CONNECTOR, 1.5MM PI...](#) (PDF, English)

Instruction Sheets:

- [1.5mm Pitch Mini CT DC Drawer Connector SF Type](#) (PDF, Japanese)
- [1.5mm Pitch Mini CT Hybrid Drawer Connector SF Type](#) (PDF, Japanese)
- [1.5mm Pitch Mini CT Hybrid Drawer Connector Slim Type](#) (PDF, Japanese)

CAD Files:

- None Available

[List all Documents](#)

Additional Information:

- [Product Line Information](#)

Related Products:

- [Tooling](#)
- [Housings \(38\)](#)

Product Features (Please use the Product Drawing for all design activity)

Product Type Features:

- [Product Type](#) = Contact
- Wire Insulation Diameter (mm [in]) = 0.88 – 1.00 [0.035 – 0.039]
- Mating Type = Receptacle

Body Related Features:

- Wire Range (mm [AWG]) = 0.08-0.24² [28-24]

Contact Related Features:

- Contact Base Material = Phosphor Bronze
- Contact Mating Area Plating Material = Pre-Tin

Industry Standards:

- [RoHS/ELV Compliance](#) = RoHS compliant, ELV compliant
- [Lead Free Solder Processes](#) = Not relevant for lead free process
- RoHS/ELV Compliance History = Always was RoHS compliant

Conditions for Usage:

- [Terminate To](#) = Wire

Packaging Related Features:

- [Packaging Method](#) = Strip

Other:

- Brand = AMP