

8 7 6 5 4 3 2 1

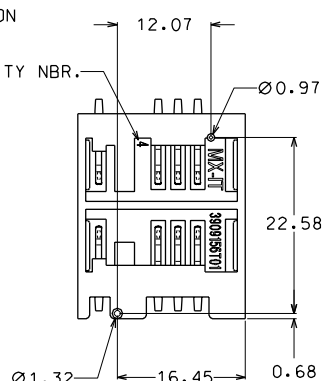
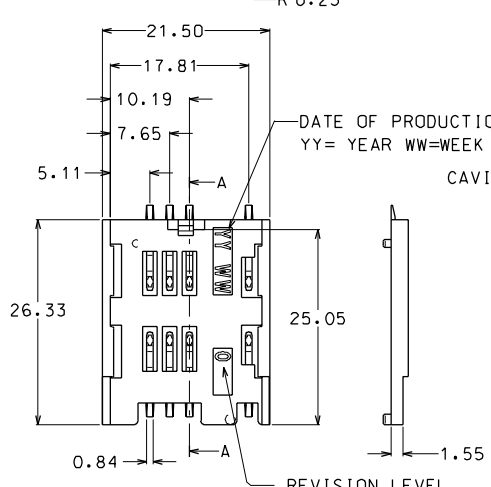
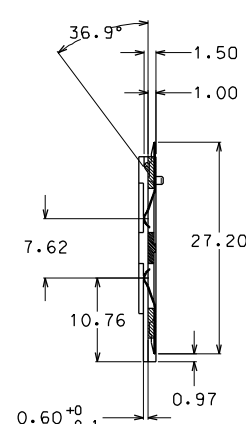
F
E
D
C
B
A

- NOTES:
1. READER CONTACTS NORMAL FORCE AT FULL DEFLECTION = 0.55N +/- 0.1N
 2. SWITCH CONTACTS NORMAL FORCE AT FULL DEFLECTION = 0.85N +/- 0.1N
 3. ALL OTHER DIMENSIONS AND FEATURES ACCORDING TO MOTOROLA DWG NO. 39D09156T REVISION LEVEL 0

MATERIALS:
 HOUSING - LCP G.F. BLACK
 TERMINAL - PhBz CuSn 8 (C521)
 0.15mm THICK
 PLATING:
 CONTACT AREA - 0.76 um Au MIN OVER 1.27 um Ni MIN
 SOLDERING AREA - 3.8 um Sn-Pb MIN OVER 1.27 um Ni.
 PACKAGING:
 TAPE & REEL SEE SHEET 2/2

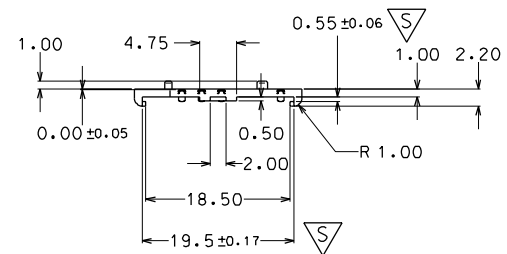
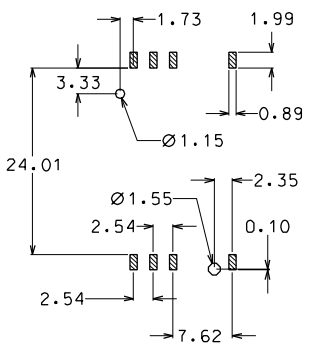


SECTION A-A



UNDEFLECTED CONTACT

RECOMMENDED P.C.B. LAYOUT



MOLEX	MOTOROLA
DWG NO. SD-94307-001	DWG NO. 39D09156T
REV. LEVEL A	REV. LEVEL 0
PART NO. 94307-5006	PART NO. 3909156T01

2	A
1	A

EC NO. Z1999-0287 DRAWN BY AGOSTINI 23/06/99 CHK: M. ESTAGUIZZA 23/06/99 APPR: M. TUCI 23/06/99	QUALITY SYMBOLS MAJOR M = SIGNIF. S = 2 CRITICAL C =	GENERAL TOLERANCES: (UNLESS SPECIFIED) 4 PLACES ±0.4 ±. 3 PLACES ±0.3 ±. 2 PLACES ±0.13 ±. 1 PLACE ±0.3 ±. ANGULAR: ± 2°	SCALE 2:1	DESIGN UNITS mm INCH	DIMENSIONS: mm INCH mm ONLY	SHT REV REVISE ON CAD ONLY
			DRAWN BY & DATE G. ZUIN 17/06/97	CHECKED BY & DATE S. SORATO 09/10/97		
REV A	DESCRIPTION DRAFT WHERE APPLICABLE MUST REMAIN WITHIN DIMENSIONS	CAD FILENAME 94307001.DGN	MATERIAL NO. 94307-5006	DRAWING NO. SD-94307-001	SHEET NO. 1/2	SIZE A3
			MOLEX INCORPORATED			

