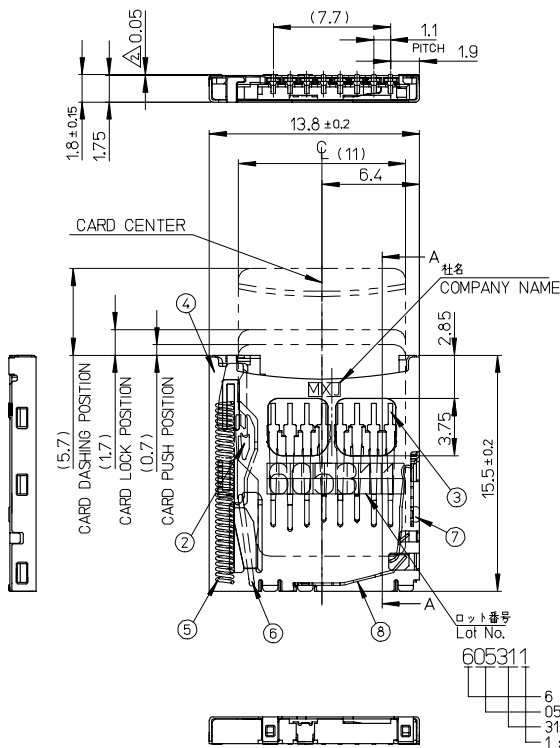
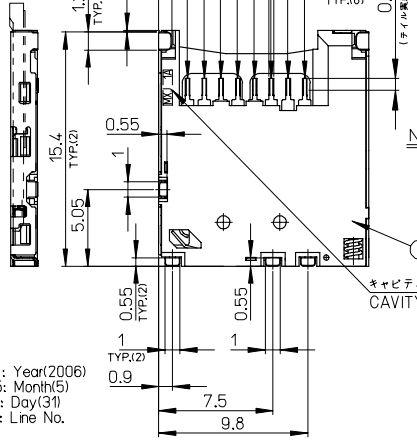


10 9 8 7 6 5 4 3 2 1



Pin No.1: DAT2
 Pin No.2: CD/DAT3²
 Pin No.3: CMD
 Pin No.4: VDD
 Pin No.5: CLK
 Pin No.6: VSS
 Pin No.7: DAT0
 Pin No.8: DAT1



番号 NO.	名称 NAME	材料 MATERIAL
①	ハウジング HOUSING	液晶ポリマー (LCP) LIQUID CRYSTAL POLYMER (LCP)
②	カムスライダ CAM SLIDER	液晶ポリマー (LCP) LIQUID CRYSTAL POLYMER (LCP)
③	ターミナル TERMINAL	銅合金 接触部: 金めっき 0.5µm MIN. (t=0.2) 封孔処理済 テール部: 銅めっき 2µm MIN. 下地: ニッケルめっき 1µm MIN. COPPER ALLOY, CONTACT AREA: Au(0.5µm MIN.) SEALING DISPOSITION TAIL AREA: Sn (2µm MIN) UNDER: Ni(1µm MIN)
④	シェル SHELL	ステンレス鋼 基板実装部: 金めっき 0.02µm MIN. (t=0.15) 下地: ニッケルめっき 0.5µm MIN. STAINLESS STEEL, NAIL AREA: (0.02µm MIN), UNDER: Ni(0.5µm MIN)
⑤	スプリング SPRING	ピアノ線 SWP
⑥	ピン PIN	ステンレス鋼 STAINLESS STEEL
⑦	ディテクトレバー DETECT LEVER	銅合金 接触部、テール部: 金めっき 0.2µm MIN. (t=0.15) 下地: ニッケルめっき 1µm MIN. COPPER ALLOY, CONTACT, TAIL AREA: Au(0.2µm MIN.) UNDER: Ni(1µm MIN)
⑧	ディテクトスイッチ DETECT SWITCH	銅合金 接触部、テール部: 金めっき 0.2µm MIN. (t=0.15) 下地: ニッケルめっき 1µm MIN. COPPER ALLOY, CONTACT, TAIL AREA: Au(0.2µm MIN.) UNDER: Ni(1µm MIN)

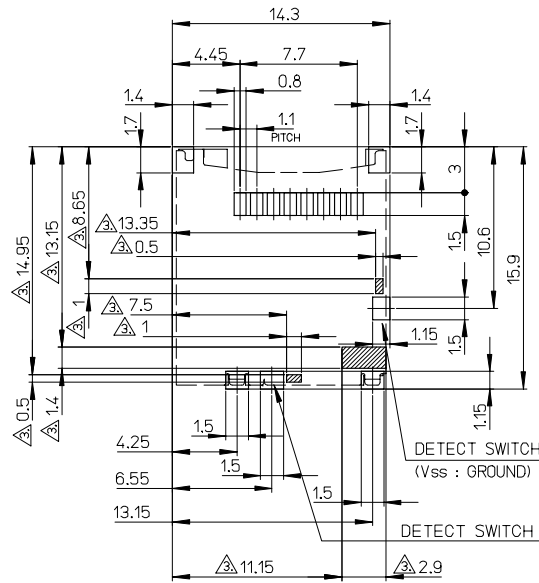
NOTES 1. ターミナル及びネールの平坦度は 0.1 MAX.
 TERMINAL AND NAIL COPLANARITY TO BE 0.1 MAX.
 △ スタンドオフ寸法
 PATTERN 禁止エリア
 PATTERN PROHIBITION AREA
 4. カード検知スイッチ DETECT SWITCH

カード挿入時 CARD INSERTING POSITION	クローズ CLOSE
カード未挿入時 NO CARD	オープン OPEN

5. 肉抜き位置は任意とする。
 CAVITY IS TO BE OPTIONAL.
 6. ロット印字は任意とする。
 LOT NUMBERING IS TO BE OPTIONAL.

EMBOSSD TAPE	502037-0892	502037-08**
CONNECTOR ONLY	502037-0821	
PACKAGE	MATERIAL NO.	MODEL NO.

RELEASED EC NO.: J2007-0968 DRWN: YMATSUMOTO 2006/09/29 CHKD: M TOMITA 2006/09/29 APPR: YOITO 2006/10/04	GENERAL TOLERANCES (UNLESS SPECIFIED)		DIMENSION STYLE MM ONLY		SCALE 4:1	DESIGN UNITS METRIC	THIRD ANGLE PROJECTION
	10 UNDER	±0.2	DRAWN BY YMATSUMOTO	DATE 06/09/25	TITLE MICRO SD CARD CONN. (P/P & NORMAL SMALLTYPE)		
	10 OVER 30 UNDER	±0.25	CHECKED BY M TOMITA	DATE 06/09/25	MOLEX INCORPORATED		
	30 OVER	±0.3	APPROVED BY YOITO	DATE 06/09/25	MATERIAL NO. SEE CHART	DOCUMENT NO. SD-502037-002	SHEET NO. 1 OF 2
ANGULAR ±1 °		DRAFT WHERE APPLICABLE MUST REMAIN WITHIN DIMENSIONS		SIZE A3	THIS DRAWING CONTAINS INFORMATION THAT IS PROPRIETARY TO MOLEX INCORPORATED AND SHOULD NOT BE USED WITHOUT WRITTEN PERMISSION		



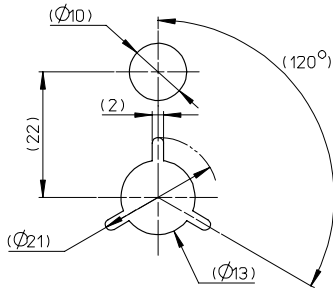
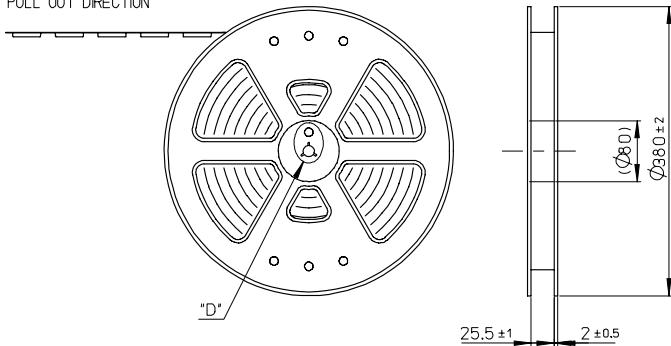
パターン禁止エリア
PATTERN PROHIBITION AREA

RECOMMENDED
PCB PATTERN LAYOUT
(GENERAL TOLERANCE : ±0.05)

RELEASED EC NO. J2007-0968 DRWN: YMATSUMOTO 2006/09/29 CHK: CHKOMITA 2006/09/29 APPR: YOITO 2006/10/04	GENERAL TOLERANCES (UNLESS SPECIFIED)		DIMENSION STYLE MM ONLY		SCALE 4:1	DESIGN UNITS METRIC	THIRD ANGLE PROJECTION
	10 UNDER	±0.2	DRAWN BY YMATSUMOTO	DATE 06/09/25	TITLE MICRO SD CARD CONN. (P/P & NORMAL SMALLTYPE)		
	10 OVER 30 UNDER	±0.25	CHECKED BY MTOMITA	DATE 06/09/25			
	30 OVER	±0.3	APPROVED BY YOITO	DATE 06/09/25	MOLEX INCORPORATED DOCUMENT NO. SD-502037-002		
ANGULAR	±1 °	MATERIAL NO. SEE CHART		SHEET NO. 2 OF 2			
DRAFT WHERE APPLICABLE MUST REMAIN WITHIN DIMENSIONS		THIS DRAWING CONTAINS INFORMATION THAT IS PROPRIETARY TO MOLEX INCORPORATED AND SHOULD NOT BE USED WITHOUT WRITTEN PERMISSION					

10 9 8 7 6 5 4 3 2 1

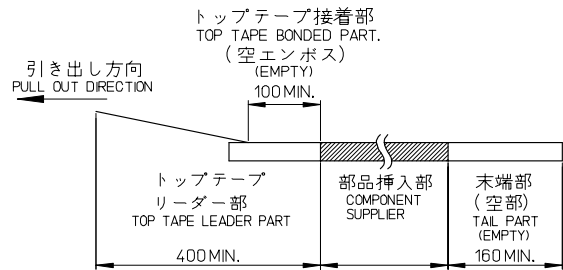
引き出し方向
PULL OUT DIRECTION



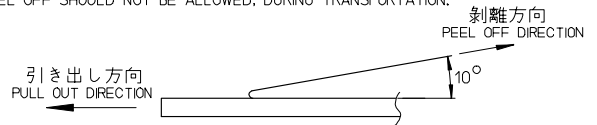
DETAIL "D"

NOTES

- 製品詳細寸法については、SD 図面を参照下さい。
RE DETAILED DIMENSION, SEE SALES DRAWING.
- 梱包数量：1300 個／リール
NUMBER OF CONNECTORS：1300 PCS/REEL.
- リードテープ長さ LEAD TAPE LENGTH.



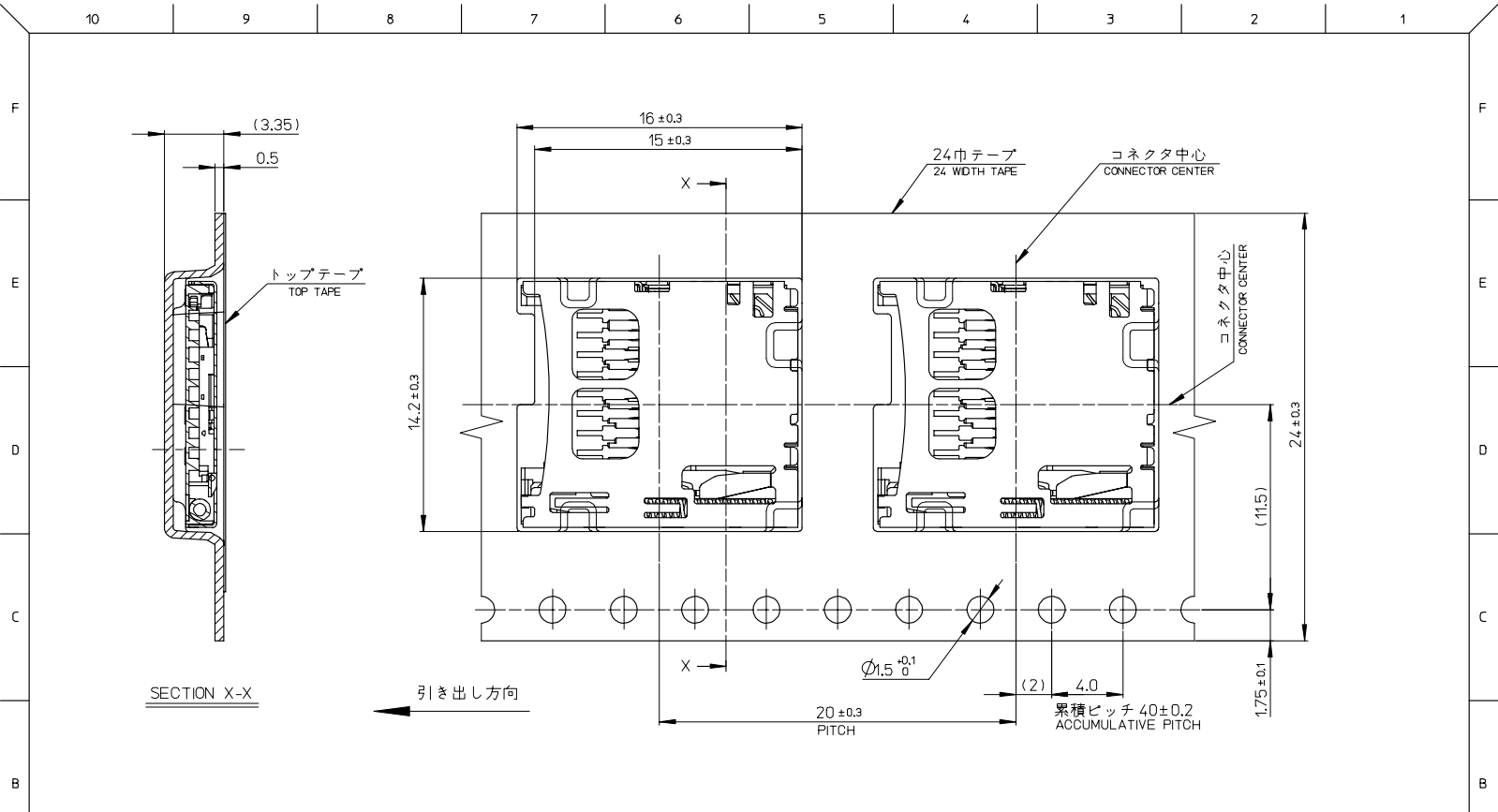
- トップテープの剥離強度：JIS C0806-3に準拠(剥離方向は下図参照)尚、本規格値は出荷時に適用。(但し、輸送時に剥離が発生しないこと。)
PEELING OFF FORCE OF TOP TAPE：BASED UPON JIS C0806-3 (PEELING DIRECTION AS SHOWN IN FOLLOWING FIG.) THIS REQUIREMENT SHOULD BE APPLIED AT SHIPMENT. PEEL OFF SHOULD NOT BE ALLOWED, DURING TRANSPORTATION.



- 材料 MATERIAL
キャリアテープ (CARRIER TAPE)：ポリスチレン (POLYSTYRENE)
トップテープ (TOP TAPE)：PET, PE, PEF
リール (REEL)：ポリスチレン (PS) <リサイクル材含む>
POLYSTYRENE (PS) <RECYCLE MATERIAL CONTAINED>

502037-0821	502037-0892	502037-08**
CONNECTOR	MATERIAL NO.	MODEL NO.

RELEASED EC NO: J2007-0968 DRWN: YMATSUMOTO 2006/09/29 CHKD: MTOMITA 2006/09/29 APPR: YOITO 2006/10/04	GENERAL TOLERANCES (UNLESS SPECIFIED)		DIMENSION STYLE MM ONLY		SCALE 4:1	DESIGN UNITS METRIC	THIRD ANGLE PROJECTION
	10 UNDER	±0.2	DRAWN BY YMATSUMOTO	DATE 06/09/25	TITLE MICRO SD CARD CONN. EMBOSSED TAPE PACKAGE FOR 502037-08** MOLEX INCORPORATED		
	10 OVER 30 UNDER	±0.25	CHECKED BY MTOMITA	DATE 06/09/25			
	30 OVER	±0.3	APPROVED BY YOITO	DATE 06/09/25			
ANGULAR	±1 °	MATERIAL NO. SEE CHART		DOCUMENT NO. SD-502037-003	SHEET NO. 1 OF 2		
DRAFT WHERE APPLICABLE MUST REMAIN WITHIN DIMENSIONS		THIS DRAWING CONTAINS INFORMATION THAT IS PROPRIETARY TO MOLEX INCORPORATED AND SHOULD NOT BE USED WITHOUT WRITTEN PERMISSION					



RELEASED EC NO: J2007-0968 DRWN: YMATSUMOTO 2006/09/29 CHKD: MTOMITA 2006/09/29 APPR: YOITO 2006/10/04	GENERAL TOLERANCES (UNLESS SPECIFIED)		DIMENSION STYLE MM ONLY		SCALE 4:1	DESIGN UNITS METRIC	THIRD ANGLE PROJECTION
	10 UNDER	± 0.2	DRAWN BY YMATSUMOTO	DATE 06/09/25	TITLE MICRO SD CARD CONN. EMBOSSED TAPE PACKAGE FOR 502037-08** MOLEX INCORPORATED		
	10 OVER 30 UNDER	± 0.25	CHECKED BY MTOMITA	DATE 06/09/25			
	30 OVER	± 0.3	APPROVED BY YOITO	DATE 06/09/25			
ANGULAR ± 1 °		DRAFT WHERE APPLICABLE MUST REMAIN WITHIN DIMENSIONS		MATERIAL NO. SEE CHART	DOCUMENT NO. SD-502037-003	SHEET NO. 2 OF 2	
THIS DRAWING CONTAINS INFORMATION THAT IS PROPRIETARY TO MOLEX INCORPORATED AND SHOULD NOT BE USED WITHOUT WRITTEN PERMISSION							