

CATALOG LISTING 11TS15 SERIES CHART 1

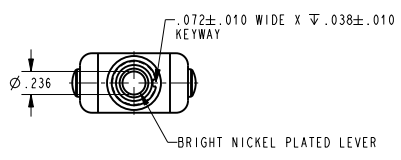
ISSUE 13  
 REVISIONS  
 A 203922  
 B 204980  
 C 0001201  
 PTC/CAD 20  
 KED 18SEP01  
 18 SEP 01  
 ANSI Y14.5M-1982 APPLIES

**MICRO SWITCH**  
a Honeywell Division  
FED. MFG. CODE 91929

**SWITCH - TOGGLE**

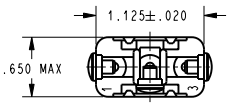
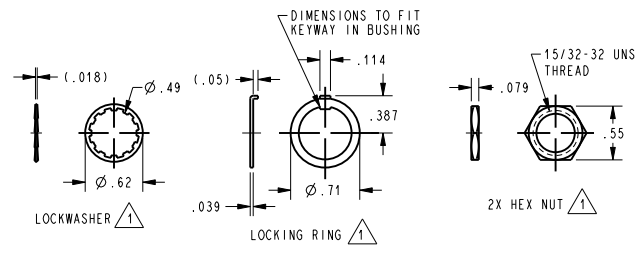
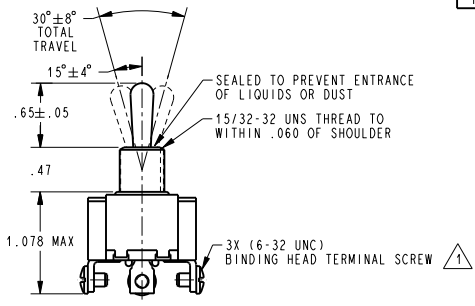
CATALOG LISTING  
**11TS15 SERIES CHART 1**

THIS DRAWING COVERS A PROPRIETARY ITEM AND IS THE PROPERTY OF MICRO SWITCH, A DIVISION OF HONEYWELL. THIS DRAWING IS NOT TO BE COPIED OR USED WITHOUT THE APPROVAL OF MICRO SWITCH



CAT. LIST.	CIRCUIT WITH TOGGLE IN			RELEASE NO.
	EXTREME POSITION KEYWAY SIDE 1-2	CENTER	EXTREME POSITION OPPOSITE SIDE 2-3	
11TS15-1	ON	OFF	ON	
11TS15-2	OFF	NONE	ON	
11TS15-3	ON	NONE	ON	
11TS15-4	MOM OFF	NONE	ON	PR-3311
11TS15-5	MOM ON	OFF	ON	PR-3124
11TS15-6	MOM ON	NONE	OFF	
11TS15-7	MOM ON	OFF	MOM ON	
11TS15-8	MOM ON	NONE	ON	PR-3811

ELECTRICAL DATA
L311 10A 277 VAC, 20A 125 VAC 3/4HP 125, 250 VAC



NOTE  
FURNISHED UNASSEMBLED

THIRD ANGLE PROJECTION
SCALE FULL
DO NOT SCALE PRINT
UNLESS OTHERWISE SPECIFIED TOLERANCES ARE
ONE PLACE (.01) ±.030
TWO PLACE (.00) ±.015
THREE PLACE (.000) ±.005
ANGLES ±
WEIGHT