

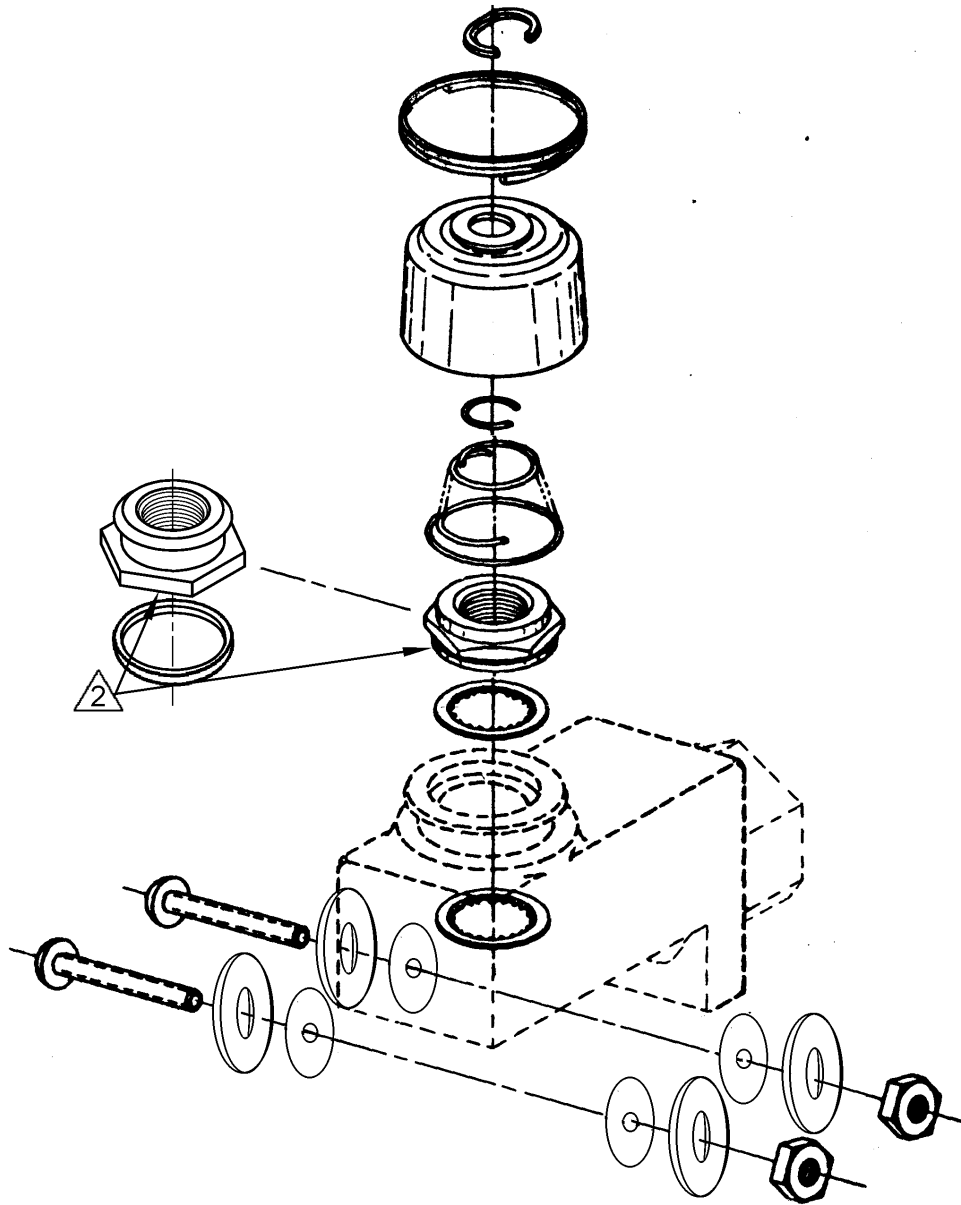
MICRO SWITCH

FREEMONT ILLINOIS, U.S.A
A DIVISION OF HONEYWELL
FED. MFG. CODE 91929

PACKET

CATALOG LISTING

IPA2

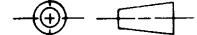


NOTES

- 1 - PARTS FURNISHED UNASSEMBLED IN BULK AS A PACKET
- 2 - TWO DIFFERENT STYLE NUTS PROVIDED. USE NUT SIMILAR TO NUT BEING REPLACED

THIS DRAWING COVERS A PROPRIETARY ITEM AND IS THE PROPERTY OF MICRO SWITCH, A DIVISION OF HONEYWELL. THIS DRAWING IS NOT TO BE COPIED OR USED WITHOUT THE APPROVAL OF MICRO SWITCH.

THIRD ANGLE PROJECTION



CHARACTERISTICS

ELECTRICAL DATA

SCALE

DO NOT SCALE PRINT

TOLERANCES
APPLY TO DESIGN UNITS. CONVERSIONS ARE ONLY FOR REFERENCE. UNLESS NOTED, TOLERANCES ARE ±

	DIM. mm	TOL. mm/in	DIM. in	TOL. mm/in
NO PLACES	X	1/.04	X	0.8/.03
ONE PLACE	X,X	0.4/.016	X,XX	0.38/.015
TWO PLACES	X,XX	0.15/.006	X,XXX	0.13/.005
THREE PLACES	X,XXX			
ANGLES				

DESIGN UNITS SI METRIC US CUSTOMARY

WEIGHT

IP A2
M
 DRAWING NUMBER
 10
 ISSUE
 REVISIONS

A	CO	47659	TSK	17 NOV 81
B	CO	77179-D	JJD	12 MAR 94
D		207041	TSM	17 DEC 02
E		0001036	GLH	5AUG03
F		0016797	VKR	16NOV05

 CHECK
 16NOV05
 RJ
 CHECK
 18 NOV 81
 81
 DRAWN
 FO-52848-A
 RASTER