

# MICRO SWITCH

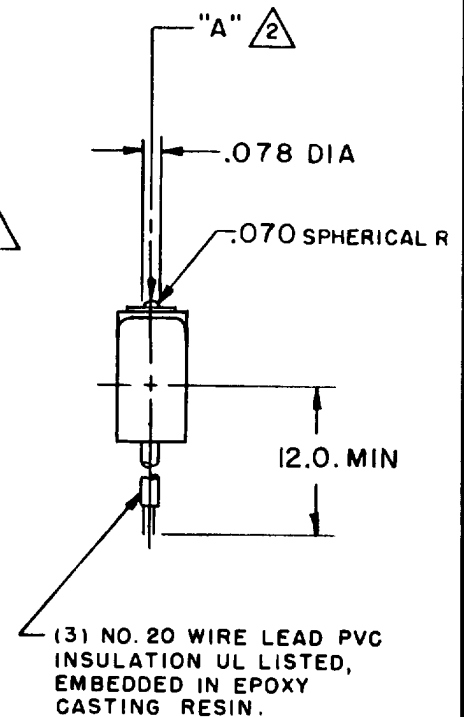
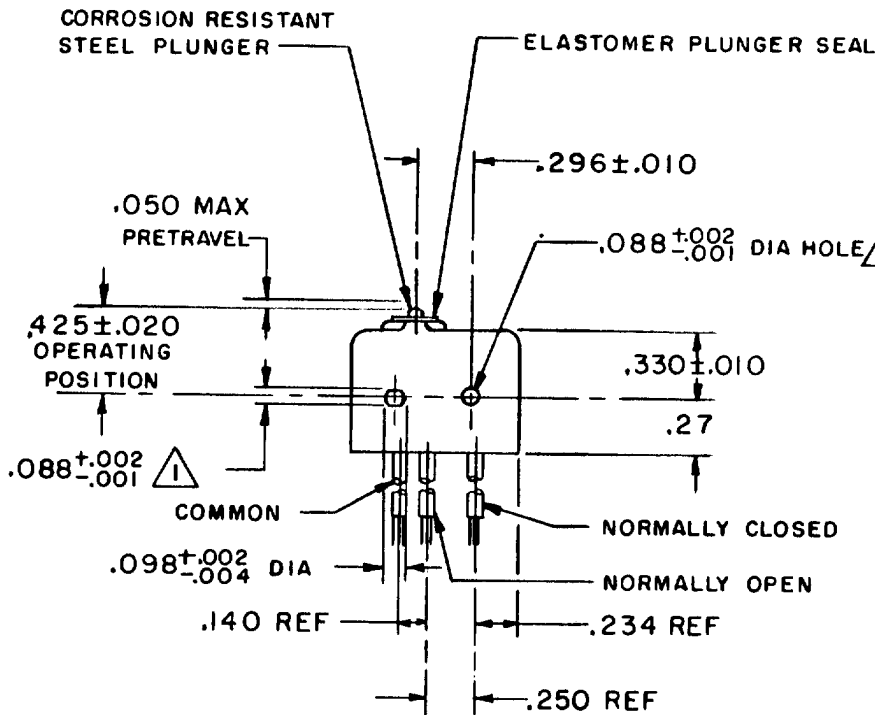
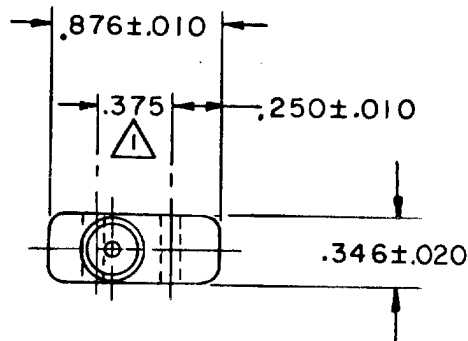
FREERPORT ILLINOIS, U.S.A  
A DIVISION OF HONEYWELL

FED. MFG. CODE 91929

# SWITCH - BASIC

CATALOG LISTING

## 4SEI



- NOTE -
- 1 - MOUNTING HOLES WILL ACCEPT .087 MAX DIA PINS OR SCREWS ON .375±.002 CENTERS
  - 2 - ACTUATION IN LINE WITH ARROW "A" IS RECOMMENDED
  - 3 - WEIGHT OF SWITCH ONLY IS .26 OZ MAX, WEIGHT OF SWITCH WITH WIRE LEADS IS .6 OZ MAX

THIS DRAWING COVERS A PROPRIETARY ITEM AND IS THE PROPERTY OF MICRO SWITCH, A DIVISION OF HONEYWELL. THIS DRAWING IS NOT TO BE COPIED OR USED WITHOUT THE APPROVAL OF MICRO SWITCH.

### CHARACTERISTICS

OPERATING FORCE ----- 5 - 17 OZ  
RELEASE FORCE ----- 4 OZ MIN  
RELEASE TRAVEL ----- .004 MIN  
DIFFERENTIAL TRAVEL ----- .004 MAX  
OVERTRAVEL ----- .003 MIN

### ELECTRICAL DATA

CONTACT ARRANGEMENT  
S P D T

5A 250 VAC

L4



### SCALE FULL

DO NOT SCALE PRINT

UNLESS OTHERWISE NOTED

DIMENSIONS ARE IN INCHES

### TOLERANCES ARE:

ONE PLACE	(.0)	±.030
TWO PLACE	(.00)	±.015
THREE PLACE	(.000)	±.005
ANGLES		

WEIGHT 3

M 4SEI  
 DRAWING NUMBER  
 ISSUE 4  
 REVISIONS  
 A CO-29830 GM DEC 71  
 B CO-34213 JAN 74  
 C CO-54473 FEB 84  
 CHECK 70  
 CHECK 70  
 CHECK 69  
 DRAWN  
 GCH 15 DEC 69  
 FO-50378-1A