

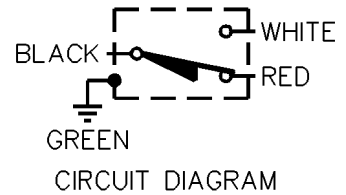
MICRO SWITCH
a Honeywell Division

FED. MFG. CODE 91929

MINIATURE PRECISION
LIMIT SWITCH

CATALOG LISTING

914CE3-AQ



914CE3-AQ

M

DRAWING NUMBER

1

ISSUE

REPLACES

RELEASE NO. CO-69061

CHECK

REVISIONS

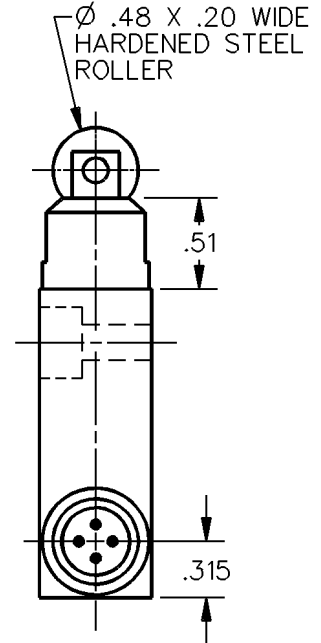
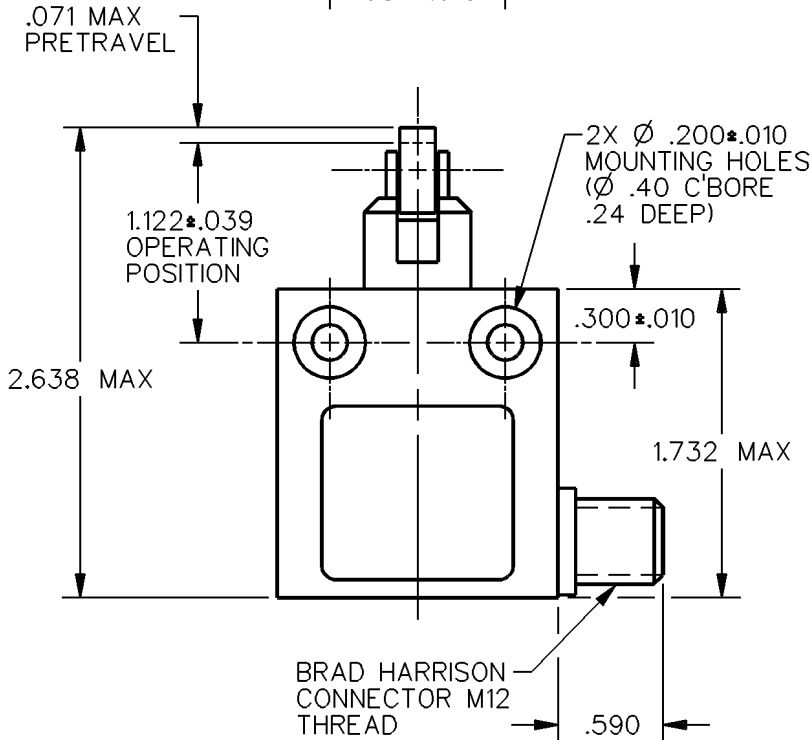
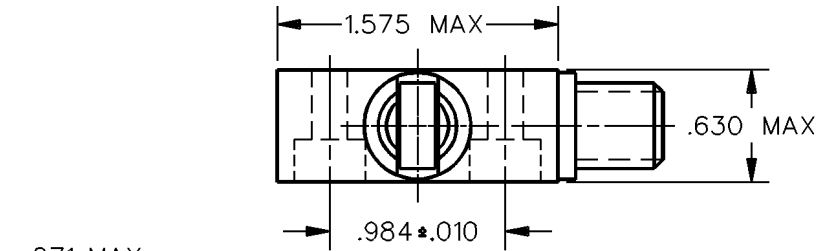
CHECK

CHECK

SAV 29 OCT 91

DDM/CAD

DRAWN



BRAD HARRISON
CONNECTOR M12
THREAD

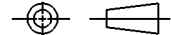
NOTES

- 1 - ZINC HOUSING FINISHED WITH GRAY PAINT
- 2 - SIDE EXIT CONNECTOR

ANSI Y14.5M-1982 APPLIES

THIS DRAWING COVERS A PROPRIETARY ITEM AND IS THE PROPERTY OF MICRO SWITCH, A DIVISION OF HONEYWELL. THIS DRAWING IS NOT TO BE COPIED OR USED WITHOUT THE APPROVAL OF MICRO SWITCH.

THIRD ANGLE PROJECTION



CHARACTERISTICS

OPERATING FORCE — — — 2.7 LB MAX
RELEASE FORCE — — — — 1.0 LB MIN
DIFFERENTIAL TRAVEL — — — .004 MAX
OVERTRAVEL — — — — — .118 MIN

ELECTRICAL DATA

CONTACT ARRANGEMENT
S P D T

5A - 250 VAC
1/10HP - 125 OR 250 VAC



SCALE FULL

DO NOT SCALE PRINT

UNLESS OTHERWISE SPECIFIED TOLERANCES ARE
ONE PLACE (.0) ±.030
TWO PLACE (.00) ±.015
THREE PLACE (.000) ±.005
ANGLES ±

WEIGHT