



BZG1-2RN62



Actual product appearance may vary.

**Enclosed Switches Series BZG/BZH:
Low Force Rod Actuator, Low Force
Rod; 1NC 1NO SPDT Snap Action; 1/2
in - 14NPT conduit**

Features

- Cast aluminum housing
- Side or flange mount
- UL Recognized, file #E12252
- Grounding screw
- Sealed to NEMA 1, 3, 4, 13

Potential Applications

- Packaging equipment
- Special machinery
- Textile machinery
- Conveyors
- Construction machinery and equipment
- Printing trades machinery
- Overhead cranes and hoists

Description

MICRO SWITCH™ BZG/BZH switches have a neoprene seal gasket between the housing halves, elastomer boot actuators, sealed conduit connectors, and die-cast aluminum housing. Mounting holes are located outside the switch cavity and accept No. 10 screws.

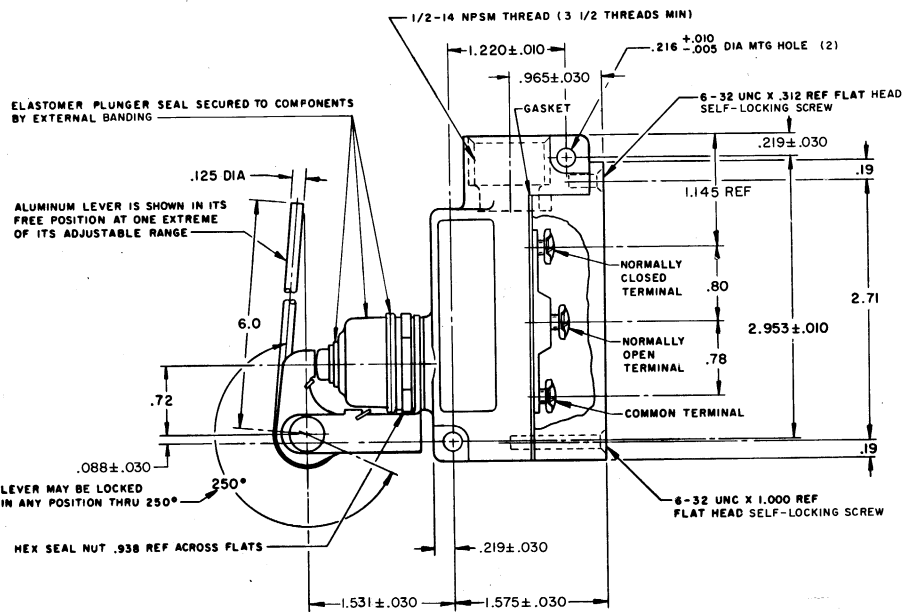
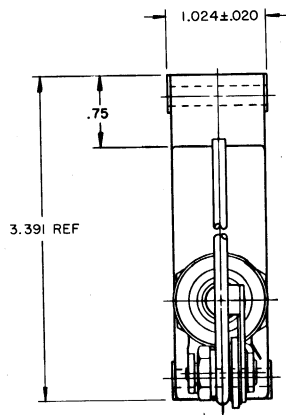
Product Specifications	
Availability	Global
Operating Force (O.F.)	0,83 N to 1,95 N [3 oz to 7 oz]
Release Force (R.F.)	0,28 N [1 oz] min.
Pretravel (P.T.)	18,24 mm max. [0.718 in max.]
Overtravel (O.T.)	21,29 mm min. [0.838 in min.]
Differential Travel (D.T.)	5,82 mm max. [0.229 in max.]
Product Type	Enclosed Switches
Actuator	Low Force Rod
Lever Style	Rod - Low Force
Circuitry	1NC 1NO SPDT Snap Action
Ampere Rating	15 A Ind./0.5 A Res./0.25 A Res.
Supply Voltage	125 Vac, 250 Vac, or 480 Vac/125 Vdc/250 Vdc
Housing Material	Zinc Die-Cast

Housing Type	Split Housing, Side Mount
Series Name	BZG/BZH
Sealing	NEMA 1, 3, 4, 13
Approvals	UL recognized
UL File #	E12252
Operating Temperature Range	-32 °C to 71 °C [-25 °F to 160 °F]
Comment	With seal boot on plunger; Lever field adjustable 360° horizontally and 250° vertically
UNSPSC Code	302119
UNSPSC Commodity	302119 Switches and controls and relays
Sealed	Industrial

H MICRO SWITCH
 FREEPORT, ILLINOIS, U.S.A.
 A DIVISION OF HONEYWELL
 FED. MFG. CODE 81929

SWITCH - ENCLOSED

CATALOG LISTING
BZG1-2RN62



THIS DRAWING COVERS A PROPRIETARY ITEM AND IS THE PROPERTY OF MICRO SWITCH, A DIVISION OF MINNEAPOLIS-HONEYWELL REGULATOR CO. THIS DRAWING IS NOT TO BE COPIED OR USED WITHOUT THE APPROVAL OF MICRO SWITCH.

CHARACTERISTICS	ELECTRICAL DATA	SCALE FULL
OPERATING FORCE - - - - - 3-7 OZ	CONTACT ARRANGEMENT S P D T	DO NOT SCALE PRINT
RELEASE FORCE - - - - - 1 OZ MIN	15A-125, 250 OR 480 VAC; 2A-600 VAC 1/8HP-125 VAC; 1/4HP-250 VAC CODE L74 1/2A-125 VDC; 174A-250 VDC RU	UNLESS OTHERWISE NOTED
PRETRAVEL - - - - - .718 MAX		DIMENSIONS ARE IN INCHES
DIFFERENTIAL TRAVEL - - - .229 MAX		TOLERANCES ARE:
OVERTRAVEL - - - - - .838 MIN		ONE PLACE (.01) 1.030
SWITCH-BASIC REPLACEMENT - - - BZ-2RN702		TWO PLACE (.001) 2.018
		THREE PLACE (.000) 2.005
		ANGLES 2
		WEIGHT

NOTE -
 1 - 6-32 UNC X .219 REF BINDING HEAD TERMINAL SCREW AND CUPWASHER (3)
 2 - ROD LEVER BRACKET ASSEMBLY MAY BE SET AT ANY POSITION AROUND AXIS OF PLUNGER

M BZG1-2RN62
 ISSUE X 37
 REVISIONS
 A PR-1241
 B 022861E
 C 008767E
 D 53989
 E 2072977
 F 7719-
 G 25 FEB 70
 H 25 FEB 70
 I 25 FEB 70
 J 25 FEB 70
 K 25 FEB 70
 L 25 FEB 70
 M 25 FEB 70
 N 25 FEB 70
 O 25 FEB 70
 P 25 FEB 70
 Q 25 FEB 70
 R 25 FEB 70
 S 25 FEB 70
 T 25 FEB 70
 U 25 FEB 70
 V 25 FEB 70
 W 25 FEB 70
 X 25 FEB 70
 Y 25 FEB 70
 Z 25 FEB 70
 PO-8037E-003
 DRAWN
 CHECK
 APPROVED
 RELEASE NO. PR-1341
 REPLACES