



3MN6



Actual product appearance may vary.

MN Series Basic Switch, Double Pole Double Throw Double Break Circuitry, 15 A at 480 Vac, Pin Plunger Actuator, 1,95 N - 3,1 N [7 oz - 11 oz] Operating Force, Quick Connect Termination, Fine Silver Contacts, Screw Termination, CSA, UL

Features

- Double-break circuitry
- Power load switching capability to 15 A at 600 Vac
- Motor handling capacity of 746 W [1 hp] at 240 Vac
- Long mechanical life to 10,000,000 cycles at 95% survival
- Space between terminals reduces possibility of shorting
- Arc-resistant plastic

Potential

Applications

- Machine Tools
- Presses
- Industrial equipment

Description

MICRO SWITCH™ 3MN Series double-break standard basic switches provide easy gang mounting.

Product Specifications	
Switch Type	Standard 25,4 mm H x 17,8 mm W x 50,8 mm L [1.0 in H x 0.7 in W x 2.0 in L]
Sealed	No
Ampere Rating	15 A
Circuitry	Two Circuit, Double Break (2 CKT DB)
Actuator	Pin Plunger
Termination	Screw
Operating Temperature Range	-55 °C to 85 °C [-67 °F to 185 °F]
Voltage	480 Vac
Approvals	CSA,UL
Contact Type	Fine Silver
Operating Force (O.F.)	1,95 N - 3,1 N [7.0 oz - 11.0 oz]
Release Force (R.F.)	1,11 N [4.0 oz] min.
Pretravel (P.T.)	1,52 mm [0.060 in] max.

Overtravel (O.T.)	2.03 mm [0.080 in] min.
Differential Travel (D.T.)	0,38 mm - 0,63 mm [0.015 in - 0.025 in]
Operating Position (O.P.)	2,16 mm [0.085 in] max.
Material	Plastic
Housing Material	General Purpose Phenolic
Agency Approvals and Standards	1054
Mounting Centers	54,1 mm [2.13 in]
Weight	34,5 g [0.076 lb]
Package Height	30,5 mm [1.2 in]
Package Width	17,3 mm [0.68 in]
Package Length	63,5 mm [2.50 in]
Recommended For	Lower force
Availability	Global
UNSPSC Code	30211905
UNSPSC Commodity	30211905 Snap switches
Series Name	MN

MICRO SWITCH

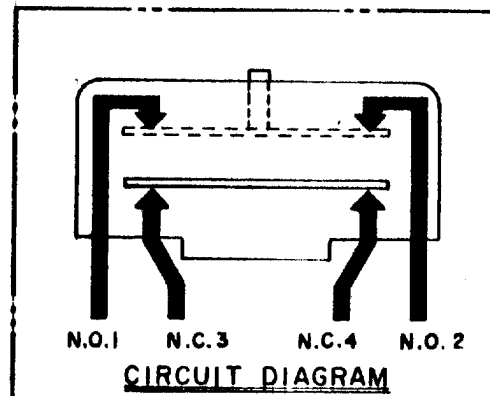
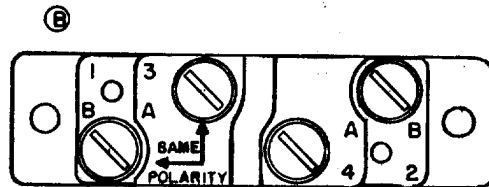
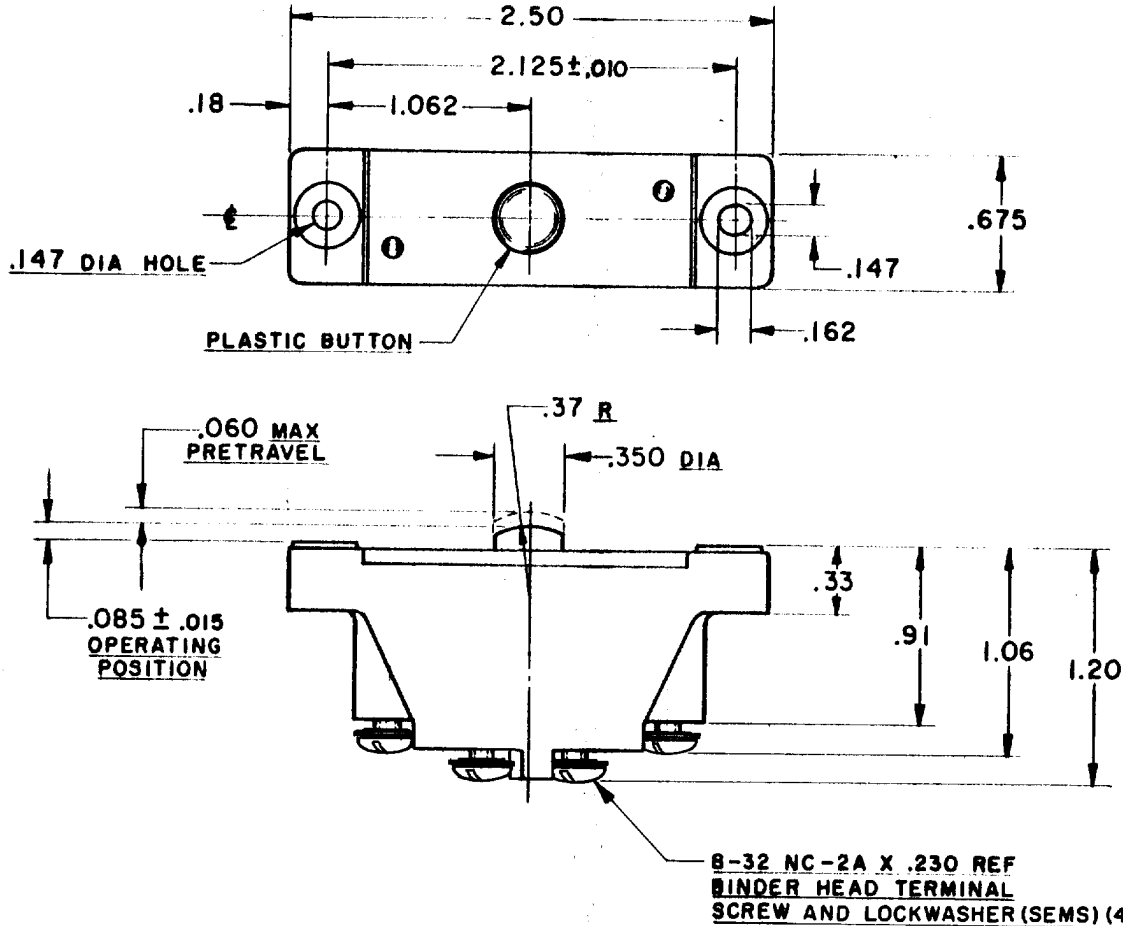
A DIVISION OF MINNEAPOLIS-HONEYWELL REGULATOR COMPANY
 FREEPORT, ILLINOIS

FED. MFR. CODE 91929

SWITCH - BASIC



CATALOG LISTING

3MN6



NOTE -
 1- MOUNTING HOLES WILL ACCEPT PINS OR SCREWS
 OF .139 MAX DIA ON 2.125 ± .005 CENTERS

THIS DRAWING COVERS A PROPRIETARY ITEM AND IS THE PROPERTY OF MICRO SWITCH, A DIVISION OF MINNEAPOLIS-HONEYWELL REGULATOR CO. THIS DRAWING IS NOT TO BE COPIED OR USED WITHOUT THE APPROVAL OF MICRO SWITCH.

CHARACTERISTICS	ELECTRICAL DATA	SCALE FULL
OPERATING FORCE ----- 7-11 OZ	CONTACT ARRANGEMENT SEE CIRCUIT DIAGRAM	DO NOT SCALE PRINT
RELEASE FORCE ----- 4 OZ MIN	UL RECOGNIZED - FILE E22779 15 A-120, 240, 480, OR 600 VAC 1/2 HP-120 VAC; 1 HP-240 VAC 0.8 A-115 VDC; 0.4 A-230 VDC PILOT DUTY RATING: 600 VAC MAX  	UNLESS OTHERWISE SPECIFIED DIMENSIONS ARE IN INCHES TOLERANCES ARE: ONE PLACE (.0) ±.030 TWO PLACE (.00) ±.015 THREE PLACE (.000) ±.005 ANGLES ±
DIFFERENTIAL TRAVEL ----- .015-.025		WEIGHT
OVERTRAVEL ----- .080 MIN		

3MN6
 M
 DRAWING NUMBER
 X 2
 X 5
 ISSUE
 X 2
 X 5
 REVISIONS
 A SR 8314 M B F 24 JUNE 59
 B CORR L M H AUG 59
 C CO 15776 K L B APR 61
 D CO39150 W L W SEPT 77
 CHECK GCH 24 JUN 59
 CHECK JSK 9 APR 59
 CHECK
 R. E. R. 9 APR 59
 DRAWN
 FO-50378