

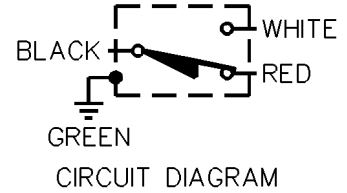
MICRO SWITCH
a Honeywell Division

FED.MFG.CODE 91929

MINIATURE PRECISION
LIMIT SWITCH

CATALOG LISTING

914CE29-6



914CE29-6

REPLACES

RELEASE NO. PR-7324

M

DRAWING NUMBER

4

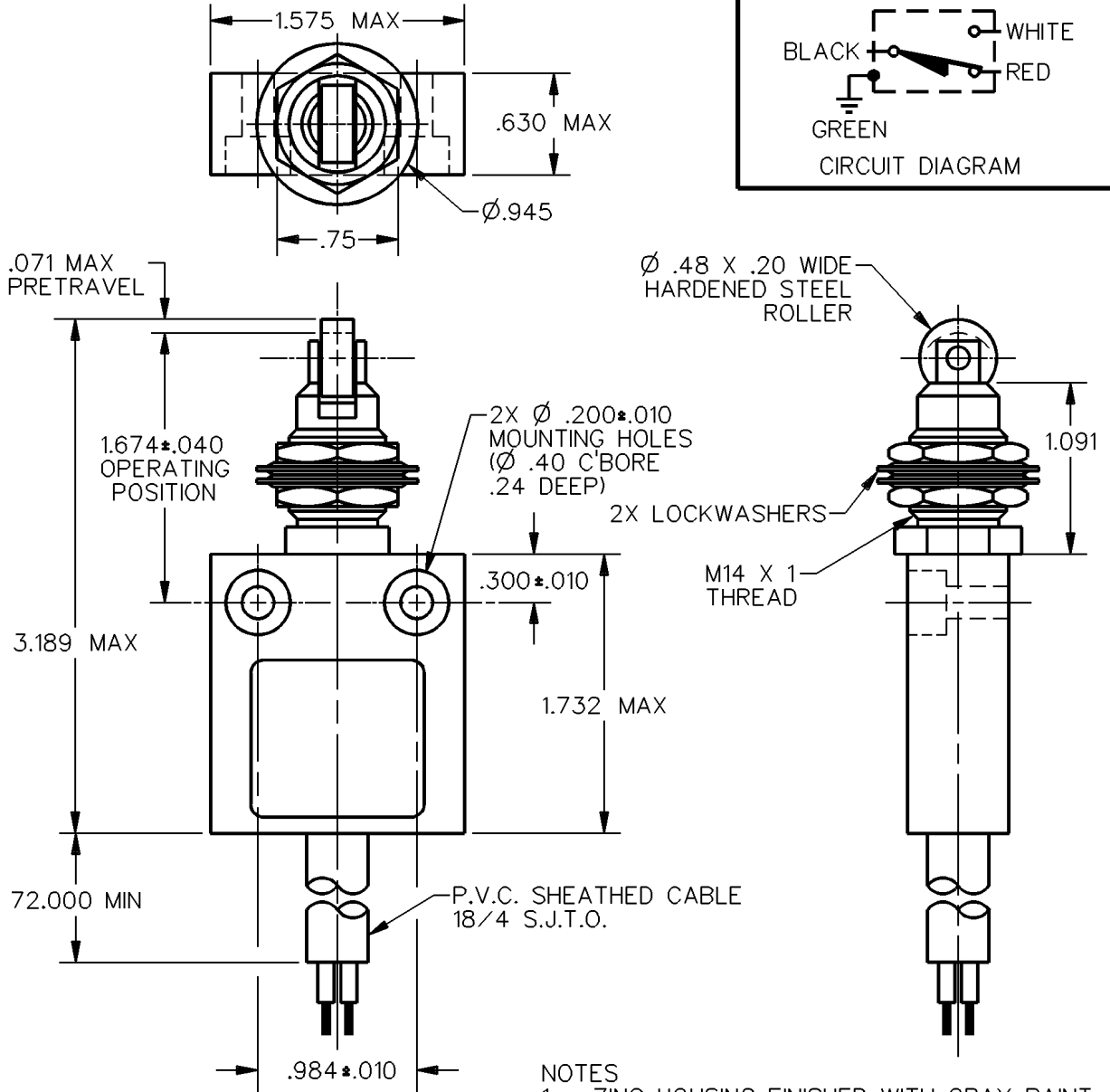
ISSUE

CHECK

REVISIONS

A	CO-69061
S A V	8 OCT 91

CHECK

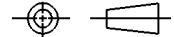


- NOTES
- 1 - ZINC HOUSING FINISHED WITH GRAY PAINT
 - 2 - SWITCH MOUNTS THRU A Ø.571 HOLE
 - 3 - .165 MAX PANEL THICKNESS

ANSI Y14.5M-1982 APPLIES

THIS DRAWING COVERS A PROPRIETARY ITEM AND IS THE PROPERTY OF MICRO SWITCH, A DIVISION OF HONEYWELL. THIS DRAWING IS NOT TO BE COPIED OR USED WITHOUT THE APPROVAL OF MICRO SWITCH.

THIRD ANGLE PROJECTION



CHARACTERISTICS	ELECTRICAL DATA	SCALE FULL	DO NOT SCALE PRINT
OPERATING FORCE 2 LBS 10 1/2 OZ MAX	CONTACT ARRANGEMENT S P D T	UNLESS OTHERWISE SPECIFIED TOLERANCES ARE ONE PLACE (.0) ±.030 TWO PLACE (.00) ±.015 THREE PLACE (.000) ±.005 ANGLES ± WEIGHT	
RELEASE FORCE ————— 1 LB MIN	5A - 250 VAC 1/10HP - 125 OR 250 VAC 		
DIFFERENTIAL FORCE ——— .004 MAX			
OVERTRAVEL ——— .118 MIN			

DDM/CAD

DRAWN

CHECK

S A V 8 OCT 91