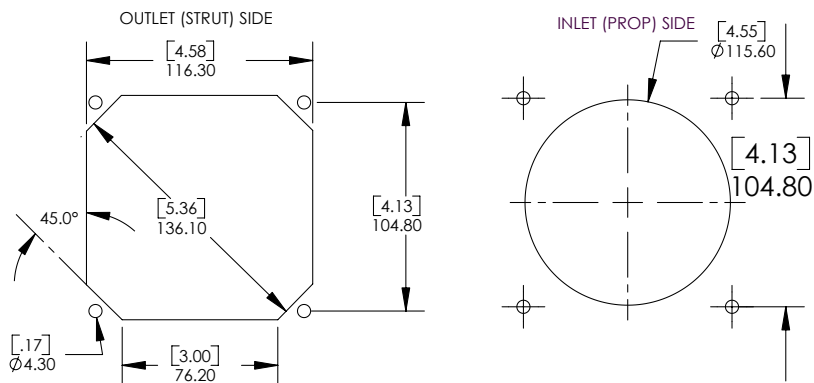



RECOMMENDED CUTOUTS



CONTACT INFO: WWW.COMAIRROTRON.COM		SALES@COMAIRROTRON.COM	
TOLERANCE UNLESS OTHERWISE SPECIFIED 2 PL. DEC. $\pm .03$ [.8] 3 PL. DEC. $\pm .010$ [.25] ANGULAR $\pm 30'$	AMERICAN PROJECTION 	(619) 661 - 6688	3D MODEL FOUND AT..
WHISPER XL AC			