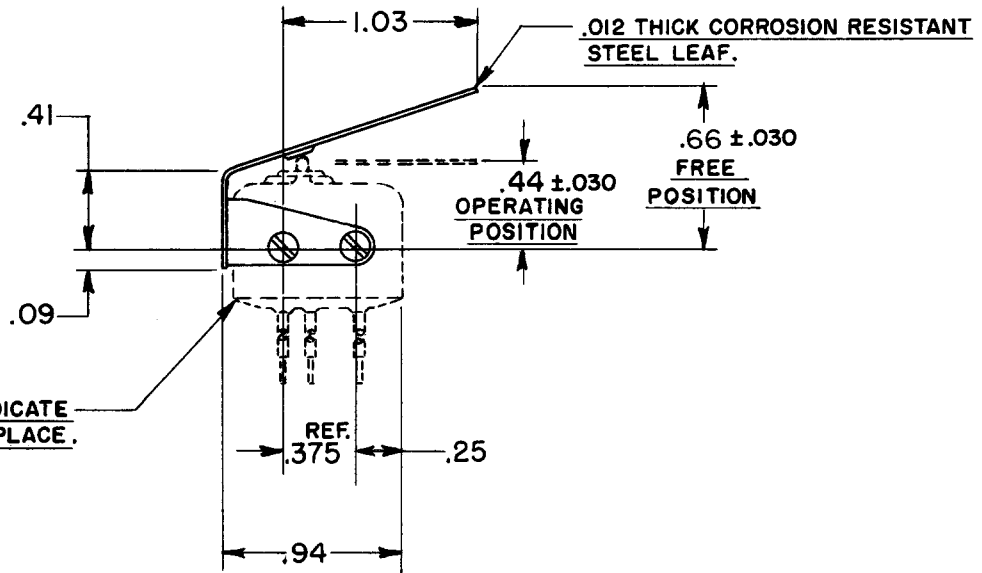
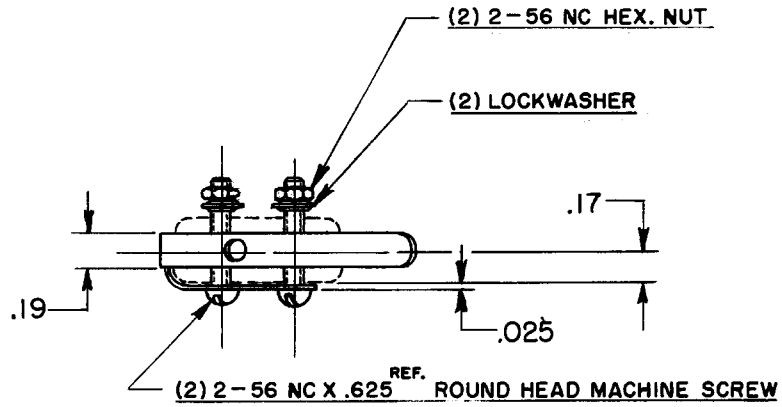


JE-12
 M
 DRAWING NUMBER
 ISSUE X 5
 8 A
 REVISIONS
 A CO47771
 17 C.J.H. MAY 80
 B CO74078
 25 L.J.F. NOV 92
 C CO79303
 DLT 3 MAR 95
 D CO84691
 DLT 22 APR 97
 CHECK B.T.G. 30 JULY 58
 CHECK G.C.H. 29 JULY 58
 CHECK K.L.B. 29 JULY 58
 FORMTEK
 FO-80378
 DRAWN
 RELEASE NO. SR 7698
 REPLACES



NOTE -
 1- SCREWS, NUTS, AND LOCKWASHERS FURNISHED UNASSEMBLED.

THIS DRAWING COVERS A PROPRIETARY ITEM AND IS THE PROPERTY OF MICRO SWITCH, A DIVISION OF MINNEAPOLIS-HONEYWELL REGULATOR CO. THIS DRAWING IS NOT TO BE COPIED OR USED WITHOUT THE APPROVAL OF MICRO SWITCH.

CHARACTERISTICS		ELECTRICAL DATA		SCALE FULL
		CONTACT ARRANGEMENT	BREAK DISTANCE	DO NOT SCALE PRINT
				UNLESS OTHERWISE SPECIFIED DIMENSIONS ARE IN INCHES TOLERANCES ARE:
				ONE PLACE (.0) ±.030 TWO PLACE (.00) ±.015 THREE PLACE (.000) ±.005 ANGLES ±
				WEIGHT