

CABLE PULL NOMENCLATURE

CLS 

BODY CODE	
A	PG13.5
B	1/2 NPT
C	20MM
D	PF 1/2
E	3/4 NPT

BASIC SWITCH CODE	
1	1NC DIRECT ACTING
2	1NO - 1NC SNAP ACTION (HOLDS) MOMENTARY HEADS ONLY
3	1NO - 1NC SNAP ACTION (GLS) MOMENTARY HEADS ONLY
4	1NO - 1NC DIRECT ACTING
5	1NO - 1NC DIRECT ACTING 240V NEON INDICATOR
6	1NO - 1NC DIRECT ACTING 120V NEON INDICATOR
7	1NO - 1NC DIRECT ACTING 24V LED INDICATOR
8	2NC DIRECT ACTING
9	SPECIAL BASIC SEE LETTERED MOD CODES

OPERATING HEAD CODE	
A	"MAINTAINED"
B	"MOMENTARY"
N	"MOMENTARY" W/O BROKEN CABLE DETECTION
T	"MAINTAINED" SNAP ACTION

MODIFICATION CODES *	
B	1NO-3NC SLOW ACTING
E	2NO-2NC SLOW ACTING
G	5-PIN CONNECTOR BRAD HARRISON P/N 41310 OR EQUIV.
N	240V NEON INDICATOR W/SPEC. BASIC
M	120V NEON INDICATOR W/SPEC. BASIC
P	24V LED INDICATOR W/SPEC. BASIC
1	HEAD ORIENTED LEFT
2	HEAD ORIENTED FRONT
3	HEAD ORIENTED REAR

*WHEN MORE THAN ONE MODIFICATION CODE IS SPECIFIED THEY SHALL BE LISTED IN ASCENDING ALPHA-NUMERIC ORDER

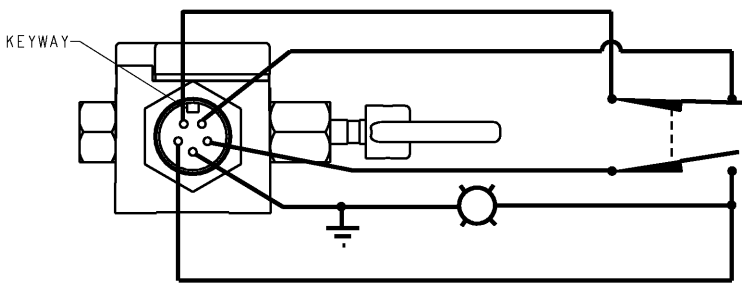
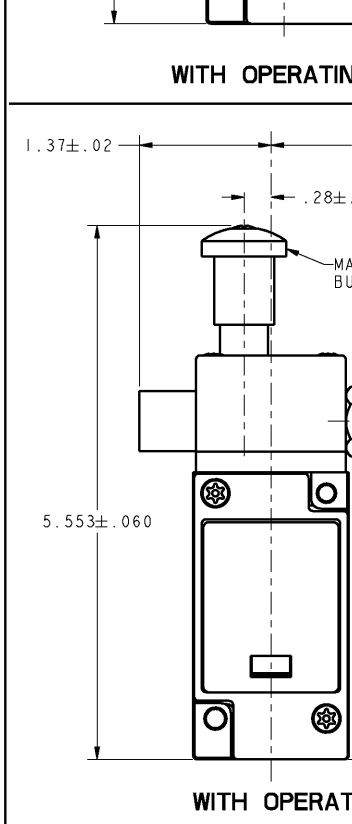
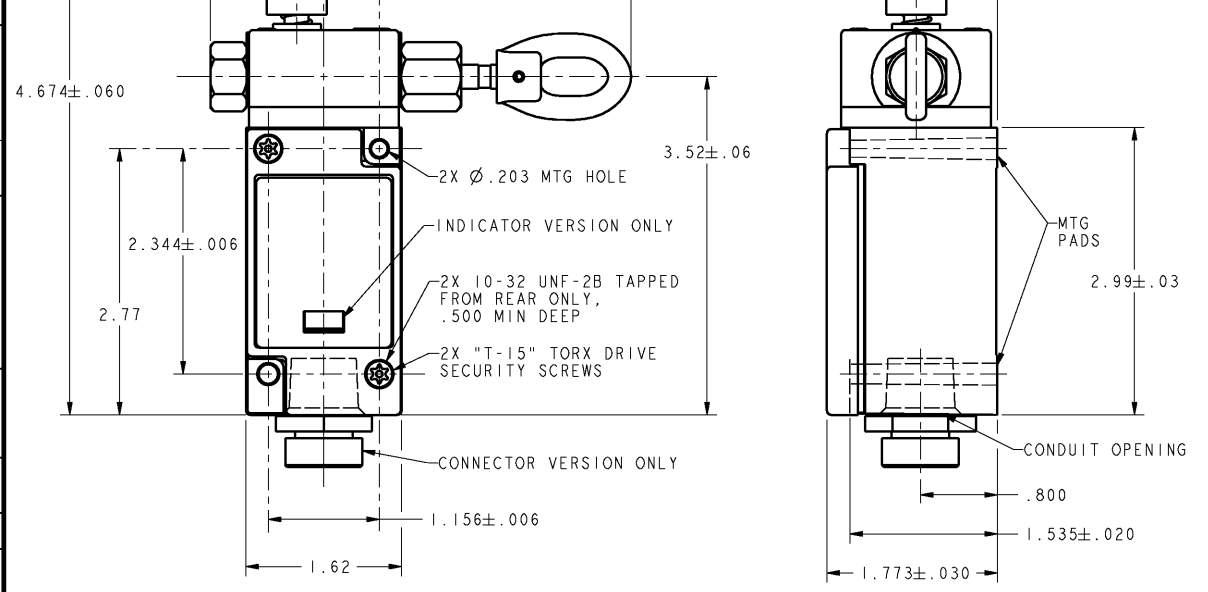
NOTE:

- 1 - COVER AND OPERATING HEAD ATTACHED WITH "T-15" TAMPER PROOF TORX DRIVE SCREWS
- 2 - HARDWARE PACKET CONSISTING OF TURNBUCKLE, NUTS, END SPRING, AND "T-15" TAMPER PROOF TORX DRIVER BIT INCLUDED WITH PRODUCT
- 3 - OPERATING HEAD MAY BE POSITIONED IN ANY OF FOUR DIRECTIONS
- 4 - NOMENCLATURE IS PROVIDED FOR IDENTIFICATION OF EXISTING LISTINGS.
NOT ALL COMBINATIONS ARE POSSIBLE

THIRD ANGLE PROJECTION	
SCALE	NONE
DO NOT SCALE PRINT	
UNLESS OTHERWISE SPECIFIED TOLERANCES ARE	
ONE PLACE	(.03) ±.030
TWO PLACE	(.00) ±.015
THREE PLACE	(.000) ±.005
ANGLES	±
WEIGHT	

CATALOG LISTING
CLS SERIES CHART 1
 ISSUE 9
 REVISIONS
 A CD-95942 04/96
 B CD-9474 04/96
 C CD-95788 04/96
 D CD-95947 04/96
 E 2000 04/96
 F 2004 04/96
 G 2022 04/96
 H 2022 04/96
 I 2022 04/96
 J 2022 04/96
 K 2022 04/96
 L 2022 04/96
 M 2022 04/96
 N 2022 04/96
 O 2022 04/96
 P 2022 04/96
 Q 2022 04/96
 R 2022 04/96
 S 2022 04/96
 T 2022 04/96
 U 2022 04/96
 V 2022 04/96
 W 2022 04/96
 X 2022 04/96
 Y 2022 04/96
 Z 2022 04/96
 AA 2022 04/96
 AB 2022 04/96
 AC 2022 04/96
 AD 2022 04/96
 AE 2022 04/96
 AF 2022 04/96
 AG 2022 04/96
 AH 2022 04/96
 AI 2022 04/96
 AJ 2022 04/96
 AK 2022 04/96
 AL 2022 04/96
 AM 2022 04/96
 AN 2022 04/96
 AO 2022 04/96
 AP 2022 04/96
 AQ 2022 04/96
 AR 2022 04/96
 AS 2022 04/96
 AT 2022 04/96
 AU 2022 04/96
 AV 2022 04/96
 AW 2022 04/96
 AX 2022 04/96
 AY 2022 04/96
 AZ 2022 04/96
 BA 2022 04/96
 BB 2022 04/96
 BC 2022 04/96
 BD 2022 04/96
 BE 2022 04/96
 BF 2022 04/96
 BG 2022 04/96
 BH 2022 04/96
 BI 2022 04/96
 BJ 2022 04/96
 BK 2022 04/96
 BL 2022 04/96
 BM 2022 04/96
 BN 2022 04/96
 BO 2022 04/96
 BP 2022 04/96
 BQ 2022 04/96
 BR 2022 04/96
 BS 2022 04/96
 BT 2022 04/96
 BU 2022 04/96
 BV 2022 04/96
 BV 2022 04/96
 BW 2022 04/96
 BX 2022 04/96
 BY 2022 04/96
 BZ 2022 04/96
 CA 2022 04/96
 CB 2022 04/96
 CC 2022 04/96
 CD 2022 04/96
 CE 2022 04/96
 CF 2022 04/96
 CG 2022 04/96
 CH 2022 04/96
 CI 2022 04/96
 CJ 2022 04/96
 CK 2022 04/96
 CL 2022 04/96
 CM 2022 04/96
 CN 2022 04/96
 CO 2022 04/96
 CP 2022 04/96
 CQ 2022 04/96
 CR 2022 04/96
 CS 2022 04/96
 CT 2022 04/96
 CU 2022 04/96
 CV 2022 04/96
 CW 2022 04/96
 CX 2022 04/96
 CY 2022 04/96
 CZ 2022 04/96
 DA 2022 04/96
 DB 2022 04/96
 DC 2022 04/96
 DD 2022 04/96
 DE 2022 04/96
 DF 2022 04/96
 DG 2022 04/96
 DH 2022 04/96
 DI 2022 04/96
 DJ 2022 04/96
 DK 2022 04/96
 DL 2022 04/96
 DM 2022 04/96
 DN 2022 04/96
 DO 2022 04/96
 DP 2022 04/96
 DQ 2022 04/96
 DR 2022 04/96
 DS 2022 04/96
 DT 2022 04/96
 DU 2022 04/96
 DV 2022 04/96
 DW 2022 04/96
 DX 2022 04/96
 DY 2022 04/96
 DZ 2022 04/96
 EA 2022 04/96
 EB 2022 04/96
 EC 2022 04/96
 ED 2022 04/96
 EE 2022 04/96
 EF 2022 04/96
 EG 2022 04/96
 EH 2022 04/96
 EI 2022 04/96
 EJ 2022 04/96
 EK 2022 04/96
 EL 2022 04/96
 EM 2022 04/96
 EN 2022 04/96
 EO 2022 04/96
 EP 2022 04/96
 EQ 2022 04/96
 ER 2022 04/96
 ES 2022 04/96
 ET 2022 04/96
 EU 2022 04/96
 EV 2022 04/96
 EW 2022 04/96
 EX 2022 04/96
 EY 2022 04/96
 EZ 2022 04/96
 FA 2022 04/96
 FB 2022 04/96
 FC 2022 04/96
 FD 2022 04/96
 FE 2022 04/96
 FF 2022 04/96
 FG 2022 04/96
 FH 2022 04/96
 FI 2022 04/96
 FJ 2022 04/96
 FK 2022 04/96
 FL 2022 04/96
 FM 2022 04/96
 FN 2022 04/96
 FO 2022 04/96
 FP 2022 04/96
 FQ 2022 04/96
 FR 2022 04/96
 FS 2022 04/96
 FT 2022 04/96
 FU 2022 04/96
 FV 2022 04/96
 FW 2022 04/96
 FX 2022 04/96
 FY 2022 04/96
 FZ 2022 04/96
 GA 2022 04/96
 GB 2022 04/96
 GC 2022 04/96
 GD 2022 04/96
 GE 2022 04/96
 GF 2022 04/96
 GG 2022 04/96
 GH 2022 04/96
 GI 2022 04/96
 GJ 2022 04/96
 GK 2022 04/96
 GL 2022 04/96
 GM 2022 04/96
 GN 2022 04/96
 GO 2022 04/96
 GP 2022 04/96
 GQ 2022 04/96
 GR 2022 04/96
 GS 2022 04/96
 GT 2022 04/96
 GU 2022 04/96
 GV 2022 04/96
 GW 2022 04/96
 GX 2022 04/96
 GY 2022 04/96
 GZ 2022 04/96
 HA 2022 04/96
 HB 2022 04/96
 HC 2022 04/96
 HD 2022 04/96
 HE 2022 04/96
 HF 2022 04/96
 HG 2022 04/96
 HH 2022 04/96
 HI 2022 04/96
 HJ 2022 04/96
 HK 2022 04/96
 HL 2022 04/96
 HM 2022 04/96
 HN 2022 04/96
 HO 2022 04/96
 HP 2022 04/96
 HQ 2022 04/96
 HR 2022 04/96
 HS 2022 04/96
 HT 2022 04/96
 HU 2022 04/96
 HV 2022 04/96
 HW 2022 04/96
 HX 2022 04/96
 HY 2022 04/96
 HZ 2022 04/96
 IA 2022 04/96
 IB 2022 04/96
 IC 2022 04/96
 ID 2022 04/96
 IE 2022 04/96
 IF 2022 04/96
 IG 2022 04/96
 IH 2022 04/96
 II 2022 04/96
 IJ 2022 04/96
 IK 2022 04/96
 IL 2022 04/96
 IM 2022 04/96
 IN 2022 04/96
 IO 2022 04/96
 IP 2022 04/96
 IQ 2022 04/96
 IR 2022 04/96
 IS 2022 04/96
 IT 2022 04/96
 IU 2022 04/96
 IV 2022 04/96
 IW 2022 04/96
 IX 2022 04/96
 IY 2022 04/96
 IZ 2022 04/96
 JA 2022 04/96
 JB 2022 04/96
 JC 2022 04/96
 JD 2022 04/96
 JE 2022 04/96
 JF 2022 04/96
 JG 2022 04/96
 JH 2022 04/96
 JI 2022 04/96
 JJ 2022 04/96
 JK 2022 04/96
 JL 2022 04/96
 JM 2022 04/96
 JN 2022 04/96
 JO 2022 04/96
 JP 2022 04/96
 JQ 2022 04/96
 JR 2022 04/96
 JS 2022 04/96
 JT 2022 04/96
 JU 2022 04/96
 JV 2022 04/96
 JW 2022 04/96
 JX 2022 04/96
 JY 2022 04/96
 JZ 2022 04/96
 KA 2022 04/96
 KB 2022 04/96
 KC 2022 04/96
 KD 2022 04/96
 KE 2022 04/96
 KF 2022 04/96
 KG 2022 04/96
 KH 2022 04/96
 KI 2022 04/96
 KJ 2022 04/96
 KK 2022 04/96
 KL 2022 04/96
 KM 2022 04/96
 KN 2022 04/96
 KO 2022 04/96
 KP 2022 04/96
 KQ 2022 04/96
 KR 2022 04/96
 KS 2022 04/96
 KT 2022 04/96
 KU 2022 04/96
 KV 2022 04/96
 KW 2022 04/96
 KX 2022 04/96
 KY 2022 04/96
 KZ 2022 04/96
 LA 2022 04/96
 LB 2022 04/96
 LC 2022 04/96
 LD 2022 04/96
 LE 2022 04/96
 LF 2022 04/96
 LG 2022 04/96
 LH 2022 04/96
 LI 2022 04/96
 LJ 2022 04/96
 LK 2022 04/96
 LL 2022 04/96
 LM 2022 04/96
 LN 2022 04/96
 LO 2022 04/96
 LP 2022 04/96
 LQ 2022 04/96
 LR 2022 04/96
 LS 2022 04/96
 LT 2022 04/96
 LU 2022 04/96
 LV 2022 04/96
 LW 2022 04/96
 LX 2022 04/96
 LY 2022 04/96
 LZ 2022 04/96
 MA 2022 04/96
 MB 2022 04/96
 MC 2022 04/96
 MD 2022 04/96
 ME 2022 04/96
 MF 2022 04/96
 MG 2022 04/96
 MH 2022 04/96
 MI 2022 04/96
 MJ 2022 04/96
 MK 2022 04/96
 ML 2022 04/96
 MN 2022 04/96
 MO 2022 04/96
 MP 2022 04/96
 MQ 2022 04/96
 MR 2022 04/96
 MS 2022 04/96
 MT 2022 04/96
 MU 2022 04/96
 MV 2022 04/96
 MW 2022 04/96
 MX 2022 04/96
 MY 2022 04/96
 MZ 2022 04/96
 NA 2022 04/96
 NB 2022 04/96
 NC 2022 04/96
 ND 2022 04/96
 NE 2022 04/96
 NF 2022 04/96
 NG 2022 04/96
 NH 2022 04/96
 NI 2022 04/96
 NJ 2022 04/96
 NK 2022 04/96
 NL 2022 04/96
 NM 2022 04/96
 NN 2022 04/96
 NO 2022 04/96
 NP 2022 04/96
 NQ 2022 04/96
 NR 2022 04/96
 NS 2022 04/96
 NT 2022 04/96
 NU 2022 04/96
 NV 2022 04/96
 NW 2022 04/96
 NX 2022 04/96
 NY 2022 04/96
 NZ 2022 04/96
 OA 2022 04/96
 OB 2022 04/96
 OC 2022 04/96
 OD 2022 04/96
 OE 2022 04/96
 OF 2022 04/96
 OG 2022 04/96
 OH 2022 04/96
 OI 2022 04/96
 OJ 2022 04/96
 OK 2022 04/96
 OL 2022 04/96
 OM 2022 04/96
 ON 2022 04/96
 OO 2022 04/96
 OP 2022 04/96
 OQ 2022 04/96
 OR 2022 04/96
 OS 2022 04/96
 OT 2022 04/96
 OU 2022 04/96
 OV 2022 04/96
 OW 2022 04/96
 OX 2022 04/96
 OY 2022 04/96
 OZ 2022 04/96
 PA 2022 04/96
 PB 2022 04/96
 PC 2022 04/96
 PD 2022 04/96
 PE 2022 04/96
 PF 2022 04/96
 PG 2022 04/96
 PH 2022 04/96
 PI 2022 04/96
 PJ 2022 04/96
 PK 2022 04/96
 PL 2022 04/96
 PM 2022 04/96
 PN 2022 04/96
 PO 2022 04/96
 PP 2022 04/96
 PQ 2022 04/96
 PR 2022 04/96
 PS 2022 04/96
 PT 2022 04/96
 PU 2022 04/96
 PV 2022 04/96
 PW 2022 04/96
 PX 2022 04/96
 PY 2022 04/96
 PZ 2022 04/96
 QA 2022 04/96
 QB 2022 04/96
 QC 2022 04/96
 QD 2022 04/96
 QE 2022 04/96
 QF 2022 04/96
 QG 2022 04/96
 QH 2022 04/96
 QI 2022 04/96
 QJ 2022 04/96
 QK 2022 04/96
 QL 2022 04/96
 QM 2022 04/96
 QN 2022 04/96
 QO 2022 04/96
 QP 2022 04/96
 QQ 2022 04/96
 QR 2022 04/96
 QS 2022 04/96
 QT 2022 04/96
 QU 2022 04/96
 QV 2022 04/96
 QW 2022 04/96
 QX 2022 04/96
 QY 2022 04/96
 QZ 2022 04/96
 RA 2022 04/96
 RB 2022 04/96
 RC 2022 04/96
 RD 2022 04/96
 RE 2022 04/96
 RF 2022 04/96
 RG 2022 04/96
 RH 2022 04/96
 RI 2022 04/96
 RJ 2022 04/96
 RK 2022 04/96
 RL 2022 04/96
 RM 2022 04/96
 RN 2022 04/96
 RO 2022 04/96
 RP 2022 04/96
 RQ 2022 04/96
 RR 2022 04/96
 RS 2022 04/96
 RT 2022 04/96
 RU 2022 04/96
 RV 2022 04/96
 RW 2022 04/96
 RX 2022 04/96
 RY 2022 04/96
 RZ 2022 04/96
 SA 2022 04/96
 SB 2022 04/96
 SC 2022 04/96
 SD 2022 04/96
 SE 2022 04/96
 SF 2022 04/96
 SG 2022 04/96
 SH 2022 04/96
 SI 2022 04/96
 SJ 2022 04/96
 SK 2022 04/96
 SL 2022 04/96
 SM 2022 04/96
 SN 2022 04/96
 SO 2022 04/96
 SP 2022 04/96
 SQ 2022 04/96
 SR 2022 04/96
 SS 2022 04/96
 ST 2022 04/96
 SU 2022 04/96
 SV 2022 04/96
 SW 2022 04/96
 SX 2022 04/96
 SY 2022 04/96
 SZ 2022 04/96
 TA 2022 04/96
 TB 2022 04/96
 TC 2022 04/96
 TD 2022 04/96
 TE 2022 04/96
 TF 2022 04/96
 TG 2022 04/96
 TH 2022 04/96
 TI 2022 04/96
 TJ 2022 04/96
 TK 2022 04/96
 TL 2022 04/96
 TM 2022 04/96
 TN 2022 04/96
 TO 2022 04/96
 TP 2022 04/96
 TQ 2022 04/96
 TR 2022 04/96
 TS 2022 04/96
 TT 2022 04/96
 TU 2022 04/96
 TV 2022 04/96
 TW 2022 04/96
 TX 2022 04/96
 TY 2022 04/96
 TZ 2022 04/96
 UA 2022 04/96
 UB 2022 04/96
 UC 2022 04/96
 UD 2022 04/96
 UE 2022 04/96
 UF 2022 04/96
 UG 2022 04/96
 UH 2022 04/96
 UI 2022 04/96
 UJ 2022 04/96
 UK 2022 04/96
 UL 2022 04/96
 UM 2022 04/96
 UN 2022 04/96
 UO 2022 04/96
 UP 2022 04/96
 UQ 2022 04/96
 UR 2022 04/96
 US 2022 04/96
 UT 2022 04/96
 UY 2022 04/96
 UV 2022 04/96
 UW 2022 04/96
 UX 2022 04/96
 UY 2022 04/96
 UZ 2022 04/96
 VA 2022 04/96
 VB 2022 04/96
 VC 2022 04/96
 VD 2022 04/96
 VE 2022 04/96
 VF 2022 04/96
 VG 2022 04/96
 VH 2022 04/96
 VI 2022 04/96
 VJ 2022 04/96
 VK 2022 04/96
 VL 2022 04/96
 VM 2022 04/96
 VN 2022 04/96
 VO 2022 04/96
 VP 2022 04/96
 VQ 2022 04/96
 VR 2022 04/96
 VS 2022 04/96
 VT 2022 04/96
 VU 2022 04/96
 VV 2022 04/96
 VW 2022 04/96
 VX 2022 04/96
 VY 2022 04/96
 VZ 2022 04/96
 WA 2022 04/96
 WB 2022 04/96
 WC 2022 04/96
 WD 2022 04/96
 WE 2022 04/96
 WF 2022 04/96
 WG 2022 04/96
 WH 2022 04/96
 WI 2022 04/96
 WJ 2022 04/96
 WK 2022 04/96
 WL 2022 04/96
 WM 2022 04/96
 WN 2022 04/96
 WO 2022 04/96
 WP 2022 04/96
 WQ 2022 04/96
 WR 2022 04/96
 WS 2022 04/96
 WT 2022 04/96
 WU 2022 04/96
 WV 2022 04/96
 WW 2022 04/96
 WX 2022 04/96
 WY 2022 04/96
 WZ 2022 04/96
 XA 2022 04/96
 XB 2022 04/96
 XC 2022 04/96
 XD 2022 04/96
 XE 2022 04/96
 XF 2022 04/96
 XG 2022 04/96
 XH 2022 04

P.T.C./C.A.D. 3D		DATE	BY	CHKD	APP'D
DRAWING NUMBER		22 OCT 99	MAN		
ISSUE		9			
REVISIONS					
A	CO-95168	22 OCT 99	MAN		
B	CO-95967	04 FEB 00	MAN		
C	201010	03 MAY 00	MAN		
D	201144	27 FEB 01	DCS		
E	202321				



WITH OPERATING HEAD CODES "A" & "N"

ANSI Y14.5M-1982 APPLIES

THIS DRAWING COVERS A PROPRIETARY ITEM AND IS THE PROPERTY OF MICRO SWITCH, A HONEYWELL. THIS DRAWING IS NOT TO BE COPIED OR USED WITHOUT THE APPROVAL OF MICRO SWITCH.

MICRO SWITCH a Honeywell Division	SWITCH - ENCLOSED	CLS SERIES
FED. MFG. CODE 91929		

CABLE PULL NOMENCLATURE

CLS

BODY CODE	
A	PG13.5
B	1/2 NPT
C	20MM
D	PF 1/2
E	3/4 NPT

BASIC SWITCH CODE	
1	1NC DIRECT ACTING
2	1NO - 1NC SNAP ACTION (HOLDS) MOMENTARY HEADS ONLY
3	1NO - 1NC SNAP ACTION (GLS) MOMENTARY HEADS ONLY
4	1NO - 1NC DIRECT ACTING
5	1NO - 1NC DIRECT ACTING 240V NEON INDICATOR
6	1NO - 1NC DIRECT ACTING 120V NEON INDICATOR
7	1NO - 1NC DIRECT ACTING 24V LED INDICATOR
8	2NC DIRECT ACTING
9	SPECIAL BASIC SEE LETTERED MOD CODES

OPERATING HEAD CODE	
A	"MAINTAINED"
B	"MOMENTARY"
N	"MAINTAINED" W/O BROKEN CABLE DETECTION
T	"MAINTAINED" SNAP ACTION

MODIFICATION CODES *	
B	1NO-3NC SLOW ACTING
E	2NO-2NC SLOW ACTING
G	5-PIN CONNECTOR BRAD HARRISON P/N 41310 OR EQUIV.
N	240V NEON INDICATOR W/SPEC. BASIC
M	120V NEON INDICATOR W/SPEC. BASIC
P	24V LED INDICATOR W/SPEC. BASIC
1	HEAD ORIENTED LEFT
2	HEAD ORIENTED FRONT
3	HEAD ORIENTED REAR

*WHEN MORE THAN ONE MODIFICATION CODE IS SPECIFIED THEY SHALL BE LISTED IN ASCENDING ALPHA-NUMERIC ORDER

NOTE:

- 1 - COVER AND OPERATING HEAD ATTACHED WITH "T-15" TAMPER PROOF TORX DRIVE SCREWS
- 2 - HARDWARE PACKET CONSISTING OF TURNBUCKLE, NUTS, END SPRING, AND "T-15" TAMPER PROOF TORX DRIVER BIT INCLUDED WITH PRODUCT
- 3 - OPERATING HEAD MAY BE POSITIONED IN ANY OF FOUR DIRECTIONS
- 4 - NOMENCLATURE IS PROVIDED FOR IDENTIFICATION OF EXISTING LISTINGS.
NOT ALL COMBINATIONS ARE POSSIBLE

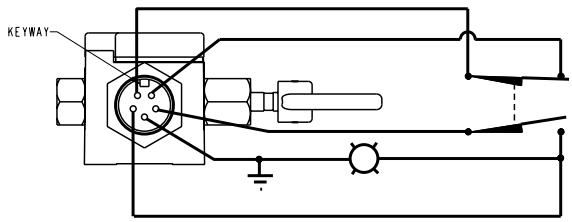
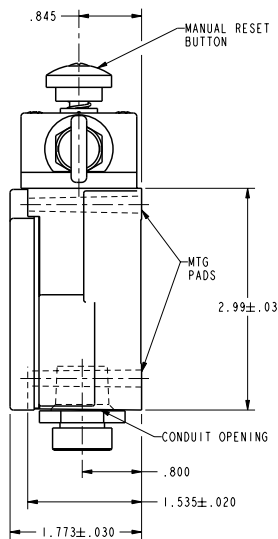
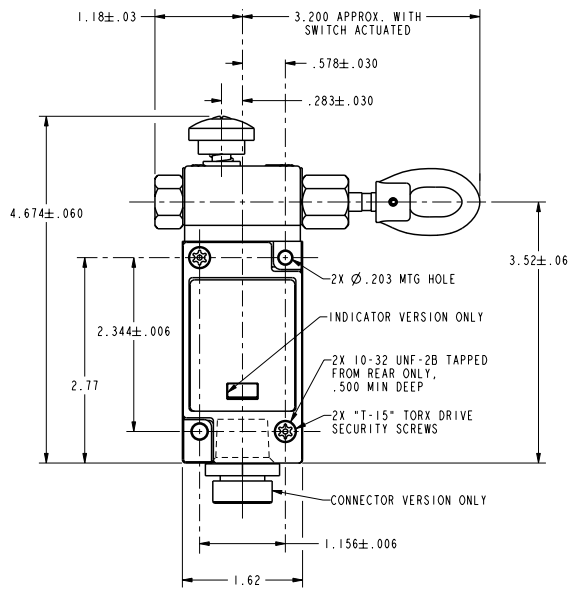
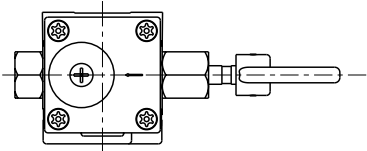
ANSI Y14.5M-1982 APPLIES

CATALOG LISTING
CLS SERIES CHART 1
 ISSUE 14
 M
 RELEASE NO. PR-2697
 I OF 3
 REPLACES
 CHECK
 REVISIONS
 A 200470 3M 08/93
 B 207203 0LT 2/98
 CHECK
 LJK 5 APR 96
 CHECK
 LJK 7 DEC 98
 CHECK
 PTC/CAD
 DRAWN

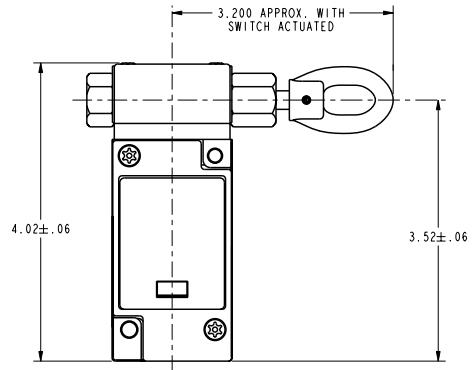
THIRD ANGLE PROJECTION	
SCALE	NONE
DO NOT SCALE PRINT	
UNLESS OTHERWISE SPECIFIED TOLERANCES ARE	
ONE PLACE	(.01) ±.030
TWO PLACE	(.00) ±.015
THREE PLACE	(.000) ±.005
ANGLES	±
WEIGHT	

BASIC SWITCH CODES 1 - 8

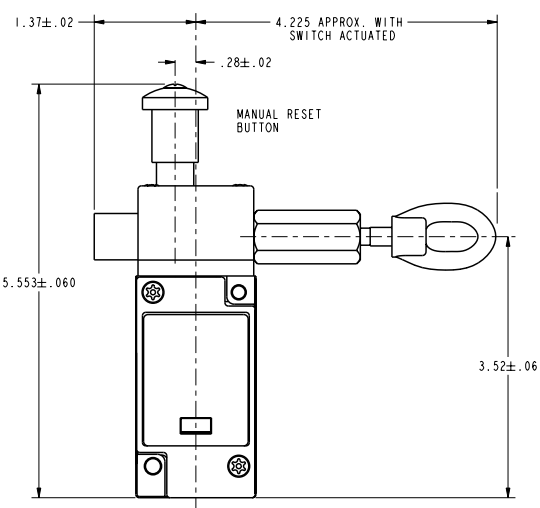
CLS SERIES CHART 1



WITH OPERATING HEAD CODES "A" & "N"



WITH OPERATING HEAD CODE "B"



WITH OPERATING HEAD CODE "T"

THIRD ANGLE PROJECTION		
SCALE	FULL	
DO NOT SCALE PRINT		
UNLESS OTHERWISE SPECIFIED TOLERANCES ARE		
ONE PLACE	(.01)	±.030
TWO PLACES	(.001)	±.015
THREE PLACES	(.0001)	±.005
ANGLES		±
WEIGHT		

THIS DRAWING COVERS A PROPRIETARY ITEM AND IS THE PROPERTY OF MICRO SWITCH, A DIVISION OF HONEYWELL. THIS DRAWING IS NOT TO BE COPIED OR USED WITHOUT THE APPROVAL OF MICRO SWITCH.

MICRO SWITCH
a Honeywell Division

SWITCH - ENCLOSED

CATALOG LISTING
CLS SERIES CHART 1

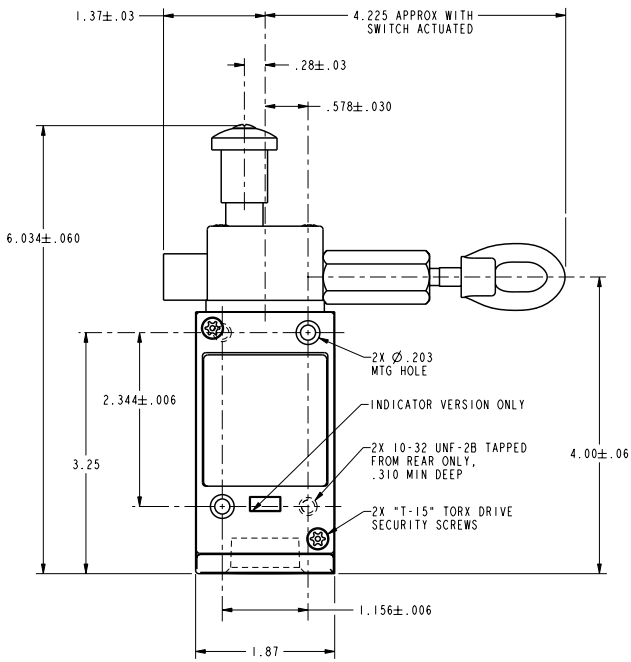
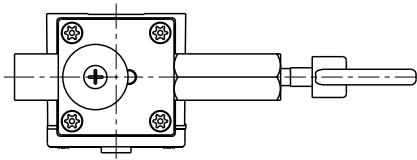
FED. MFG. CODE 91829

ANSI Y14.5M-1982 APPLIES

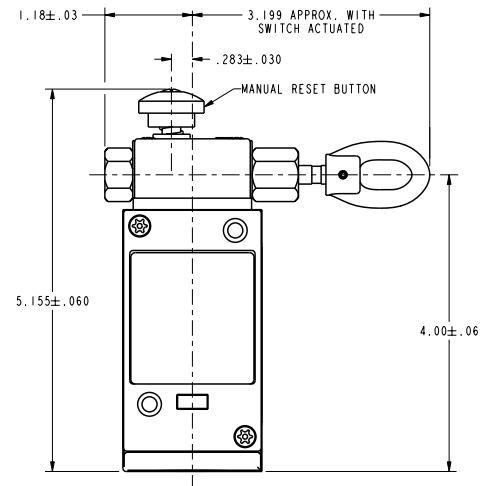
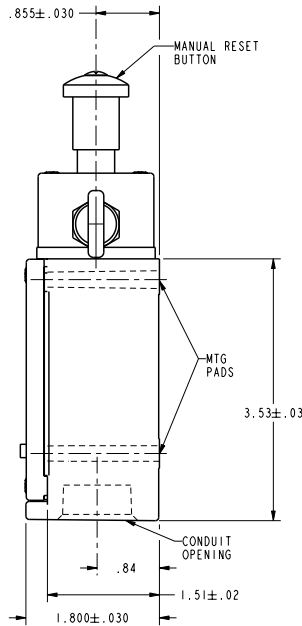
P.T.C./CAD 10
 DATE 12 OCT 93
 MCM
 REVISIONS
 A CO-93788
 B CO-93788
 C 201010
 D 201144
 E 202201
 F 202201
 G 205198
 H 205952
 I 206419
 J 207083
 K 207083
 L 207083
 M 207083
 N 207083
 O 207083
 P 207083
 Q 207083
 R 207083
 S 207083
 T 207083
 U 207083
 V 207083
 W 207083
 X 207083
 Y 207083
 Z 207083
 AA 207083
 AB 207083
 AC 207083
 AD 207083
 AE 207083
 AF 207083
 AG 207083
 AH 207083
 AI 207083
 AJ 207083
 AK 207083
 AL 207083
 AM 207083
 AN 207083
 AO 207083
 AP 207083
 AQ 207083
 AR 207083
 AS 207083
 AT 207083
 AU 207083
 AV 207083
 AW 207083
 AX 207083
 AY 207083
 AZ 207083
 BA 207083
 BB 207083
 BC 207083
 BD 207083
 BE 207083
 BF 207083
 BG 207083
 BH 207083
 BI 207083
 BJ 207083
 BK 207083
 BL 207083
 BM 207083
 BN 207083
 BO 207083
 BP 207083
 BQ 207083
 BR 207083
 BS 207083
 BT 207083
 BU 207083
 BV 207083
 BW 207083
 BX 207083
 BY 207083
 BZ 207083
 CA 207083
 CB 207083
 CC 207083
 CD 207083
 CE 207083
 CF 207083
 CG 207083
 CH 207083
 CI 207083
 CJ 207083
 CK 207083
 CL 207083
 CM 207083
 CN 207083
 CO 207083
 CP 207083
 CQ 207083
 CR 207083
 CS 207083
 CT 207083
 CU 207083
 CV 207083
 CW 207083
 CX 207083
 CY 207083
 CZ 207083
 DA 207083
 DB 207083
 DC 207083
 DD 207083
 DE 207083
 DF 207083
 DG 207083
 DH 207083
 DI 207083
 DJ 207083
 DK 207083
 DL 207083
 DM 207083
 DN 207083
 DO 207083
 DP 207083
 DQ 207083
 DR 207083
 DS 207083
 DT 207083
 DU 207083
 DV 207083
 DW 207083
 DX 207083
 DY 207083
 DZ 207083
 EA 207083
 EB 207083
 EC 207083
 ED 207083
 EE 207083
 EF 207083
 EG 207083
 EH 207083
 EI 207083
 EJ 207083
 EK 207083
 EL 207083
 EM 207083
 EN 207083
 EO 207083
 EP 207083
 EQ 207083
 ER 207083
 ES 207083
 ET 207083
 EU 207083
 EV 207083
 EW 207083
 EX 207083
 EY 207083
 EZ 207083
 FA 207083
 FB 207083
 FC 207083
 FD 207083
 FE 207083
 FF 207083
 FG 207083
 FH 207083
 FI 207083
 FJ 207083
 FK 207083
 FL 207083
 FM 207083
 FN 207083
 FO 207083
 FP 207083
 FQ 207083
 FR 207083
 FS 207083
 FT 207083
 FU 207083
 FV 207083
 FW 207083
 FX 207083
 FY 207083
 FZ 207083
 GA 207083
 GB 207083
 GC 207083
 GD 207083
 GE 207083
 GF 207083
 GG 207083
 GH 207083
 GI 207083
 GJ 207083
 GK 207083
 GL 207083
 GM 207083
 GN 207083
 GO 207083
 GP 207083
 GQ 207083
 GR 207083
 GS 207083
 GT 207083
 GU 207083
 GV 207083
 GW 207083
 GX 207083
 GY 207083
 GZ 207083
 HA 207083
 HB 207083
 HC 207083
 HD 207083
 HE 207083
 HF 207083
 HG 207083
 HH 207083
 HI 207083
 HJ 207083
 HK 207083
 HL 207083
 HM 207083
 HN 207083
 HO 207083
 HP 207083
 HQ 207083
 HR 207083
 HS 207083
 HT 207083
 HU 207083
 HV 207083
 HW 207083
 HX 207083
 HY 207083
 HZ 207083
 IA 207083
 IB 207083
 IC 207083
 ID 207083
 IE 207083
 IF 207083
 IG 207083
 IH 207083
 II 207083
 IJ 207083
 IK 207083
 IL 207083
 IM 207083
 IN 207083
 IO 207083
 IP 207083
 IQ 207083
 IR 207083
 IS 207083
 IT 207083
 IU 207083
 IV 207083
 IW 207083
 IX 207083
 IY 207083
 IZ 207083
 JA 207083
 JB 207083
 JC 207083
 JD 207083
 JE 207083
 JF 207083
 JG 207083
 JH 207083
 JI 207083
 JJ 207083
 JK 207083
 JL 207083
 JM 207083
 JN 207083
 JO 207083
 JP 207083
 JQ 207083
 JR 207083
 JS 207083
 JT 207083
 JU 207083
 JV 207083
 JW 207083
 JX 207083
 JY 207083
 JZ 207083
 KA 207083
 KB 207083
 KC 207083
 KD 207083
 KE 207083
 KF 207083
 KG 207083
 KH 207083
 KI 207083
 KJ 207083
 KK 207083
 KL 207083
 KM 207083
 KN 207083
 KO 207083
 KP 207083
 KQ 207083
 KR 207083
 KS 207083
 KT 207083
 KU 207083
 KV 207083
 KW 207083
 KX 207083
 KY 207083
 KZ 207083
 LA 207083
 LB 207083
 LC 207083
 LD 207083
 LE 207083
 LF 207083
 LG 207083
 LH 207083
 LI 207083
 LJ 207083
 LK 207083
 LL 207083
 LM 207083
 LN 207083
 LO 207083
 LP 207083
 LQ 207083
 LR 207083
 LS 207083
 LT 207083
 LU 207083
 LV 207083
 LW 207083
 LX 207083
 LY 207083
 LZ 207083
 MA 207083
 MB 207083
 MC 207083
 MD 207083
 ME 207083
 MF 207083
 MG 207083
 MH 207083
 MI 207083
 MJ 207083
 MK 207083
 ML 207083
 MM 207083
 MN 207083
 MO 207083
 MP 207083
 MQ 207083
 MR 207083
 MS 207083
 MT 207083
 MU 207083
 MV 207083
 MW 207083
 MX 207083
 MY 207083
 MZ 207083
 NA 207083
 NB 207083
 NC 207083
 ND 207083
 NE 207083
 NF 207083
 NG 207083
 NH 207083
 NI 207083
 NJ 207083
 NK 207083
 NL 207083
 NM 207083
 NN 207083
 NO 207083
 NP 207083
 NQ 207083
 NR 207083
 NS 207083
 NT 207083
 NU 207083
 NV 207083
 NW 207083
 NX 207083
 NY 207083
 NZ 207083
 OA 207083
 OB 207083
 OC 207083
 OD 207083
 OE 207083
 OF 207083
 OG 207083
 OH 207083
 OI 207083
 OJ 207083
 OK 207083
 OL 207083
 OM 207083
 ON 207083
 OO 207083
 OP 207083
 OQ 207083
 OR 207083
 OS 207083
 OT 207083
 OU 207083
 OV 207083
 OW 207083
 OX 207083
 OY 207083
 OZ 207083
 PA 207083
 PB 207083
 PC 207083
 PD 207083
 PE 207083
 PF 207083
 PG 207083
 PH 207083
 PI 207083
 PJ 207083
 PK 207083
 PL 207083
 PM 207083
 PN 207083
 PO 207083
 PP 207083
 PQ 207083
 PR 207083
 PS 207083
 PT 207083
 PU 207083
 PV 207083
 PW 207083
 PX 207083
 PY 207083
 PZ 207083
 QA 207083
 QB 207083
 QC 207083
 QD 207083
 QE 207083
 QF 207083
 QG 207083
 QH 207083
 QI 207083
 QJ 207083
 QK 207083
 QL 207083
 QM 207083
 QN 207083
 QO 207083
 QP 207083
 QQ 207083
 QR 207083
 QS 207083
 QT 207083
 QU 207083
 QV 207083
 QW 207083
 QX 207083
 QY 207083
 QZ 207083
 RA 207083
 RB 207083
 RC 207083
 RD 207083
 RE 207083
 RF 207083
 RG 207083
 RH 207083
 RI 207083
 RJ 207083
 RK 207083
 RL 207083
 RM 207083
 RN 207083
 RO 207083
 RP 207083
 RQ 207083
 RR 207083
 RS 207083
 RT 207083
 RU 207083
 RV 207083
 RW 207083
 RX 207083
 RY 207083
 RZ 207083
 SA 207083
 SB 207083
 SC 207083
 SD 207083
 SE 207083
 SF 207083
 SG 207083
 SH 207083
 SI 207083
 SJ 207083
 SK 207083
 SL 207083
 SM 207083
 SN 207083
 SO 207083
 SP 207083
 SQ 207083
 SR 207083
 SS 207083
 ST 207083
 SU 207083
 SV 207083
 SW 207083
 SX 207083
 SY 207083
 SZ 207083
 TA 207083
 TB 207083
 TC 207083
 TD 207083
 TE 207083
 TF 207083
 TG 207083
 TH 207083
 TI 207083
 TJ 207083
 TK 207083
 TL 207083
 TM 207083
 TN 207083
 TO 207083
 TP 207083
 TQ 207083
 TR 207083
 TS 207083
 TU 207083
 TV 207083
 TW 207083
 TX 207083
 TY 207083
 TZ 207083
 UA 207083
 UB 207083
 UC 207083
 UD 207083
 UE 207083
 UF 207083
 UG 207083
 UH 207083
 UI 207083
 UJ 207083
 UK 207083
 UL 207083
 UM 207083
 UN 207083
 UO 207083
 UP 207083
 UQ 207083
 UR 207083
 US 207083
 UT 207083
 UY 207083
 UZ 207083
 VA 207083
 VB 207083
 VC 207083
 VD 207083
 VE 207083
 VF 207083
 VG 207083
 VH 207083
 VI 207083
 VJ 207083
 VK 207083
 VL 207083
 VM 207083
 VN 207083
 VO 207083
 VP 207083
 VQ 207083
 VR 207083
 VS 207083
 VT 207083
 VY 207083
 VZ 207083
 WA 207083
 WB 207083
 WC 207083
 WD 207083
 WE 207083
 WF 207083
 WG 207083
 WH 207083
 WI 207083
 WJ 207083
 WK 207083
 WL 207083
 WM 207083
 WN 207083
 WO 207083
 WP 207083
 WQ 207083
 WR 207083
 WS 207083
 WT 207083
 WY 207083
 WZ 207083
 XA 207083
 XB 207083
 XC 207083
 XD 207083
 XE 207083
 XF 207083
 XG 207083
 XH 207083
 XI 207083
 XJ 207083
 XK 207083
 XL 207083
 XM 207083
 XN 207083
 XO 207083
 XP 207083
 XQ 207083
 XR 207083
 XS 207083
 XT 207083
 XY 207083
 XZ 207083
 YA 207083
 YB 207083
 YC 207083
 YD 207083
 YE 207083
 YF 207083
 YG 207083
 YH 207083
 YI 207083
 YJ 207083
 YK 207083
 YL 207083
 YM 207083
 YN 207083
 YO 207083
 YP 207083
 YQ 207083
 YR 207083
 YS 207083
 YT 207083
 YY 207083
 YZ 207083
 ZA 207083
 ZB 207083
 ZC 207083
 ZD 207083
 ZE 207083
 ZF 207083
 ZG 207083
 ZH 207083
 ZI 207083
 ZJ 207083
 ZK 207083
 ZL 207083
 ZM 207083
 ZN 207083
 ZO 207083
 ZP 207083
 ZQ 207083
 ZR 207083
 ZS 207083
 ZT 207083
 ZY 207083
 ZZ 207083

BASIC SWITCH CODE 9

CLS SERIES CHART 1



WITH OPERATING HEAD CODE "T"



WITH OPERATING HEAD CODE "A"

P.T.C./CAD 130
 DATE 22 OCT 93
 MAN 12200793
 ISSUE 14
 MCLC SERIES CHART 1
 REVISIONS
 A CO-93188 17 OCT 93
 B CO-93187 17 OCT 93
 C 201610 18 OCT 93
 D 201144 18 OCT 93
 E 201201 18 OCT 93
 F 201202 18 OCT 93
 G 205138 17 OCT 93
 H 205932 17 OCT 93
 I 204419 17 OCT 93
 J 207083 17 OCT 93
 K 207083 17 OCT 93
 L 207083 17 OCT 93

THIS DRAWING COVERS A PROPRIETARY ITEM AND IS THE PROPERTY OF MICRO SWITCH, A DIVISION OF HONEYWELL. THIS DRAWING IS NOT TO BE COPIED OR USED WITHOUT THE APPROVAL OF MICRO SWITCH.

MICRO SWITCH
a Honeywell Division

SWITCH - ENCLOSED

CATALOG LISTING
CLS SERIES CHART 1

THIRD ANGLE PROJECTION		
SCALE	FULL	
DO NOT SCALE PRINT		
UNLESS OTHERWISE SPECIFIED TOLERANCES ARE		
ONE PLACE	(.01)	±.030
TWO PLACES	(.001)	±.015
THREE PLACES	(.0001)	±.005
ANGLES		±
WEIGHT		

ANSI Y14.5M-1982 APPLIES