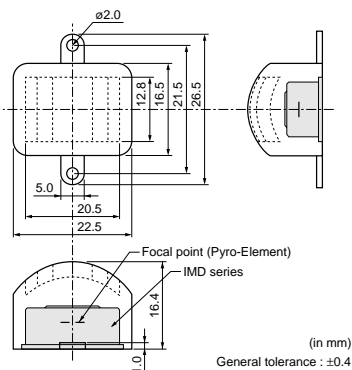


Pyroelectric Infrared Sensors

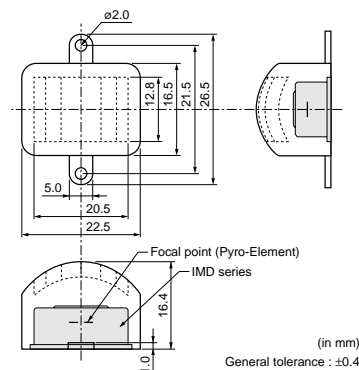
Fresnel Lens



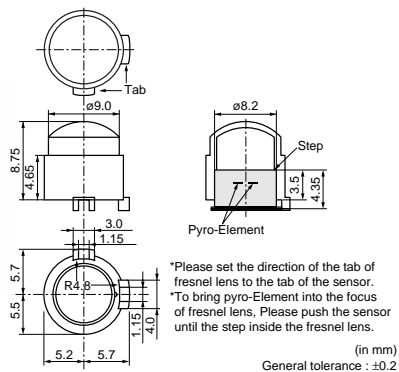
IMD-FL01G



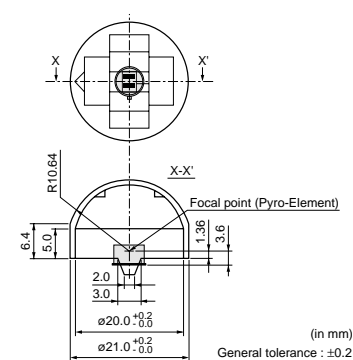
IMD-FL01W



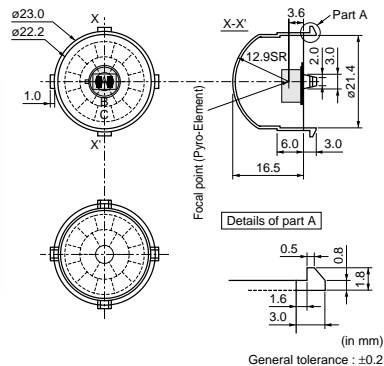
IML Series



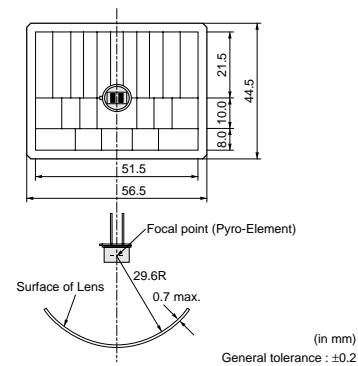
PPGI0601



PPGI0626



PPGI0902



Part Number	Material	Color	Operating Temperature Range (°C)
IMD-FL01G	High density polyethylene	Dark Gray	-20 to 60
IMD-FL01W	High density polyethylene	Natural(White)	-20 to 60
IML-0635	High density polyethylene	Natural(White)	-25 to 55
IML-0636	High density polyethylene	Natural(White)	-25 to 55
IML-0637	High density polyethylene	Natural(White)	-25 to 55
PPGI0601	High density polyethylene	Natural(White)	-25 to 55
PPGI0626	High density polyethylene	Natural(White)	-25 to 55
PPGI0902	High density polyethylene	Natural(White)	-20 to 60

△Note • This catalog has only typical specifications because there is no space for detailed specifications. Therefore, please approve our product specifications or transact the approval sheet for product specifications before ordering. Especially, please read rating and △CAUTION (for storage, operating, rating, soldering, mounting and handling) in them to prevent smoking and/or burning, etc.
• You are able to read a detailed specifications in the website (<http://search.murata.co.jp/>) before to require our product specifications or to transact the approval sheet for product specifications.