

Tous droits strictement réservés. Reproduction ou communication à des tiers sans autorisation écrite du propriétaire.
 All rights strictly reserved. Reproduction or communication to third parties in any form without written authority from the proprietor.
 Copyright BERG ELECTRONICS S.p.A.



All rights strictly reserved. Reproduction or issue to third parties in any form without written authority from the proprietor.
 Copyright BERG ELECTRONICS S.p.A.

PRODUCT NO.
10026704-*****
10026704-*****LF

DESCRIPTION : ABOVE PCB, DECK AND PUSH ROD LOCATION ARE AS VIEW BY USER.

LOWER DECK						
① PRODUCT NO.	DIM. L	PUSH ROD LOCATION ③	P.C.B. SIDE ④	P.C.B LAYOUT RECOMMENDED	② MATING RECEPTACLE	MOUNT STYLE TO PCB AND PUSH ROD SIDE
10026704-020CA/020CALF	2.2	RIGHT	ABOVE	SEE DRAWING P/N: TA-1052	↑ RECEPTACLE PART NUMBER: 91931-31169 91931-31169LF ↓	
10026704-040CA/040CALF	4.3					
10026704-050CA/050CALF	5.0					
10026704-120CA/120CALF	2.2	LEFT				
10026704-140CA/140CALF	4.3					
10026704-150CA/150CALF	5.0					
10026704-520CA/520CALF	2.2	RIGHT	BELOW			
10026704-540CA/540CALF	4.3					
10026704-550CA/550CALF	5.0					
10026704-620CA/620CALF	2.2	LEFT				
10026704-640CA/640CALF	4.3					
10026704-650CA/650CALF	5.0					

NOTES:

- 8mm MIN. CARD EJECT.
- EJECT TRAVEL: 9.5mm
- PUSH ROD LOCATION AND P.C.B. SIDE ARE AS APPEARS INSTALLED.
- MATERIAL
 - HEADER ASS'Y:
 - PLASTIC : HOUSING ...LCP UL94V-0 BLACK
 - PIN : COPPER ALLOY
 - PCB : FR4
 - EJECT MECHANISM ASS'Y:
 - PLASTIC : GUIDE: POLYPHTHARAMID UL94V-0 BLACK
 - : BUTTON: POLYPHTHARAMID UL94V-0, BLACK
 - PLATE AND PUSH ROD : STAINLESS
 - EMI CONTACT: PHOSPHOR BRONZE
- FINISH (PIN)
 - UNDER PLATING : 0.5 um MIN. Ni
 - CONTACT AREA : 0.1 um MIN. GOLD OVER
 - 0.5 um MIN. Pd-Ni
 - SOLDER TAIL(TIN LEAD OPTION): 2.5 um MIN. Sn-Pb
 - SOLDER TAIL(LEAD FREE OPTION): 2.5 um MIN. PURE TIN

6. DIM "X"

4.25±0.1	3.5±0.1	5.0±0.1
OTHERS	36,67	1,17,34,35,51,68

- IF LEAD FREE P/N. THE HOUSING WILL WITHSTAND EXPOSURE TO 260°C PEAK TEMPERATURE FOR 10 SECONDS IN A WAVE SOLDER APPLICATION WITH A 1.00MM MINIMUM THICK CIRCUIT BOARD.
- LEAD FREE PRODUCT MEETS EUROPEAN UNION DIRECTIVES AND OTHER COUNTRY REGULATIONS AS DISCRIBED IN GS-22-008
- IF LEAD FREE P/N. PACKAGING MEETS GS-14-920 SPECIFICATION

ORDERING INFORMATION

NAME	PART NO.		Q'TY
① EJECT HEADER ASS'Y	10026704-*****	10026704-*****LF	1
② MATING RECEPTACLE	91931-31169	91931-31169LF	1

mat'l code		tolerance unless otherwise specified		CUSTOMER COPY	www.fciconnect.com	
rev.	ecn no.	dr	date	linear angles dr WENDY CHEN 04/18/03 engr SPENCER LAI 04/18/03 chr SCOTT LU 04/18/03 appd JENN TSAO 04/18/03	projection	title
A	T03-0195	WL	05/23/03		mm/inch	EJECTOR HEADER ASS'Y
B	T03-0205	WL	06/05/03		unit	5.0V, SMT TYPE 1/2/3
C	N04-0105	WB	11/26/04		scale	product family pack code
sheet revision				C C C C C C	size	A3
index sheet				1 2 3 4 5 6	dwg no.	10026704
					1:1	sheet 1 of 6

Tous droits et brevets réservés. Toute réimpression ou communication à des tiers sans autorisation écrite du propriétaire. Copyright BERG ELECTRONICS S.A.



All rights strictly reserved. Reproduction or issue to third parties in any form or by any means without written authority from the proprietor. Copyright BERG ELECTRONICS S.A.

PRODUCT NO.
10026704-*****
10026704-*****LF

DESCRIPTION : ABOVE PCB, DECK AND PUSH ROD LOCATION ARE AS VIEW BY USER.

UPPER DECK

① PRODUCT NO.	JOINT WITH LOWER DECK STAND-OFF HIGH(DIM. L)	PUSH ROD LOCATION ③	P.C.B. SIDE ④	P.C.B LAYOUT RECOMMENDED	② MATING RECEPTACLE	MOUNT STYLE TO PCB AND PUSH ROD SIDE
10026704-025CA/025CALF	2.2	RIGHT	ABOVE	SEE DRAWING P/N: TA-1052	↑ RECEPTACLE PART NUMBER: 91931-31169 91931-31169LF ↓	
10026704-045CA/045CALF	4.3					
10026704-055CA/055CALF	5.0					
10026704-125CA/125CALF	2.2	LEFT				
10026704-145CA/145CALF	4.3					
10026704-155CA/155CALF	5.0					
10026704-525CA/525CALF	2.2	RIGHT	BELOW			
10026704-545CA/545CALF	4.3					
10026704-555CA/555CALF	5.0					
10026704-625CA/625CALF	2.2	LEFT				
10026704-645CA/645CALF	4.3					
10026704-655CA/655CALF	5.0					

- NOTES:
- IT CAN'T BE USED FOR SINGLE DECK.
 - IT MUST BE ASSEMBLED BY USER FOR DOUBLE DECK APPLICATION.

mat'l code		tolerance unless otherwise specified		CUSTOMER COPY	 www.fciconnect.com	
rev.	ecn no.	dr	date	linear	projection	title
A						EJECTOR HEADER ASS'Y
C				angles		5.0V, SMT TYPE 1/2/3
				dr	unit	product family
				engr	mm/inch	pack
				chr	scale	size
				appd	1:1	dwg no.
						code
sheet	revision					10026704
index	sheet					sheet
						2 of

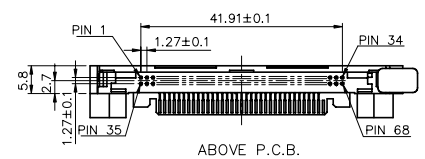
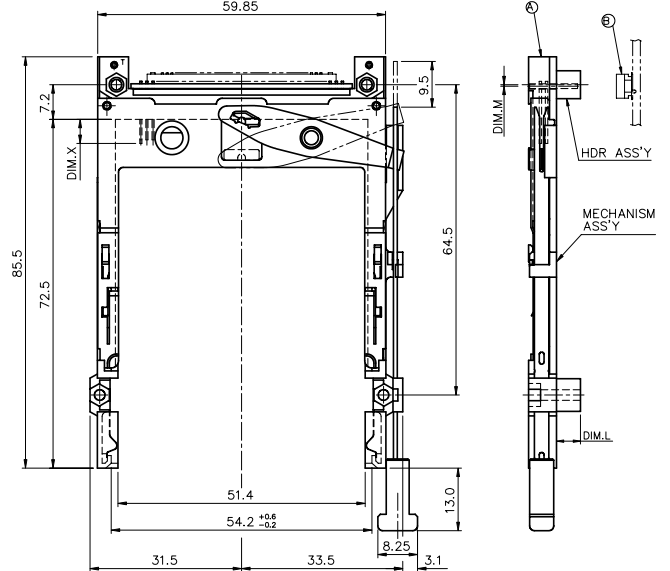
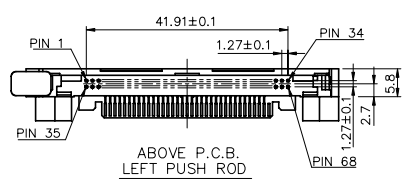
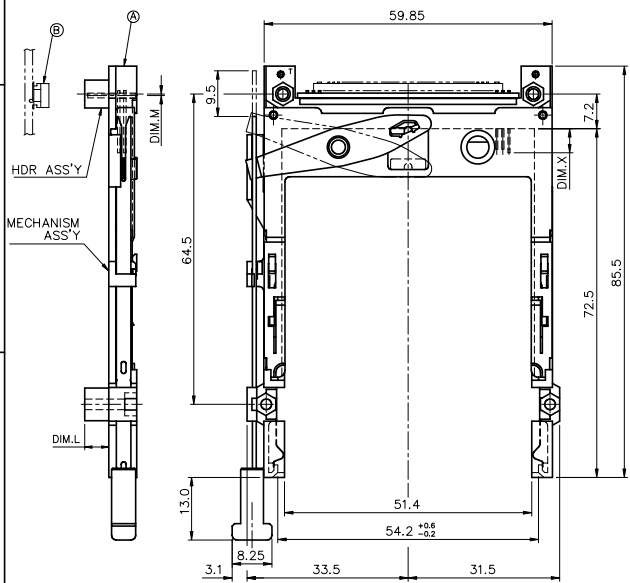
PDM: Rev:C STATUS Released Printed: Oct 12, 2010

Tous droits strictement réservés. Reproduction ou communication à des tiers sans autorisation écrite du propriétaire.
 All rights strictly reserved. Reproduction or communication to third parties in any form without written authority from the proprietor.
 Copyright BERG ELECTRONICS S.A.

All rights strictly reserved. Reproduction or communication to third parties in any form without written authority from the proprietor.
 Copyright BERG ELECTRONICS S.A.

PRODUCT NO.	DIM.M	DIM.L
10026704-120CA/120CALF	2.15	2.2
10026704-140CA/140CALF	-0.3	4.3
10026704-150CA/150CALF	-0.3	5.0

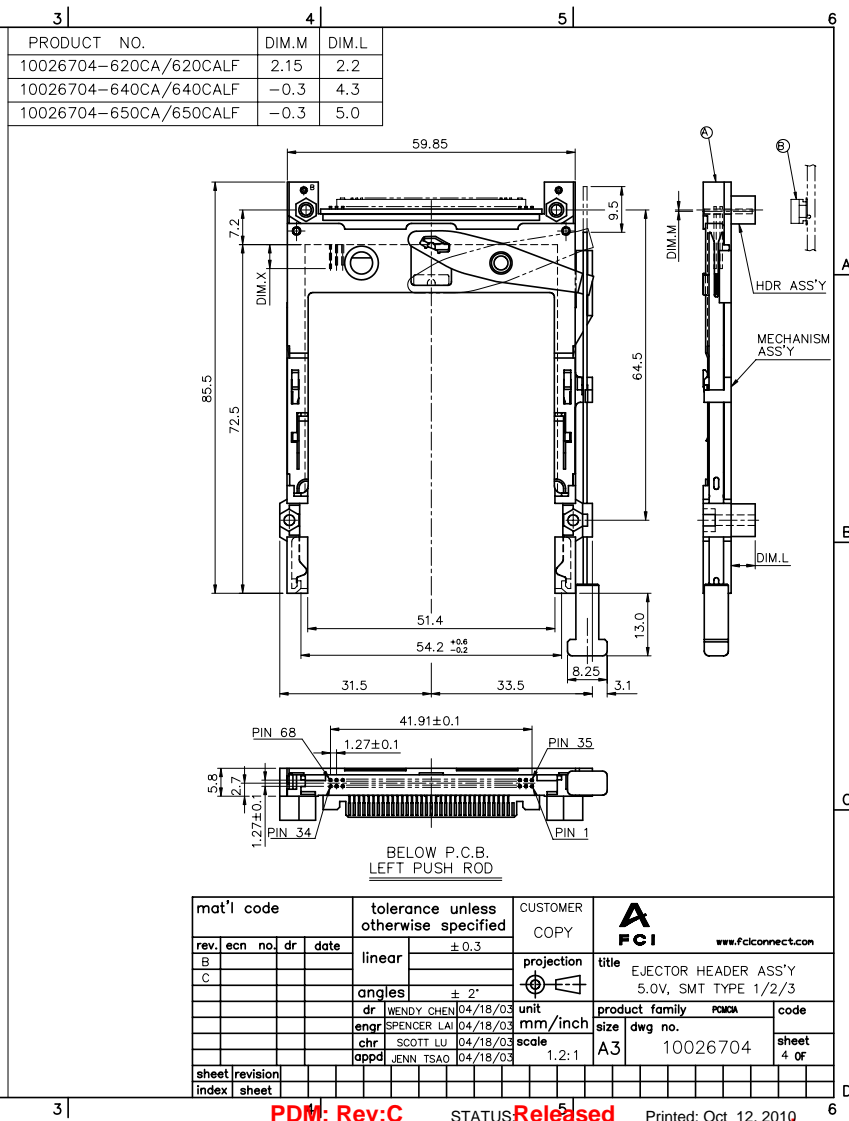
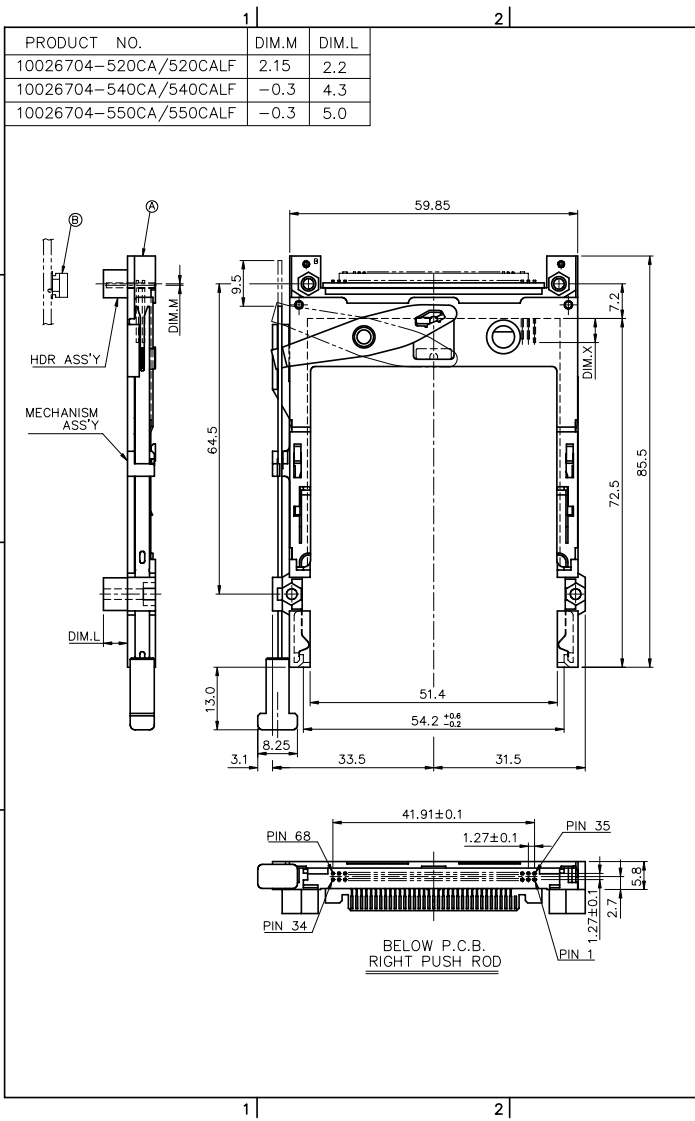
PRODUCT NO.	DIM.M	DIM.L
10026704-020CA/020CALF	2.15	2.2
10026704-040CA/040CALF	-0.3	4.3
10026704-050CA/050CALF	-0.3	5.0



mat'l code				tolerance unless otherwise specified		CUSTOMER COPY		 www.fciconnect.com	
rev.	ecn.	no.	dr.	date	linear	± 0.30	projection	title	
					angles	± 2°		EJECTOR HEADER ASS'Y	
					dr	WENDY CHEN 04/18/03	unit	product family	part no.
					engr	SPENCER LAI 04/18/03	mm/inch	size	dwg no.
					chr	SCOTT LU 04/18/03	scale	A3	10026704
					appd	JENN TSAO 04/18/03	1:2:1		sheet 3 of
sheet	revision								
index	sheet								

PDM: Rev:C STATUS Released Printed: Oct 12, 2010

All rights strictly reserved. Reproduction or issue to third parties in any form or by any means, without written authority from the proprietor.
 Tous droits strictement réservés. Reproduction ou communication à des tiers infirmes sans autorisation écrite du propriétaire.
 Copyright BERG ELECTRONICS S.p.A.
 Droits de reproduction BERG ELECTRONICS S.p.A.



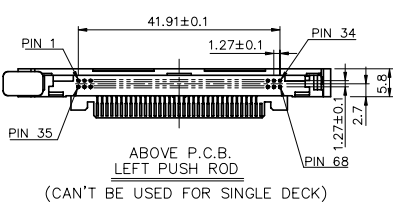
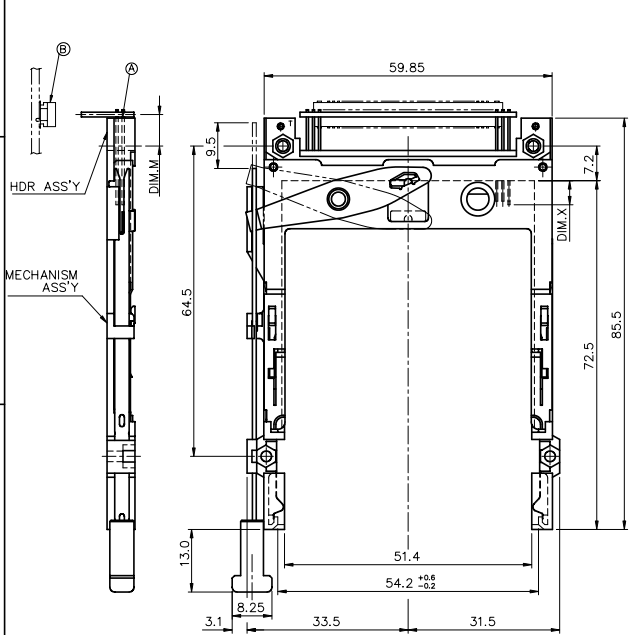
mat'l code		tolerance unless otherwise specified		CUSTOMER COPY		FCI www.fciconnect.com	
rev.	ecn no.	dr	date	linear	±0.3	projection	title
B				angles	± 2°		EJECTOR HEADER ASS'Y
C				dr	WENDY CHEN 04/18/03	unit	5.0V, SMT TYPE 1/2/3
				enrg	SPENCER LAI 04/18/03	mm/inch	product family
				chr	SCOTT LU 04/18/03	scale	10026704
				appd	JENN TSAO 04/18/03	size	A3
sheet	revision					1:2.1	10026704
index	sheet						4 of

PDM: Rev:C STATUS **Released** Printed: Oct 12, 2010

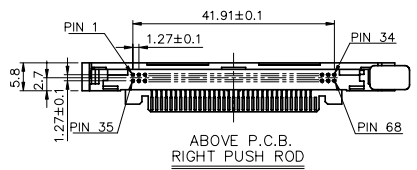
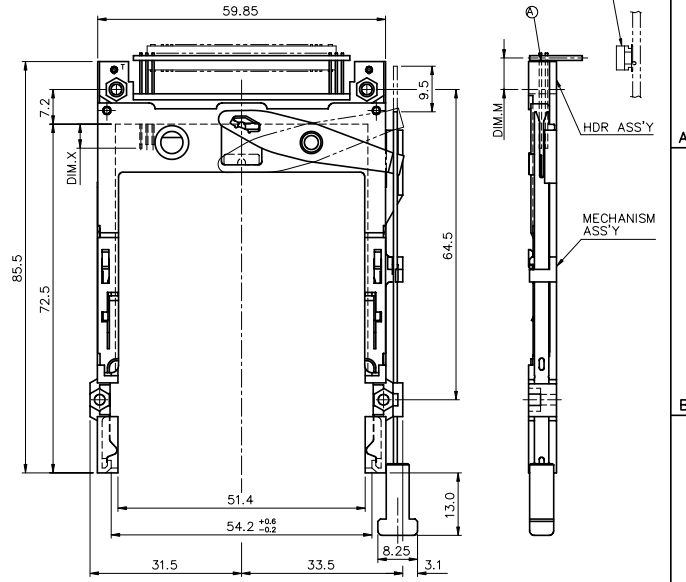
Tous droits strictement réservés. Reproduction ou communication à des tiers sans autorisation écrite du propriétaire.
 All rights strictly reserved. Reproduction or communication to third parties without written authority from the proprietor.
 Copyright BERG ELECTRONICS S.A.

All rights strictly reserved. Reproduction or communication to third parties without written authority from the proprietor.
 Copyright BERG ELECTRONICS S.A.

PRODUCT NO.	DIM.M
10026704-125CA/125CALF	9.0
10026704-145CA/145CALF	6.55
10026704-155CA/155CALF	6.55



PRODUCT NO.	DIM.M
10026704-025CA/025CALF	9.0
10026704-045CA/045CALF	6.55
10026704-055CA/055CALF	6.55



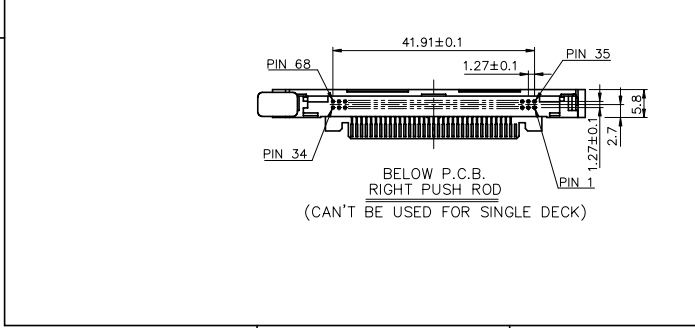
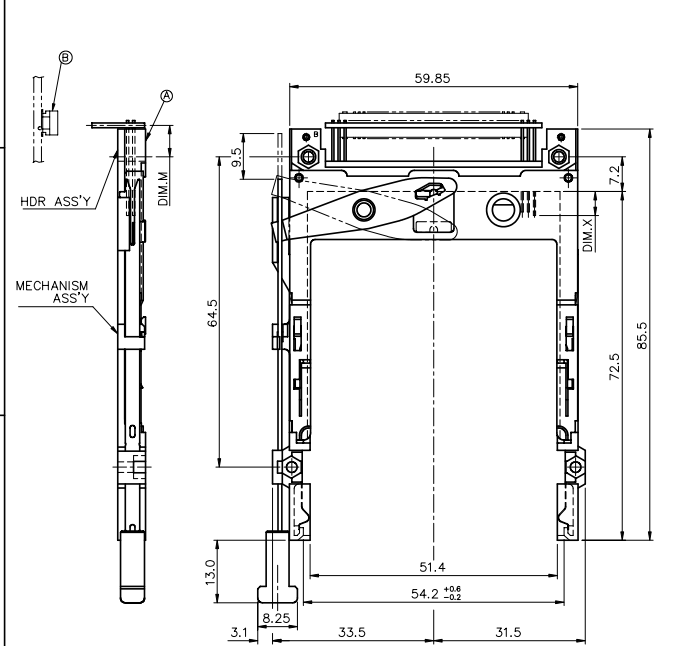
mat'l code		tolerance unless otherwise specified		CUSTOMER COPY		FCI		www.fciconnect.com	
rev.	ecn no.	dr	date	linear	± 0.30	projection	title EJECTOR HEADER ASS'Y		
				angles	± 2°		5.0V, SMT TYPE 1/2/3		
				dr	WENDY CHEN 04/18/03	unit	product family	part no.	code
				engr	SPENCER LAI 04/18/03	mm/inch	size	dwg no.	sheet
				chr	SCOTT LU 04/18/03	scale	A3	10026704	5 of
				appd	JENN TSAO 04/18/03	1:2:1			
sheet	revision								
index	sheet								

PDM: Rev:C STATUS Released Printed: Oct 12, 2010

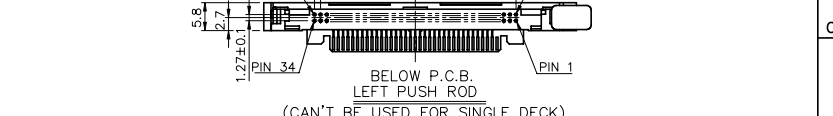
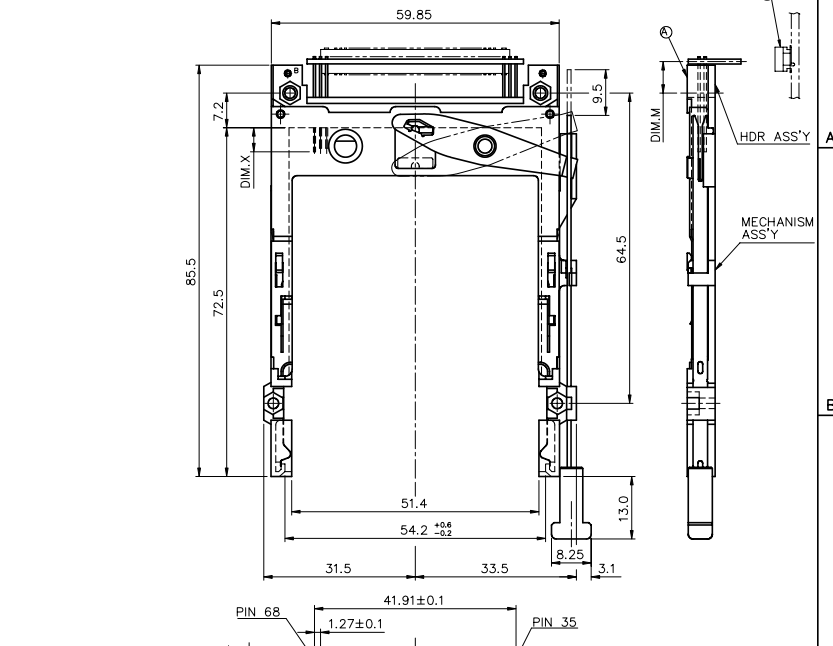
Tous droits strictement réservés. Reproduction ou communication à des tiers sans autorisation écrite du propriétaire.
 All rights strictly reserved. Reproduction or communication to third parties in any form without written authority from the proprietor.
 Copyright BERG ELECTRONICS S.A.
 Droits de reproduction BERG ELECTRONICS S.A.

All rights strictly reserved. Reproduction or communication to third parties in any form without written authority from the proprietor.
 Copyright BERG ELECTRONICS S.A.

PRODUCT NO.	DIM.M
10026704-525CA/525CALF	9.0
10026704-545CA/545CALF	6.55
10026704-555CA/555CALF	6.55



PRODUCT NO.	DIM.M
10026704-625CA/625CALF	9.0
10026704-645CA/645CALF	6.55
10026704-655CA/655CALF	6.55



mat'l code		tolerance unless otherwise specified		CUSTOMER COPY		 www.fciconnect.com	
rev.	ecn no.	dr	date	linear	±0.3	projection	title
				angles	± 2°		EJECTOR HEADER ASS'Y 5.0V, SMT TYPE 1/2/3
				dr	WENDY CHEN 04/18/03	unit	product family
				enrg	SPENCER LAI 04/18/03	mm/inch	size
				chr	SCOTT LU 04/18/03	scale	dwg no.
				appd	JENN TSAO 04/18/03	1:2:1	A3
sheet	revision						product family
index	sheet						10026704
							code
							sheet
							6 of