

GIGABIT ETHERNET MAGNETICS

Low Profile Mini PCI Transformer Modules

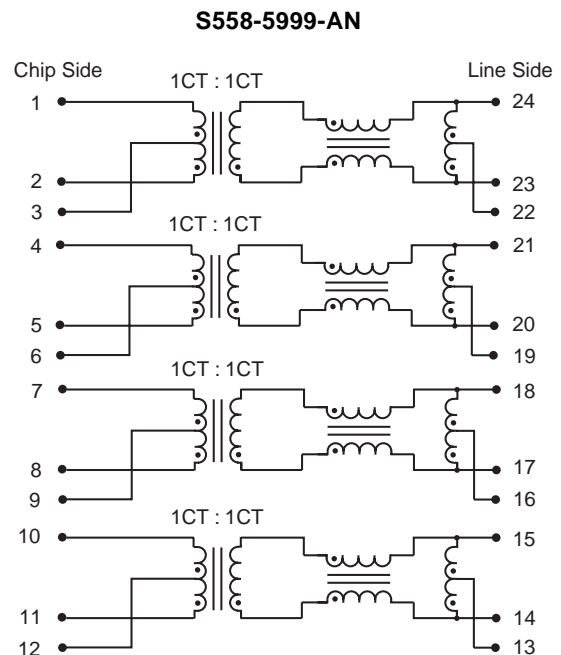
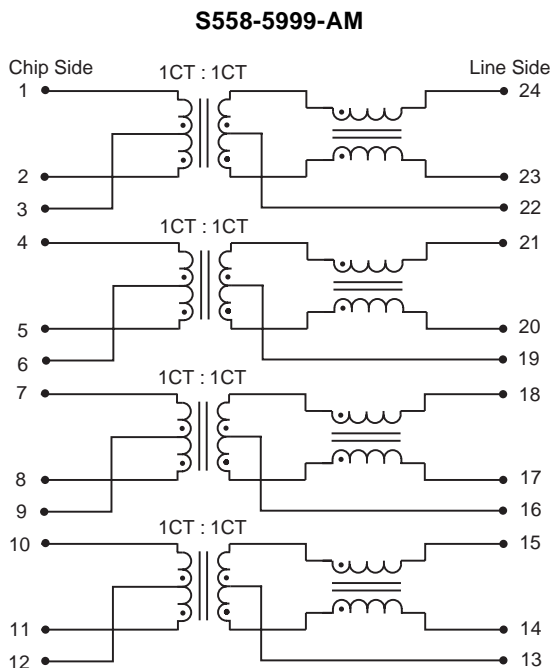
LM02302

- Designed for use with 10/100/1000Base-T transceiver ICs
- PCI and mini PCI card compatible
- Maximized for full duplex applications
- Maximum height of 0.084"
- Supports four pairs of category 5 UTP cable
- Compliant with IEEE 802.3ab
- 350µH OCL with 8mA bias applied from 0° C to 70° C
- IR reflow rating at 225° C peak

ELECTRICAL SPECIFICATIONS AT 25° C

Part Number	Insertion Loss dB max	Return Loss dB min		Common to Common Mode Rejection dB min	Crosstalk dB min	Hipot Vrms min
	0.1MHz to 100MHz	0.5MHz to 40MHz	40MHz to 100MHz	100KHz to 100MHz		
S558-5999-AM	-1.0	-18	12 - 20 log (f/80 MHz)	-30	33 - 20 log (f/50MHz)	1500
S558-5999-AN	-1.0	-18	12 - 20 log (f/80 MHz)	-30	33 - 20 log (f/50MHz)	1500
S558-5999-AZ	-1.0	-18	12 - 20 log (f/80 MHz)	-30	33 - 20 log (f/50MHz)	1500
S558-5999-BA	-1.0	-18	12 - 20 log (f/80 MHz)	-30	33 - 20 log (f/50MHz)	1500

SCHEMATICS

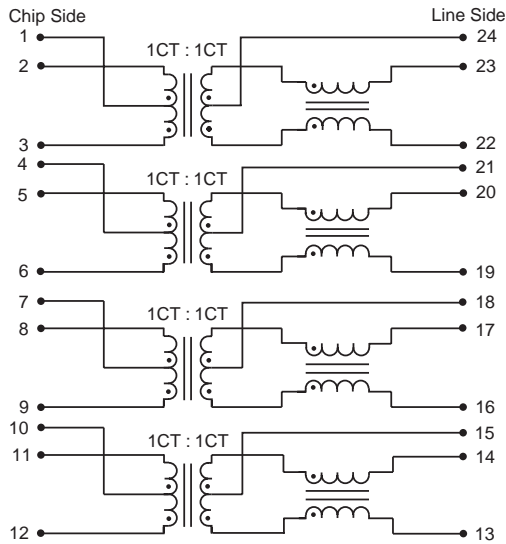


©2002 Bel Fuse Inc. Specifications subject to change without notice. 06.02

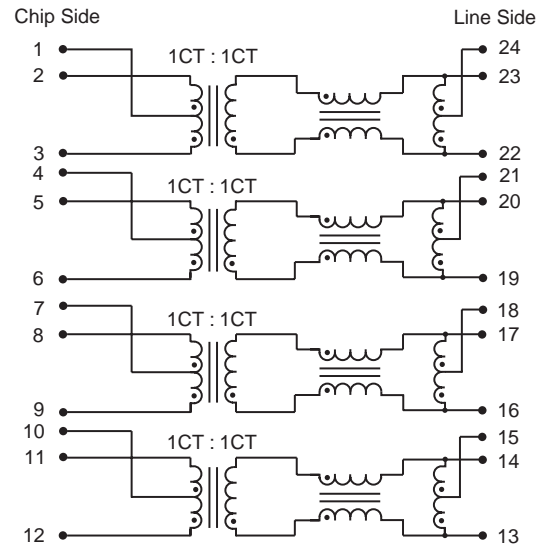
LM02302

SCHEMATIC

S558-5999-AZ

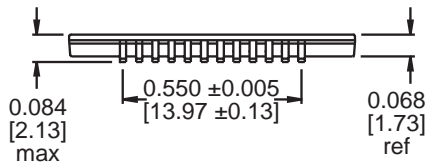
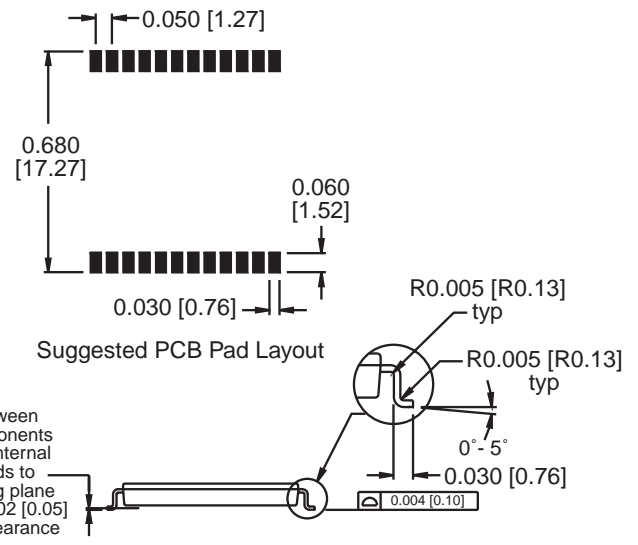
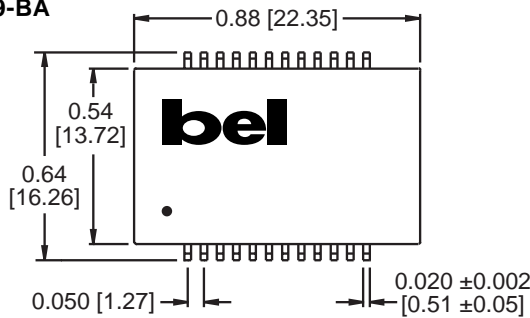


S558-5999-BA



MECHANICAL

- S558-5999-AM
- S558-5999-AN
- S558-5999-AZ
- S558-5999-BA



Dimensions are in inches [millimeters].

Standard dimension tolerance is ± 0.005 [0.13] unless otherwise noted.

©2002 Bel Fuse Inc. Specifications subject to change without notice. 06.02

CORPORATE

Bel Fuse Inc.
206 Van Vorst Street
Jersey City, NJ 07302
Tel 201-432-0463
Fax 201-432-9542
www.belfuse.com

FAR EAST

Bel Fuse Ltd.
8F / 8 Luk Hop Street
San Po Kong
Kowloon, Hong Kong
Tel 852-2328-5515
Fax 852-2352-3706
www.belfuse.com

EUROPE

Bel Fuse Europe Ltd.
Preston Technology Management Centre
Marsh Lane, Suite G7, Preston
Lancashire, PR1 8UD, U.K.
Tel 44-1772-556601
Fax 44-1772-888366
www.belfuse.com