

HALF-PORT GIGABIT ETHERNET MAGNETICS

Low Profile Mini PCI Transformer Modules

LM02303

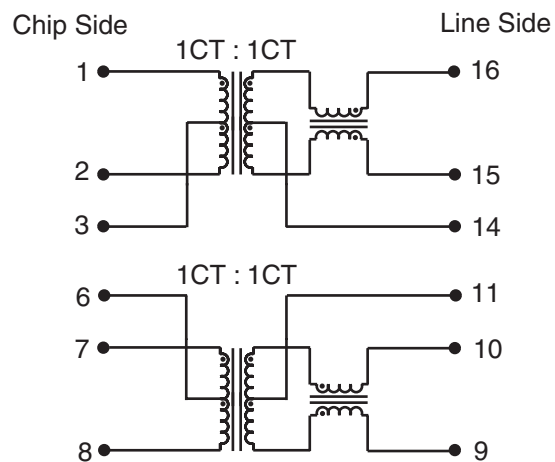
- Ultra low profile package height 0.084" (2.13mm)
- Designed for use with 10/100/1000Base-T transceiver ICs
- Designed for use in symmetrical AutoMDIX TX and RX channels
- Two modules required for single port 1000Base-T
- PCI and mini PCI card compatible
- Maximized for full duplex applications
- Compliant with IEEE 802.3ab
- UL 1950 file number E169987
- CB certificate number 16015
- 350µH OCL with 8mA bias applied from 0° C to 70° C
- IR reflow rating at 225° C peak
- Minimum interwinding breakdown voltage of 1500 Vrms

ELECTRICAL SPECIFICATIONS AT 25° C

| Part Number | Insertion Loss dB max | Return Loss dB min | | Common to Common Mode Rejection dB min | Crosstalk dB min | Hipot Vrms min |
|--------------|--------------------------|-----------------------|---------------------------|--|--------------------------|-------------------|
| | 0.1MHz to 100MHz | 0.5MHz to 40MHz | 40MHz to 100MHz | 100KHz to 100MHz | | |
| S558-5999-BD | -1.0 | -18 | 12 - 20 log (f/80 MHz) | -30 | 33 - 20 log (f/50MHz) | 1500 |

SCHEMATIC

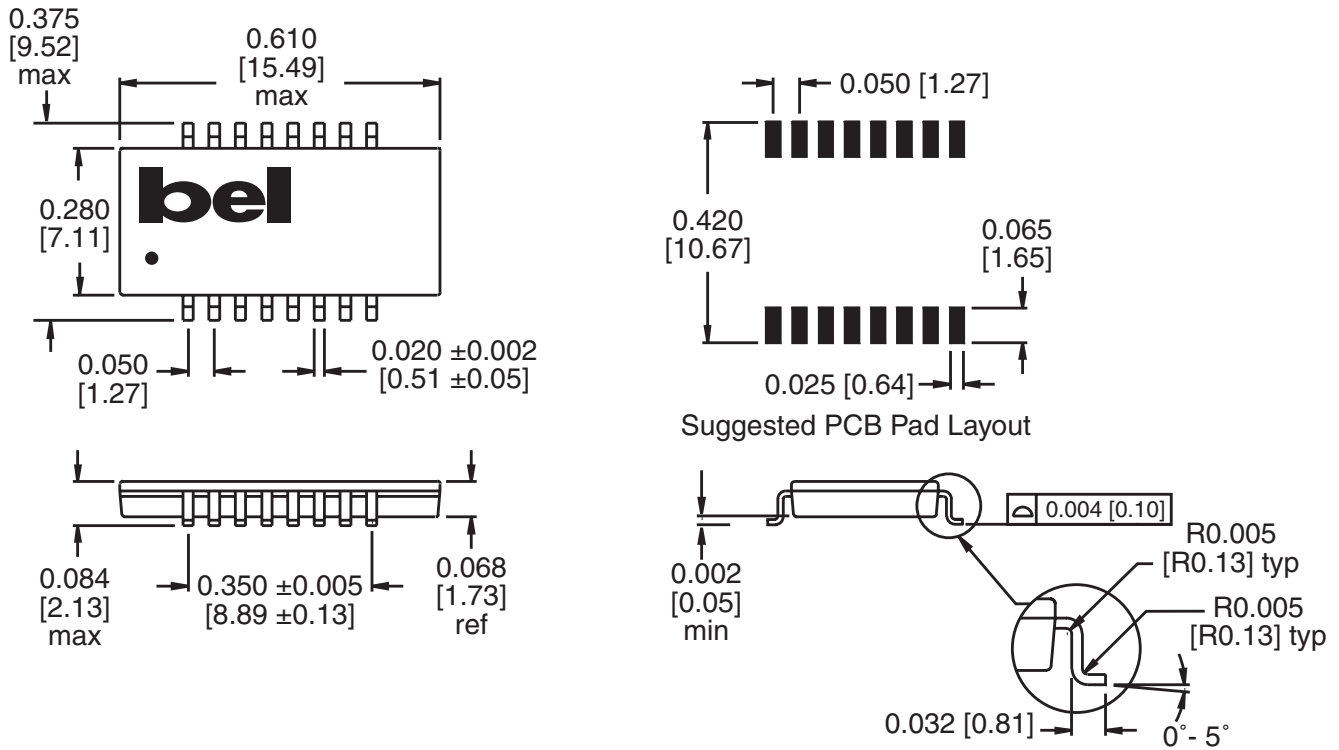
S558-5999-BD



LM02303

MECHANICAL

S558-5999-BD



Dimensions are inches [millimeters].
Standard dimension tolerance is ± 0.005 [0.13] unless otherwise noted.

©2008 Bel Fuse Inc. Specifications subject to change without notice. 03.08

CORPORATE

Bel Fuse Inc.
206 Van Vorst Street
Jersey City, NJ 07302
Tel 201-432-0463
Fax 201-432-9542
www.belfuse.com

Page 2

FAR EAST

Bel Fuse Ltd.
8F / 8 Luk Hop Street
San Po Kong
Kowloon, Hong Kong
Tel 852-2328-5515
Fax 852-2352-3706
www.belfuse.com

EUROPE

Bel Fuse Europe Ltd.
Preston Technology Management Centre
Marsh Lane, Suite G7, Preston
Lancashire, PR1 8UD, U.K.
Tel 44-1772-556601
Fax 44-1772-888366
www.belfuse.com