

HIGH FREQUENCY MAGNETICS

Miniature Broadband Surface Mount Transformers

TM00150

- Minimum interwinding breakdown voltage of 1500 Vrms

ELECTRICAL SPECIFICATIONS at 25° C

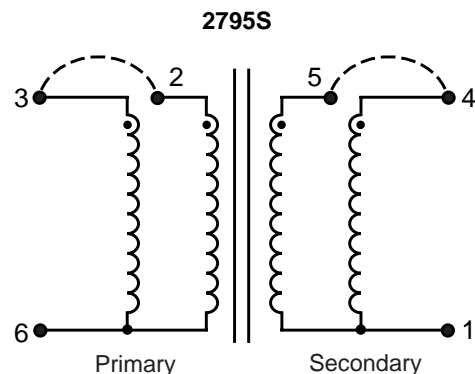
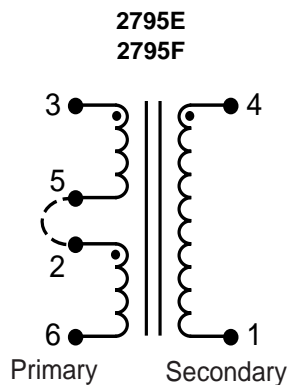
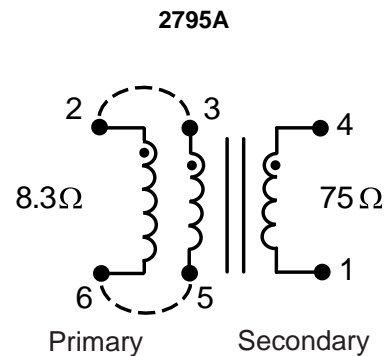
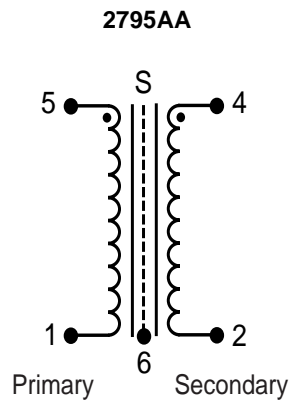
| Part Number | Turns Ratio ± 2% | Primary Inductance ¹ μH min | Leakage Inductance μH max | DCR Ω max | | Interwinding Capacitance pF typ | 3 dB Operating Frequency Spectrum typ |
|-------------|---------------------|---|------------------------------|--------------|------|------------------------------------|---------------------------------------|
| | Pri : Sec | | | Pri | Sec | | |
| 2795AA | 1 : 1 | 27 | 0.22 | 0.3 | 0.3 | 2.0 ² | 0.1 MHz - 100 MHz |
| 2795E | 1CT : 1 | 27 | 0.13 | 0.4 | 0.2 | 19 | 0.1 MHz - 100 MHz |
| 2795S | 1 : 1.15 | 32 | 0.15 | 0.2 | 0.2 | 40 | 0.1 MHz - 100 MHz |
| 2795F | 1CT : 1.75 | 37 ³ | 0.10 | 0.3 | 0.25 | 13 | 0.1 MHz - 100 MHz |
| 2795A | 1 : 3 | 42 ³ | 0.2 ³ | 0.1 | 0.2 | 19 | 0.1 MHz - 100 MHz |

1. Measured at 500 kHz, 0.5 Vac

2. With terminal 6 (shield) grounded

3. Secondary inductance

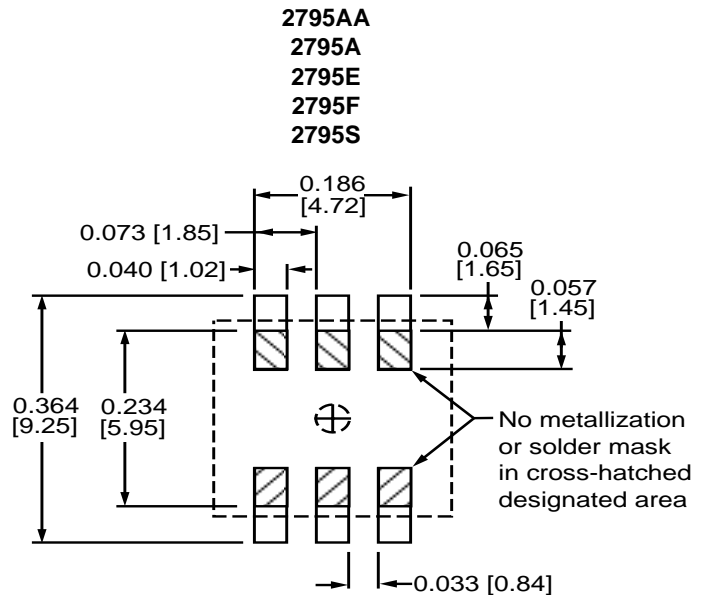
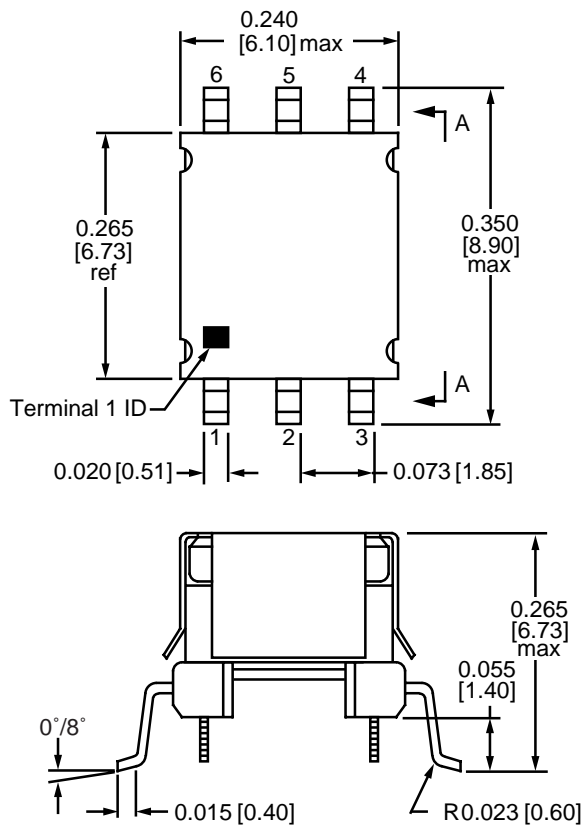
SCHEMATICS



©2000 Bel Fuse Inc. Specifications subject to change without notice. 05.00

TM00150

MECHANICAL



Suggested PCB Pad Layout

Note: Unless otherwise specified, dimensions are nominal and in inches [millimeters].

Supplementary Information

| | |
|-----------------------------|--|
| Operating Temperature Range | -40° C to +85° C |
| Safety Agency Compatibility | Underwriters Laboratories, Inc. UL 1459 |
| Surge Voltage Capability | 10/700 μs; 10 repetitions of alternating polarity |
| Metallic Voltage | 2500 V peak generator output, 25Ω generator resistance |
| Longitudinal Voltage | 2500 V peak generator output, 25Ω generator resistance |
| Flammability Compliance | IEC-695, 2-2 (needle flame test), materials are UL 94 VO approved |
| Qualification Compliance | Bellcore TR-TSY-000357-1 (shock, vibration, temperature cycling, temperature-humidity-bias) |
| Simulation Model | SPICE computer simulation file available on request |
| Surface-Mount Packaging | Tape and Reel; 16 mm wide by 12 mm pitch; 13 inch OD; 4 inch ID 650 transformers per reel, maximum Meets ANSI/EIA 481-2 Carrier Tape Standards—JEDEC SO package |
| Terminal Lead Coplanarity | 0.004 inch [0.10 mm] |
| PWB Process Capability | Standard printed-wiring board assembly and cleaning techniques Standard solder reflow techniques Machine placement (recommendation: locate by terminals, not body) |

©2000 Bel Fuse Inc. Specifications subject to change without notice. 05.00

CORPORATE

Bel Fuse Inc.
 198 Van Vorst Street
 Jersey City, NJ 07302
 Tel 201-432-0463
 Fax 201-432-9542
 www.belfuse.com

FAR EAST

Bel Fuse Ltd.
 8F / 8 Luk Hop Street
 San Po Kong
 Kowloon, Hong Kong
 Tel 852-2328-5515
 Fax 852-2352-3706
 www.belfuse.com

EUROPE

Bel Fuse Europe Ltd.
 Preston Technology Management Centre
 Marsh Lane, Suite G7, Preston
 Lancashire, PR1 8UD, U.K.
 Tel 44-1772-556601
 Fax 44-1772-888366
 www.belfuse.com