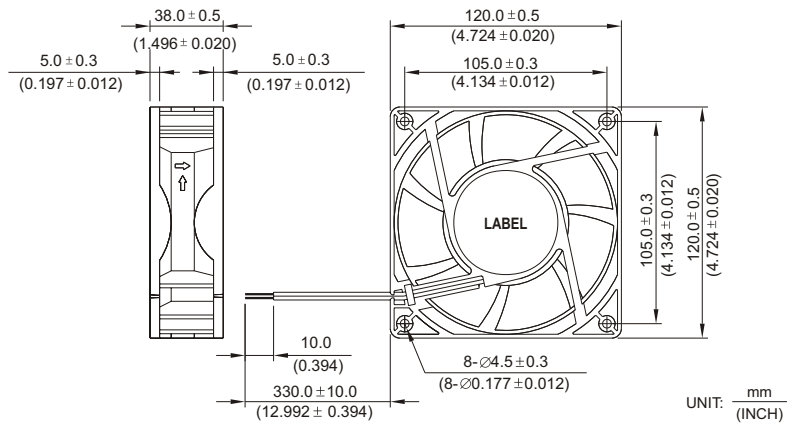


AFB 120 x 120 x 38 MM SERIES

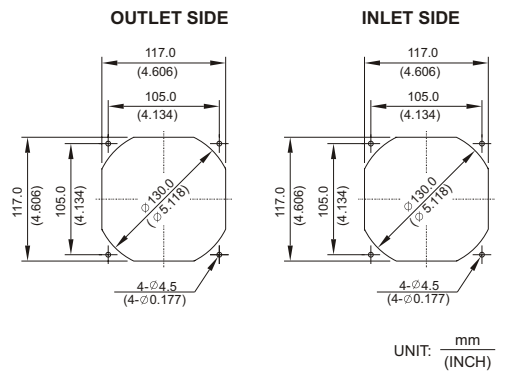
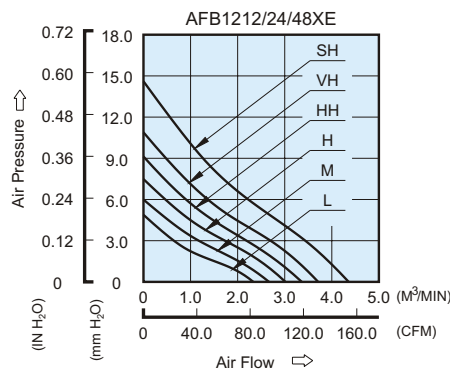
DIMENSIONS DRAWING



- * Bearing Type
Ball Bearings
- * Material
Impeller & Frame : Plastic (UL 94V-0)
- * Lead Wires :
UL 1007 AWG #24 OR Equivalent
Red Wire Positive (+)
Black Wire Negative (-)
- * Weight : 256g (9.03 oz)

P & Q CURVE (AT RATED VOLTAGE)

MOUNTING PANEL CUTOUT



| MODEL | | Rated Voltage | Operating Voltage Range | Rated Current | Rated Input Power | Speed | Maximum Air Flow | | Maximum Air Pressure | | Noise |
|------------|-------------|---------------|-------------------------|---------------|-------------------|--------|---------------------|--------|----------------------|---------------------|-------|
| PART NO. | FUNCTION | VDC | VDC | Amp | Watt | R.P.M. | m ³ /min | CFM | mmH ₂ O | IN H ₂ O | dB-A |
| AFB1212LE | -R00 / -F00 | 12 | 4.0 to 13.2 | 0.19 | 2.28 | 2000 | 2.400 | 84.76 | 4.56 | 0.180 | 34.0 |
| AFB1224LE | -R00 / -F00 | 24 | 7.0 to 27.6 | 0.15 | 3.60 | | | | | | |
| AFB1248LE | -R00 / -F00 | 48 | 28.0 to 56.0 | 0.06 | 2.88 | | | | | | |
| AFB1212ME | -R00 / -F00 | 12 | 4.0 to 13.2 | 0.26 | 3.12 | 2300 | 2.690 | 95.00 | 6.00 | 0.236 | 38.0 |
| AFB1224ME | -R00 / -F00 | 24 | 7.0 to 27.6 | 0.19 | 4.56 | | | | | | |
| AFB1248ME | -R00 / -F00 | 48 | 28.0 to 56.0 | 0.08 | 3.84 | | | | | | |
| AFB1212HE | -R00 / -F00 | 12 | 4.0 to 13.2 | 0.32 | 3.84 | 2600 | 3.000 | 105.94 | 7.60 | 0.300 | 41.0 |
| AFB1224HE | -R00 / -F00 | 24 | 7.0 to 27.6 | 0.24 | 5.76 | | | | | | |
| AFB1248HE | -R00 / -F00 | 48 | 28.0 to 56.0 | 0.12 | 5.76 | | | | | | |
| AFB1212HHE | -R00 / -F00 | 12 | 4.0 to 13.2 | 0.46 | 5.52 | 2900 | 3.400 | 120.07 | 9.00 | 0.354 | 44.0 |
| AFB1224HHE | -R00 / -F00 | 24 | 7.0 to 27.6 | 0.30 | 7.20 | | | | | | |
| AFB1248HHE | -R00 / -F00 | 48 | 28.0 to 56.0 | 0.15 | 7.20 | | | | | | |
| AFB1212VHE | -R00 / -F00 | 12 | 4.0 to 13.2 | 0.60 | 7.20 | 3200 | 3.680 | 129.96 | 10.70 | 0.420 | 48.0 |
| AFB1224VHE | -R00 / -F00 | 24 | 7.0 to 27.6 | 0.38 | 9.12 | | | | | | |
| AFB1248VHE | -R00 / -F00 | 48 | 28.0 to 56.0 | 0.18 | 8.64 | | | | | | |
| AFB1212SHE | -R00 / -F00 | 12 | 4.0 to 13.2 | 1.05 | 12.60 | 3700 | 4.300 | 151.85 | 14.50 | 0.571 | 53.0 |
| AFB1224SHE | -R00 / -F00 | 24 | 7.0 to 27.6 | 0.50 | 12.00 | | | | | | |

* Function type is optional.
 * The max. air flow and the speed are measured in free air ; max. air pressure is measured at zero air flow.
 * Noise is measured in anechoic chamber in free air, one meter from intake side.
 * All readings are typical values at rated voltage.
 * Specifications are subject to change without notice.